

ST-OE3-110DC/ 24DC/500 - Solid-state relay



2911171

<https://www.phoenixcontact.com/us/products/2911171>

Please be informed that the data shown in this PDF document is generated from our online catalog. Please find the complete data in the user documentation. Our general terms of use for downloads are valid.



Pluggable input optocoupler, with light indicator and protection circuits in the input and output circuits, input: 110 V DC, output: short-circuit resistant, 12-35 V DC/max. 500 mA, can be plugged on basic termination blocks

The figure shows version ST-OE 3- 5 DC/24DC/500

Commercial data

Item number	2911171
Packing unit	1 pc
Note	Made to order (non-returnable)
Sales key	C460
Product key	DK61B1
GTIN	4017918079598
Weight per piece (including packing)	27.1 g
Weight per piece (excluding packing)	27.1 g
Customs tariff number	85364900
Country of origin	DE

ST-OE3-110DC/ 24DC/500 - Solid-state relay



2911171

<https://www.phoenixcontact.com/us/products/2911171>

Technical data

Product properties

Product type	Single solid-state relay
Data management status	
Date of last data management	05.09.2025

Electrical properties

Test voltage (Input/output)	2.5 kV AC (Input/output)
-----------------------------	--------------------------

Input data

Nominal input voltage U_N	110 V DC
Input voltage range in reference to U_N	0.9 ... 1.1
Input voltage range	99 V DC ... 121 V DC
Switching threshold "0" signal in reference to U_N	≤ 0.4
Switching threshold "1" signal in reference to U_N	≥ 0.8
Typical input current at U_N	8 mA
Typical response time	50 μ s
Typical turn-off time	200 μ s
Status display	LED (yellow)
Protective circuit	Reverse polarity protection; Polarity protection diode RC element
Transmission frequency	300 Hz

Output data

Design of digital output	electronic
Output voltage range	12 V DC ... 35 V DC
Limiting continuous current	500 mA
Current limitation at short-circuits	620 mA (continued short-circuit resistant)
Voltage drop at max. limiting continuous current	1.5 V
Output circuit	3-conductor, ground-referenced
Status display	LED (red)
Protective circuit	Reverse polarity protection; Polarity protection diode Free running; Freewheeling diode
Output resistor	approx. 50 k Ω

Dimensions

Width	20.8 mm
Height	33 mm
Depth	66.5 mm

Material specifications

Color	green (RAL 6021)
-------	------------------

ST-OE3-110DC/ 24DC/500 - Solid-state relay



2911171

<https://www.phoenixcontact.com/us/products/2911171>

Environmental and real-life conditions

Ambient conditions

Ambient temperature (operation)	-20 °C ... 60 °C
Ambient temperature (storage/transport)	-20 °C ... 70 °C

Standards and regulations

Standards/regulations	DIN VDE 0110
-----------------------	--------------

Mounting

Mounting position	any
-------------------	-----

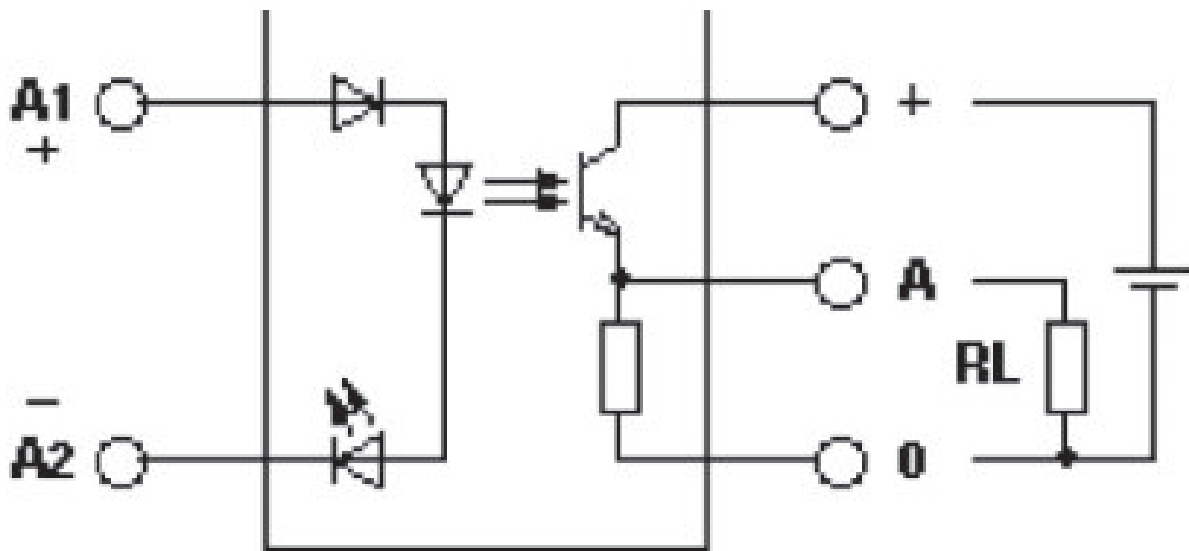
ST-OE3-110DC/ 24DC/500 - Solid-state relay

2911171

<https://www.phoenixcontact.com/us/products/2911171>

Drawings

Circuit diagram



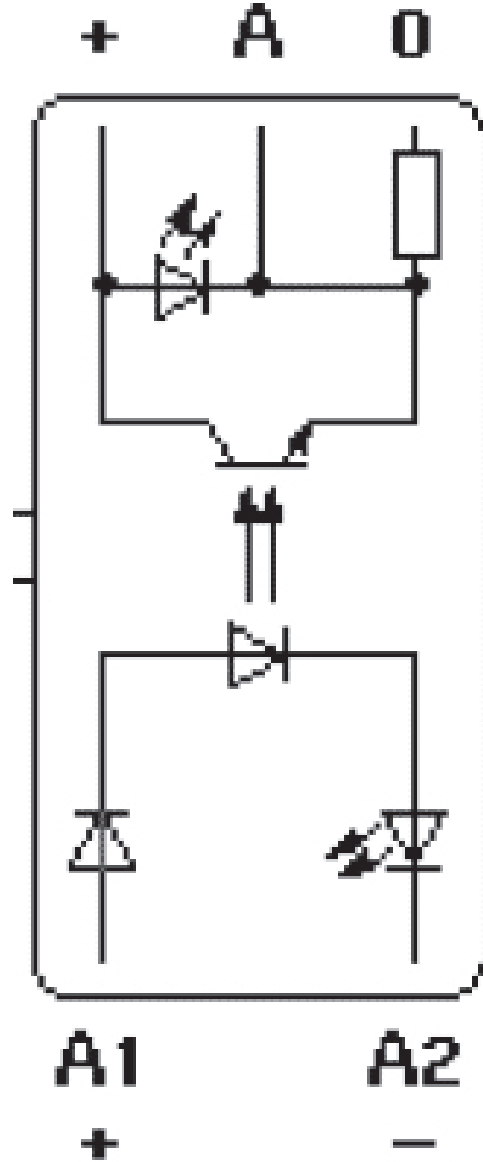
ST-OE3-110DC/ 24DC/500 - Solid-state relay



2911171

<https://www.phoenixcontact.com/us/products/2911171>

Circuit diagram



ST-OE3-110DC/ 24DC/500 - Solid-state relay



2911171

<https://www.phoenixcontact.com/us/products/2911171>

Environmental product compliance

EU REACH SVHC

REACH candidate substance (CAS No.)	
-------------------------------------	--

	No substance above 0.1 wt%
--	----------------------------

Phoenix Contact 2026 © - all rights reserved

<https://www.phoenixcontact.com>

Phoenix Contact USA
586 Fulling Mill Road
Middletown, PA 17057, United States
(+717) 944-1300
info@phoenixcon.com