

# ST-OE3- 5DC/ 24DC/500 - Solid-state relay

2911155

<https://www.phoenixcontact.com/us/products/2911155>

Please be informed that the data shown in this PDF document is generated from our online catalog. Please find the complete data in the user documentation. Our general terms of use for downloads are valid.



Pluggable input optocoupler, with light indicator and protection circuits in the input and output circuits, input: 5 V DC, output: short-circuit resistant, 12-35 V DC/max. 500 mA, can be plugged on basic termination blocks

## Commercial data

Item number	2911155
Packing unit	1 pc
Note	Made to order (non-returnable)
Sales key	NULL
Product key	DK61B1
GTIN	4017918079574
Weight per piece (including packing)	26.53 g
Weight per piece (excluding packing)	26.53 g
Customs tariff number	85364190
Country of origin	DE

## Technical data

### Product properties

Product type	Single solid-state relay
Data management status	
Date of last data management	05.09.2025

### Electrical properties

Test voltage (Input/output)	2.5 kV AC (Input/output)
-----------------------------	--------------------------

### Input data

Nominal input voltage $U_N$	5 V DC
Input voltage range in reference to $U_N$	0.9 ... 1.1
Input voltage range	4.5 V DC ... 5.5 V DC
Switching threshold "0" signal in reference to $U_N$	$\leq 0.4$
Switching threshold "1" signal in reference to $U_N$	$\geq 0.8$
Typical input current at $U_N$	12 mA
Typical response time	50 $\mu$ s
Typical turn-off time	200 $\mu$ s
Status display	LED (yellow)
Protective circuit	Reverse polarity protection; Polarity protection diode RC element
Transmission frequency	300 Hz

### Output data

Design of digital output	electronic
Output voltage range	12 V DC ... 35 V DC
Limiting continuous current	500 mA
Current limitation at short-circuits	620 mA (continued short-circuit resistant)
Voltage drop at max. limiting continuous current	1.5 V
Output circuit	3-conductor, ground-referenced
Status display	LED (red)
Protective circuit	Reverse polarity protection; Polarity protection diode Free running; Freewheeling diode
Output resistor	approx. 50 k $\Omega$

### Dimensions

Width	20.8 mm
Height	33 mm
Depth	66.5 mm

### Material specifications

Color	green (RAL 6021)
-------	------------------

# ST-OE3- 5DC/ 24DC/500 - Solid-state relay



2911155

<https://www.phoenixcontact.com/us/products/2911155>

## Environmental and real-life conditions

### Ambient conditions

Ambient temperature (operation)	-20 °C ... 60 °C
Ambient temperature (storage/transport)	-20 °C ... 70 °C

## Standards and regulations

Standards/regulations	DIN VDE 0110
-----------------------	--------------

## Mounting

Mounting position	any
-------------------	-----

# ST-OE3- 5DC/ 24DC/500 - Solid-state relay

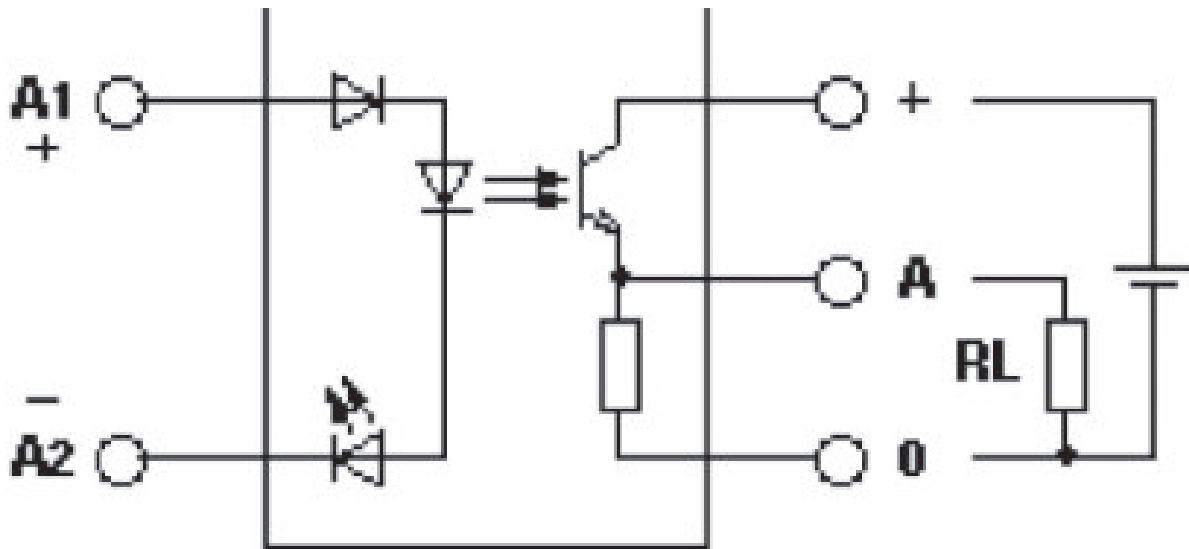


2911155

<https://www.phoenixcontact.com/us/products/2911155>

## Drawings

Circuit diagram





# ST-OE3- 5DC/ 24DC/500 - Solid-state relay



2911155

<https://www.phoenixcontact.com/us/products/2911155>

## Environmental product compliance

EU REACH SVHC

REACH candidate substance (CAS No.)	No substance above 0.1 wt%
-------------------------------------	----------------------------

Phoenix Contact 2026 © - all rights reserved

<https://www.phoenixcontact.com>

Phoenix Contact USA  
586 Fulling Mill Road  
Middletown, PA 17057, United States  
(+717) 944-1300  
[info@phoenixcon.com](mailto:info@phoenixcon.com)