

# ST-OE3- 60DC/ 48DC/100 - Solid-state relay



2911045

<https://www.phoenixcontact.com/us/products/2911045>

Please be informed that the data shown in this PDF document is generated from our online catalog. Please find the complete data in the user documentation. Our general terms of use for downloads are valid.



Plug-in input solid-state relay, with LED and protective circuit in input and output circuits, input: 48 - 60 V DC, output: 8 - 48 V DC/max. 100 mA, can be plugged into basic terminal blocks

The figure shows version ST-OV 3-5 DC/ 48 DC/100

## Commercial data

Item number	2911045
Packing unit	10 pc
Minimum order quantity	1 pc
Note	Made to order (non-returnable)
Sales key	C460
Product key	DK61B1
GTIN	4017918079475
Weight per piece (including packing)	27.93 g
Weight per piece (excluding packing)	27.55 g
Customs tariff number	85364190
Country of origin	DE

## Technical data

### Product properties

Product type	Single solid-state relay
Data management status	
Date of last data management	01.04.2026

### Electrical properties

Test voltage (Input/output)	2.5 kV AC (Input/output)
-----------------------------	--------------------------

### Input data

Nominal input voltage $U_N$	60 V DC
Input voltage range in reference to $U_N$	0.72 ... 1.1
Input voltage range	43.2 V DC ... 66 V DC
Switching threshold "0" signal in reference to $U_N$	$\leq 0.4$
Switching threshold "1" signal in reference to $U_N$	$\geq 0.8$
Typical input current at $U_N$	9 mA
Typical response time	50 $\mu$ s
Typical turn-off time	100 $\mu$ s
Status display	LED (yellow)
Protective circuit	Reverse polarity protection; Polarity protection diode Surge protection
Transmission frequency	300 Hz

### Output data

Design of digital output	electronic
Output voltage range	8 V DC ... 48 V DC
Limiting continuous current	100 mA
Voltage drop at max. limiting continuous current	1.2 V
Output circuit	2-conductor floating, 3-conductor ground-referenced
Protective circuit	Reverse polarity protection; Polarity protection diode Free running; Freewheeling diode
Output resistor	approx. 22 k $\Omega$ (for 3-wire connection)

### Dimensions

#### Item dimensions

Width	20.8 mm
Height	33 mm
Depth	66.5 mm

### Material specifications

Color	green (RAL 6021)
-------	------------------

# ST-OE3- 60DC/ 48DC/100 - Solid-state relay



2911045

<https://www.phoenixcontact.com/us/products/2911045>

## Environmental and real-life conditions

### Ambient conditions

Ambient temperature (operation)	-20 °C ... 60 °C
Ambient temperature (storage/transport)	-20 °C ... 70 °C

## Standards and regulations

Standards/regulations	IEC 60664
	IEC 60664A
	DIN VDE 0110

## Mounting

Mounting position	any
-------------------	-----

# ST-OE3- 60DC/ 48DC/100 - Solid-state relay

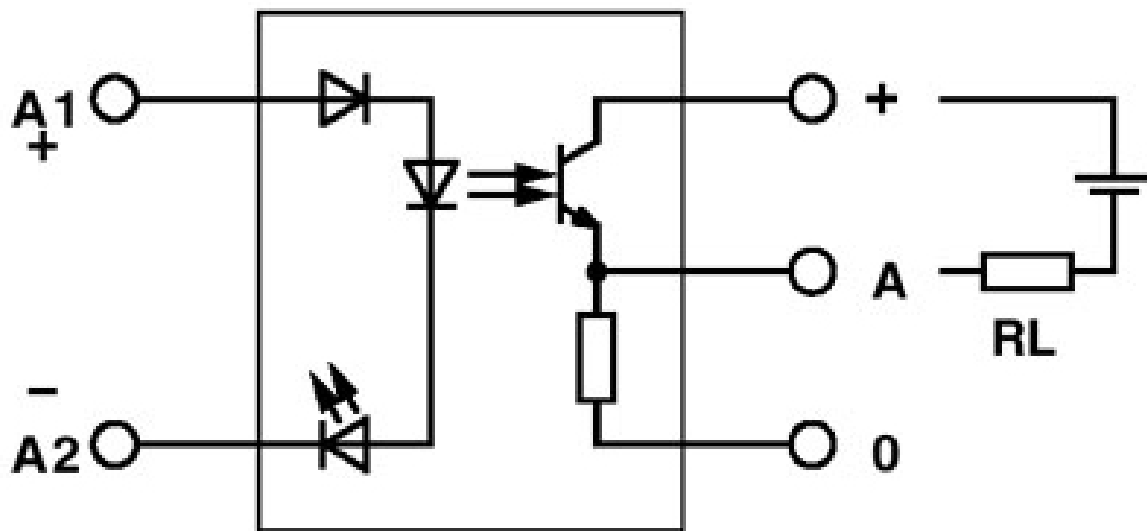


2911045

<https://www.phoenixcontact.com/us/products/2911045>

## Drawings

Circuit diagram



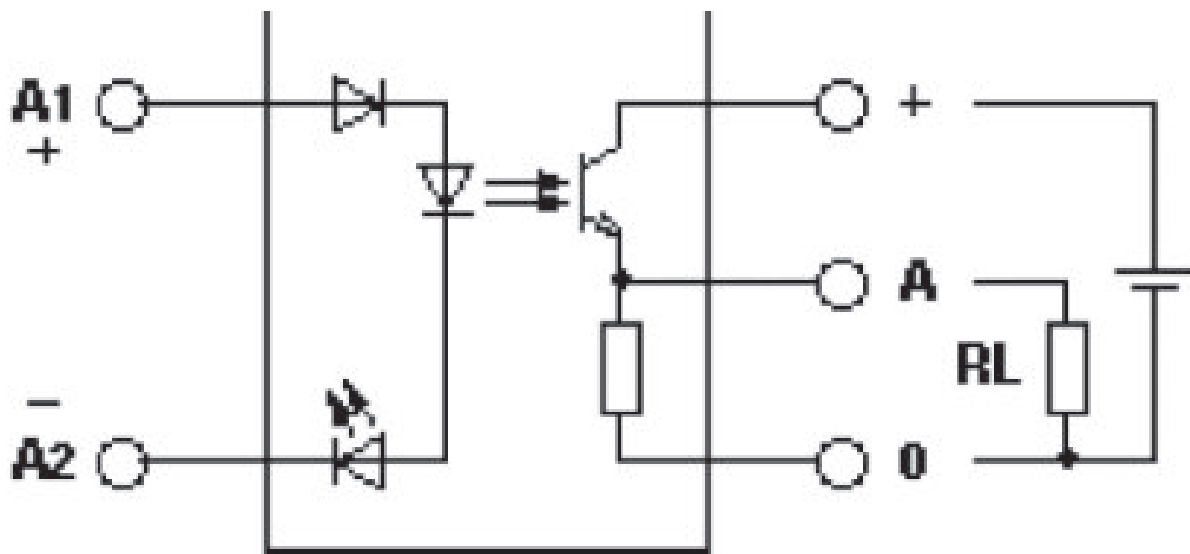
Output: 2-conductor, floating, positive switching

# ST-OE3- 60DC/ 48DC/100 - Solid-state relay

2911045

<https://www.phoenixcontact.com/us/products/2911045>

Circuit diagram

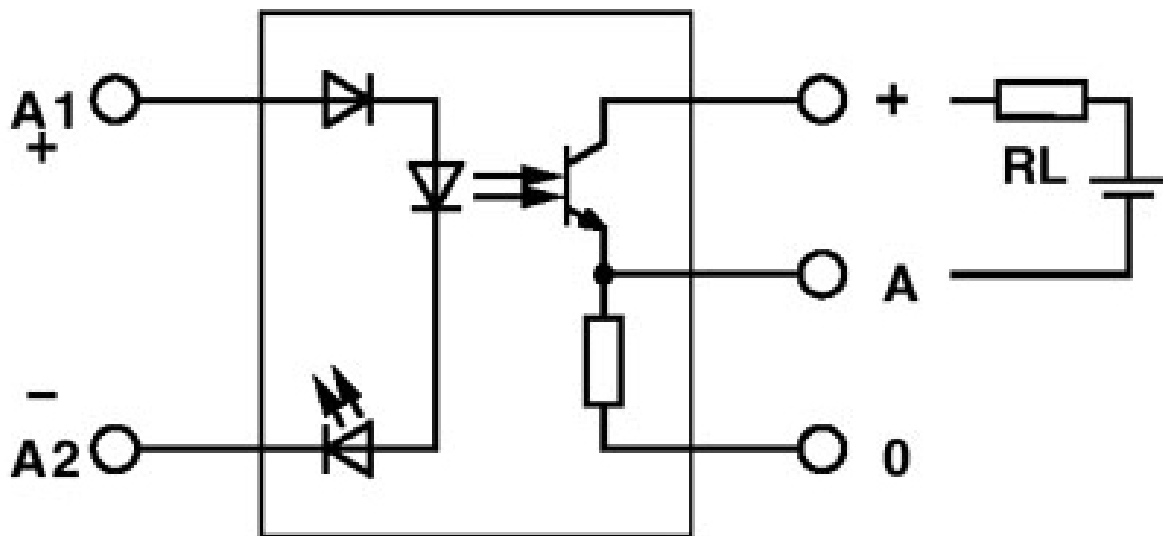


# ST-OE3- 60DC/ 48DC/100 - Solid-state relay

2911045

<https://www.phoenixcontact.com/us/products/2911045>

Circuit diagram



Output: 2-conductor, floating, negative switching

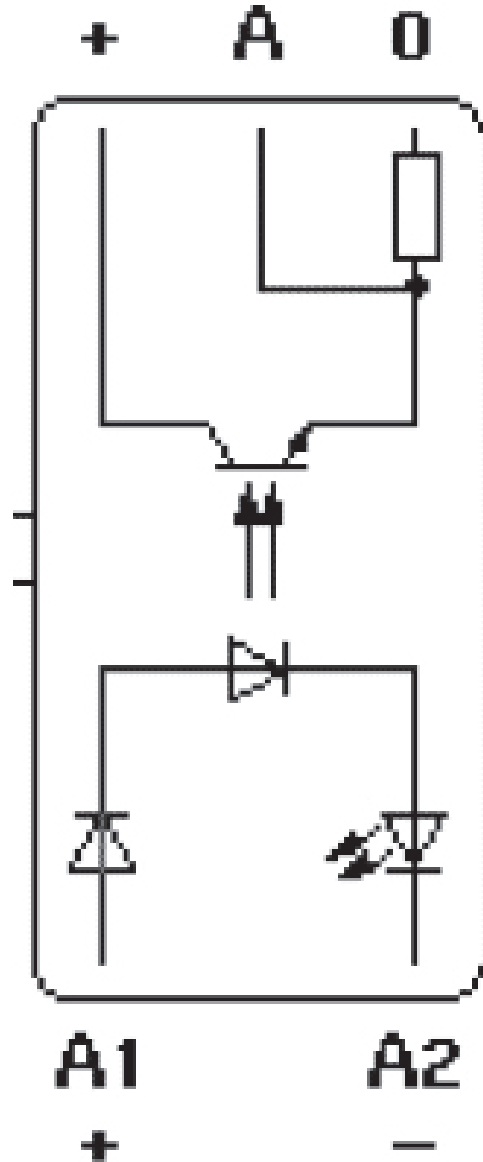
# ST-OE3- 60DC/ 48DC/100 - Solid-state relay

2911045

<https://www.phoenixcontact.com/us/products/2911045>



Circuit diagram



# ST-OE3- 60DC/ 48DC/100 - Solid-state relay



2911045

<https://www.phoenixcontact.com/us/products/2911045>

## Approvals

To download certificates, visit the product detail page: <https://www.phoenixcontact.com/us/products/2911045>



**EAC**

Approval ID: RU\*C-DE.\*08.B.00010

# ST-OE3- 60DC/ 48DC/100 - Solid-state relay



2911045

<https://www.phoenixcontact.com/us/products/2911045>

## Classifications

### ECLASS

ECLASS-13.0	27371604
ECLASS-15.0	27371604

### ETIM

ETIM 10.0	EC001504
-----------	----------

### UNSPSC

UNSPSC 21.0	39122300
-------------	----------

# ST-OE3- 60DC/ 48DC/100 - Solid-state relay



2911045

<https://www.phoenixcontact.com/us/products/2911045>

## Environmental product compliance

### EU RoHS

Fulfills EU RoHS substance requirements	Yes
Exemption	7(a), 7(c)-I

### China RoHS

Environment friendly use period (EFUP)	EFUP-50
	An article-related China RoHS declaration table can be found in the download area for the respective article under "Manufacturer declaration". For all articles with EFUP-E, no China RoHS declaration table issued and required.

### EU REACH SVHC

REACH candidate substance (CAS No.)	Hexahydromethylphthalic anhydride(CAS: n/a)
	Lead(CAS: 7439-92-1)
SCIP	6302956d-4a9d-4c3e-82dc-0ea22831b9ef

### EF3.1 Climate Change

CO2e kg	1.008 kg CO2e
---------	---------------

Phoenix Contact 2026 © - all rights reserved  
<https://www.phoenixcontact.com>

Phoenix Contact USA  
586 Fulling Mill Road  
Middletown, PA 17057, United States  
(+717) 944-1300  
[info@phoenixcon.com](mailto:info@phoenixcon.com)