

ST-OE3-120AC/ 48DC/100 - Solid-state relay



2911032

<https://www.phoenixcontact.com/us/products/2911032>

Please be informed that the data shown in this PDF document is generated from our online catalog. Please find the complete data in the user documentation. Our general terms of use for downloads are valid.



Pluggable input optocoupler, with light indicator and protection circuits in the input and output circuits, input: 120 V AC, output: 8 - 48 V DC/max. 100 mA, can be plugged on basic termination blocks

The figure shows version ST-OV
3- 5 DC/ 48 DC/100

Commercial data

Item number	2911032
Packing unit	1 pc
Note	Made to order (non-returnable)
Sales key	C460
Product key	DK61B1
GTIN	4017918079468
Weight per piece (including packing)	26.51 g
Weight per piece (excluding packing)	26.51 g
Customs tariff number	85364900
Country of origin	DE

ST-OE3-120AC/ 48DC/100 - Solid-state relay



2911032

<https://www.phoenixcontact.com/us/products/2911032>

Technical data

Product properties

Product type	Solid-state relay module
Data management status	
Date of last data management	01.04.2026

Electrical properties

Test voltage (Input/output)	2.5 kV AC (Input/output)
-----------------------------	--------------------------

Input data

Nominal input voltage U_N	120 V AC
Input voltage range in reference to U_N	0.9 ... 1.1
Input voltage range	108 V AC ... 132 V AC
Switching threshold "0" signal in reference to U_N	≤ 0.4
Switching threshold "1" signal in reference to U_N	≥ 0.8
Typical input current at U_N	8 mA
Typical response time	20 ms
Typical turn-off time	20 ms
Status display	LED (yellow)
Protective circuit	Reverse polarity protection; Polarity protection diode Surge protection
Transmission frequency	3 Hz

Output data

Design of digital output	electronic
Output voltage range	8 V DC ... 48 V DC
Limiting continuous current	100 mA
Voltage drop at max. limiting continuous current	1.2 V
Output circuit	2-conductor floating, 3-conductor ground-referenced
Protective circuit	Reverse polarity protection; Polarity protection diode Free running; Freewheeling diode
Output resistor	approx. 22 k Ω (for 3-wire connection)

Dimensions

Width	20.8 mm
Height	33 mm
Depth	66.5 mm

Material specifications

Color	green (RAL 6021)
-------	------------------

Environmental and real-life conditions

ST-OE3-120AC/ 48DC/100 - Solid-state relay



2911032

<https://www.phoenixcontact.com/us/products/2911032>

Ambient conditions

Ambient temperature (operation)	-20 °C ... 60 °C
---------------------------------	------------------

Standards and regulations

Standards/regulations	IEC 60664
	IEC 60664A
	DIN VDE 0110

Mounting

Mounting position	any
-------------------	-----

ST-OE3-120AC/ 48DC/100 - Solid-state relay

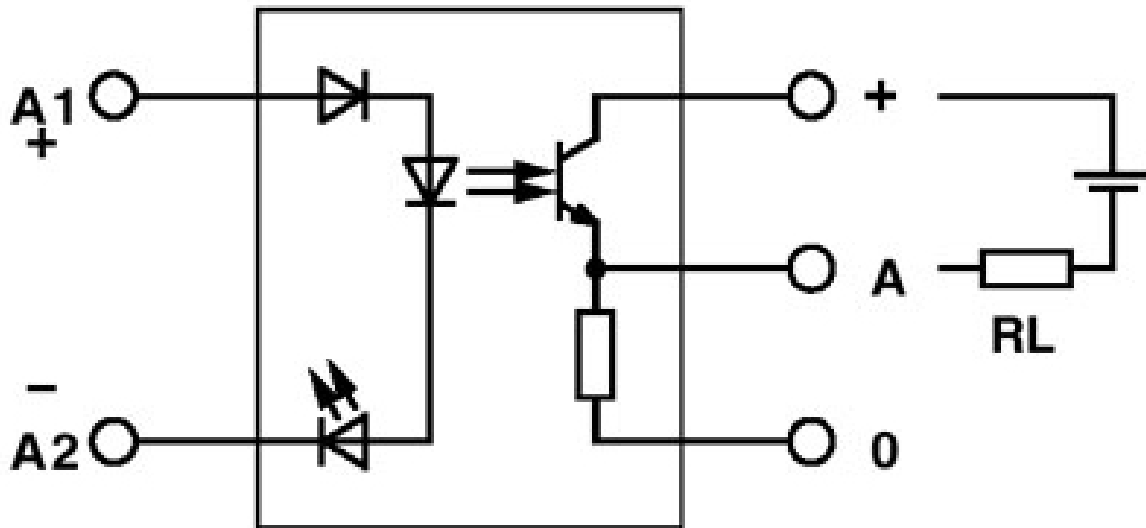


2911032

<https://www.phoenixcontact.com/us/products/2911032>

Drawings

Circuit diagram



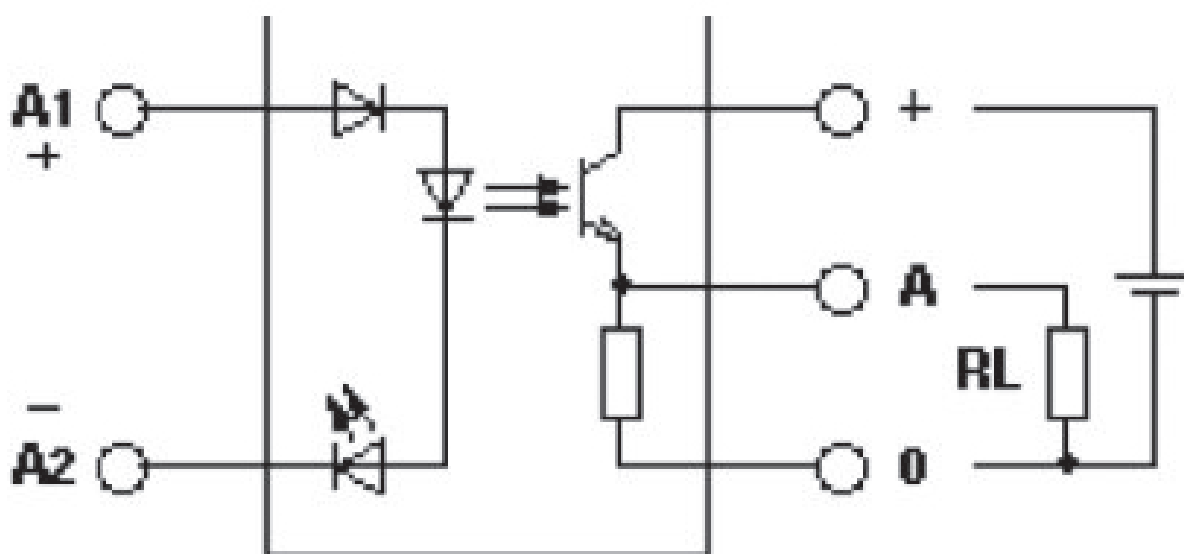
Output: 2-conductor, floating, positive switching

ST-OE3-120AC/ 48DC/100 - Solid-state relay

2911032

<https://www.phoenixcontact.com/us/products/2911032>

Circuit diagram

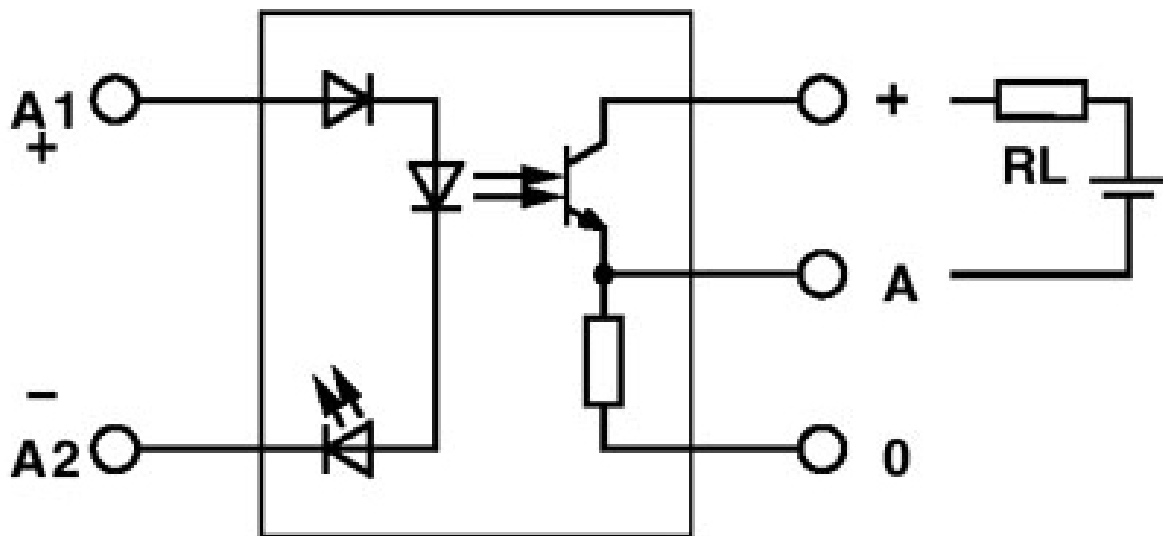


ST-OE3-120AC/ 48DC/100 - Solid-state relay

2911032

<https://www.phoenixcontact.com/us/products/2911032>

Circuit diagram



Output: 2-conductor, floating, negative switching

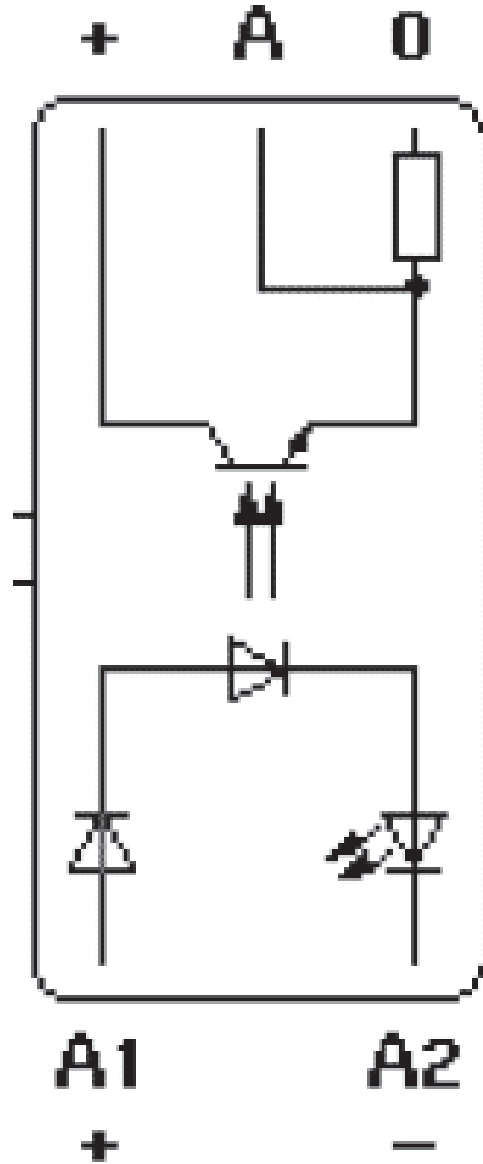
ST-OE3-120AC/ 48DC/100 - Solid-state relay

2911032

<https://www.phoenixcontact.com/us/products/2911032>



Circuit diagram



ST-OE3-120AC/ 48DC/100 - Solid-state relay



2911032

<https://www.phoenixcontact.com/us/products/2911032>

Environmental product compliance

EU REACH SVHC

REACH candidate substance (CAS No.)	No substance above 0.1 wt%
-------------------------------------	----------------------------

Phoenix Contact 2026 © - all rights reserved

<https://www.phoenixcontact.com>

Phoenix Contact USA
586 Fulling Mill Road
Middletown, PA 17057, United States
(+717) 944-1300
info@phoenixcon.com