

PLC-RSC- 24DC/2X21/FG - Relay module



2910535

<https://www.phoenixcontact.com/us/products/2910535>

Please be informed that the data shown in this PDF document is generated from our online catalog. Please find the complete data in the user documentation. Our general terms of use for downloads are valid.



PLC-INTERFACE, consisting of a relay base and plug-in safety relay with force-guided contacts in accordance with DIN EN 61810-3, Screw connection, 2 changeover contacts, forcibly actuated, Freewheeling diode, Input voltage: 24 V DC

Product description

The force-guided coupling relay module is approved for industrial control equipment in accordance with UL 508 (cULus listed). The requirements for type A in accordance with DIN EN 61810-3 are satisfied if the circuit is designed as 1 N/O contact / 1 N/C contact.

Commercial data

| | |
|--------------------------------------|---------------|
| Item number | 2910535 |
| Packing unit | 10 pc |
| Minimum order quantity | 10 pc |
| Sales key | C461 |
| Product key | DK623J |
| GTIN | 4055626486864 |
| Weight per piece (including packing) | 80 g |
| Weight per piece (excluding packing) | 64 g |
| Customs tariff number | 85364190 |
| Country of origin | DE |

Technical data

Product properties

| | |
|-------------------------|---------------------------------------|
| Product type | Relay Module |
| Product family | PLC-INTERFACE |
| Application | Forcibly guided contacts |
| Operating mode | 100% operating factor |
| Mechanical service life | approx. 10^7 cycles |
| B _{10d} (AC1) | 600000 Cycles (250 V / 6 A; 1 NO) |
| | 900000 Cycles (250 V / 3 A; 1 NO) |
| | 1800000 Cycles (250 V / 1,5 A; 1 NO) |
| B _{10d} (AC15) | 180000 Cycles (250 V / 3 A; 1 NO) |
| | 560000 Cycles (250 V / 2 A; 1 NO) |
| | 4600000 Cycles (250 V / 0,75 A; 1 NO) |
| B _{10d} (DC13) | 360000 Cycles (24 V / 3 A; 1 NO) |
| | 740000 Cycles (24 V / 1,5 A; 1 NO) |
| | 4200000 Cycles (24 V / 0,75 A; 1 NO) |

Insulation characteristics: Standards/regulations

| | |
|----------------------|---------------------------------------|
| Insulation | Safe isolation, reinforced insulation |
| Overvoltage category | III |
| Pollution degree | 2 |

Data management status

| | |
|------------------------------|------------|
| Date of last data management | 01.04.2026 |
|------------------------------|------------|

Electrical properties

| | |
|------------------------------------------------------|------------------------------------------------------------------------------|
| Maximum power dissipation for nominal condition | 0.72 W |
| Test voltage (Winding/contact) | 4 kV _{rms} (50 Hz, 1 min., winding/contact) |
| Test voltage (Changeover contact/changeover contact) | 2.5 kV _{rms} (50 Hz, 1 min., changeover contact/changeover contact) |

Standards/regulations

| | |
|--------------------------|----------|
| Rated insulation voltage | 250 V AC |
| Rated surge voltage | 6 kV |

Input data

Coil side

| | |
|------------------------------------------------------|---------------------------------|
| Nominal input voltage U _N | 24 V DC |
| Input voltage range | 20.2 V DC ... 32.4 V DC (20 °C) |
| Input voltage range in reference to U _N | see diagram |
| Nominal voltage (plugged-in electromechanical relay) | 24 V DC |
| Drive and function | monostable |
| Drive (polarity) | polarized |
| Typical input current at U _N | 30 mA |

PLC-RSC- 24DC/2X21/FG - Relay module



2910535

<https://www.phoenixcontact.com/us/products/2910535>

| | |
|---------------------------|--------------------|
| Typical response time | 10 ms |
| Typical release time | 10 ms |
| Protective circuit | Freewheeling diode |
| Operating voltage display | Yellow LED |

Output data

Switching

| | |
|-----------------------------------------------------|------------------------------------------|
| Contact switching type | 2 changeover contacts, forcibly actuated |
| Type of switch contact | Single contact |
| Contact material | AgNi |
| Maximum switching voltage | 250 V AC/DC |
| Minimum switching voltage | 5 V (10 mA) |
| Limiting continuous current | 6 A |
| Maximum inrush current | 6 A |
| Min. switching current | 10 mA (5 V) |
| Interrupting rating (ohmic load) max. | 144 W (24 V DC) |
| | 288 W (48 V DC) |
| | 88 W (110 V DC) |
| | 110 W (220 V DC) |
| | 1500 VA (250 V AC) |
| Switching power min. | 150 mW |
| Switching capacity | 3 A (24 V (DC13)) |
| | 3 A (230 V, AC15) |
| Force-guided contacts in accordance with EN 61810-3 | Type B |

Connection data

| | |
|----------------------------------|---------------------------------------------------------------|
| Connection method | Screw connection |
| Stripping length | 8 mm |
| Screw thread | M3 |
| Conductor cross-section rigid | 0.14 mm ² ... 2.5 mm ² |
| Conductor cross-section flexible | 0.14 mm ² ... 2.5 mm ² |
| | 0.2 mm ² ... 2.5 mm ² (Single ferrule) |
| | 2x 0.5 mm ² ... 1.5 mm ² (TWIN ferrule) |
| Conductor cross-section AWG | 26 ... 14 |
| Tightening torque | 0.6 Nm ... 0.8 Nm |

Dimensions

Item dimensions

| | |
|--------|--------|
| Width | 14 mm |
| Height | 80 mm |
| Depth | 104 mm |

Material specifications

PLC-RSC- 24DC/2X21/FG - Relay module



2910535

<https://www.phoenixcontact.com/us/products/2910535>

| | |
|-------|-----------------|
| Color | gray (RAL 7042) |
|-------|-----------------|

Environmental and real-life conditions

Ambient conditions

| | |
|----------------------------------------------|--------------------------------|
| Degree of protection (Relay) | RT II (Relay) |
| Degree of protection (Relay base) | IP20 (Relay base) |
| Degree of protection (Installation location) | ≥ IP54 (Installation location) |
| Ambient temperature (operation) | -20 °C ... 60 °C |
| Ambient temperature (storage/transport) | -20 °C ... 85 °C |
| Altitude | ≤ 2000 m |

Approvals

CE

| | |
|-------------|--------------|
| Certificate | CE-compliant |
|-------------|--------------|

UKCA

| | |
|-------------|----------------|
| Certificate | UKCA-compliant |
|-------------|----------------|

UL, USA

| | |
|----------------|-------------------|
| Identification | UL 508 |
| | UL 508 Recognized |

UL, USA/Canada

| | |
|----------------|-------------------|
| Identification | UL 508 |
| | UL 508 Recognized |

Shipbuilding approval

| | |
|-------------|------------|
| Certificate | TAE0000196 |
|-------------|------------|

Corrosive gas test

| | |
|----------------|----------------------------|
| Identification | ISA-S71.04. G3 Harsh Group |
| | EN 60068-2-60 |

Shipbuilding data

| | |
|-------------|-----------------------------------------------------------------------------------------|
| Temperature | D |
| Humidity | A |
| Vibration | B/C |
| EMC | B |
| Enclosure | Required protection according to the Rules shall be provided upon installation on board |

EMC data

| | |
|-------------------------------|----------------------------------------|
| Electromagnetic compatibility | Conformance with EMC directive |
| Low Voltage Directive | Conformance with Low Voltage Directive |

Standards and regulations

PLC-RSC- 24DC/2X21/FG - Relay module



2910535

<https://www.phoenixcontact.com/us/products/2910535>

Standards/regulations

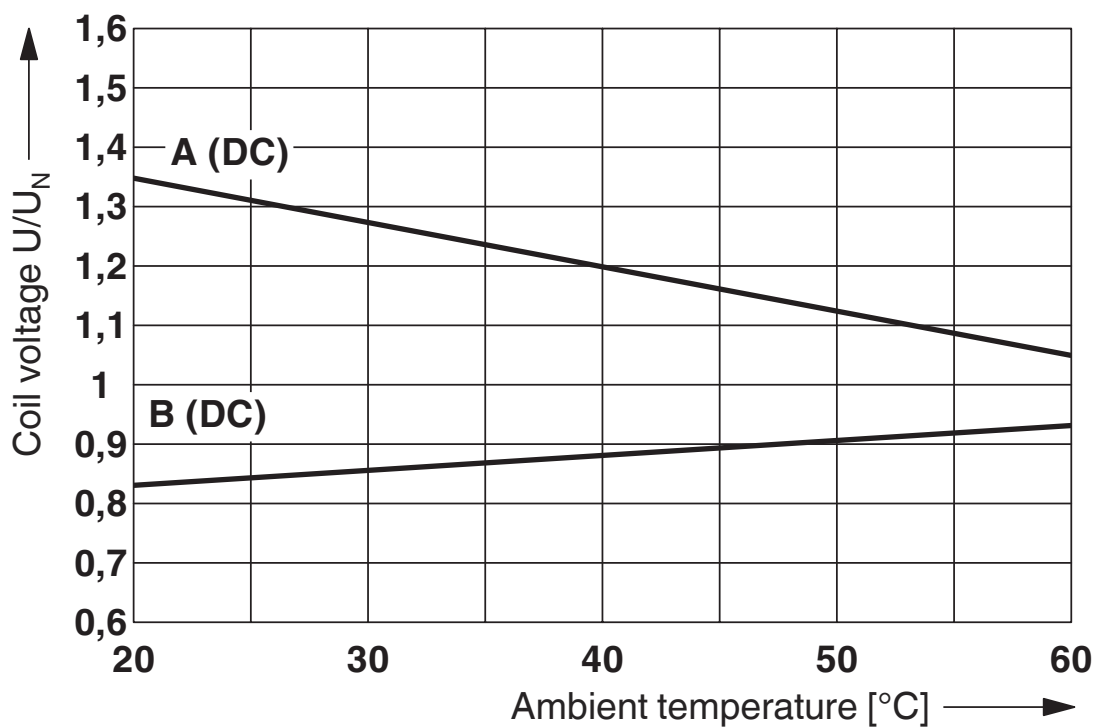
| | |
|-----------------------|----------------|
| Standards/regulations | IEC 60947-5-1 |
| | DIN EN 61810-3 |

Mounting

| | |
|-------------------|---------------------------|
| Mounting type | DIN rail mounting |
| Assembly note | in rows with zero spacing |
| Mounting position | any |

Drawings

Diagram



Curve A: maximum continuous voltage at limiting continuous current

Curve B: minimum pick-up voltage for pre-excitation with U_N and limiting continuous current

Diagram



Permissible humidity for operation and storage.

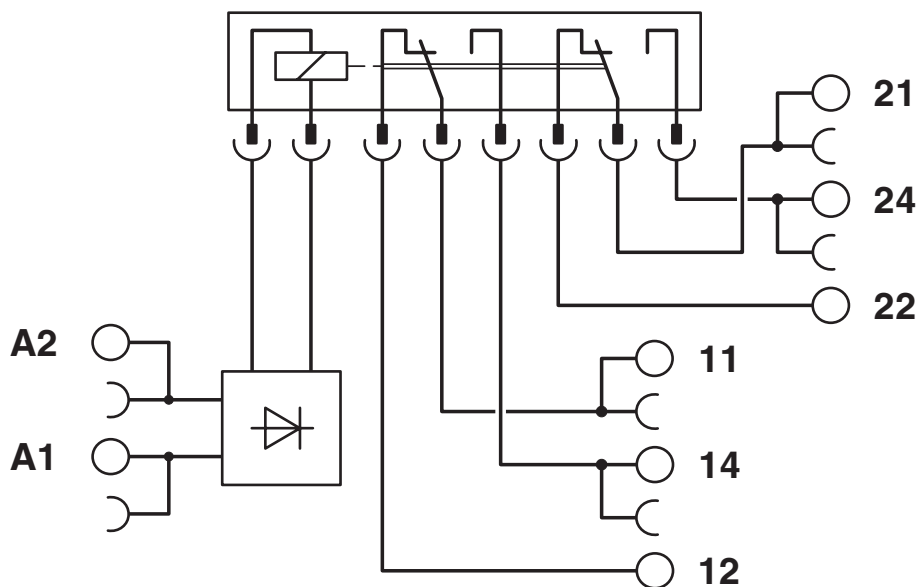
The maximum permissible ambient temperature as specified in the data sheet must be observed.

Area A: Ice buildup at ambient temperatures $\leq 0^{\circ}\text{C}$ must be prevented

Area B: Condensation at ambient temperatures $> 0^{\circ}\text{C}$ must be prevented

On 30 full days that are naturally distributed across an entire year, a humidity level of 95% is permissible at an ambient temperature $\leq 25^{\circ}\text{C}$.

Circuit diagram



PLC-RSC- 24DC/2X21/FG - Relay module



2910535

<https://www.phoenixcontact.com/us/products/2910535>

Approvals

To download certificates, visit the product detail page: <https://www.phoenixcontact.com/us/products/2910535>



EAC

Approval ID: RU*C-DE.*08.B.00010



DNV GL

Approval ID: TAE0000196



cULus Listed

Approval ID: E140324



cULus Listed

Approval ID: E140324

PLC-RSC- 24DC/2X21/FG - Relay module



2910535

<https://www.phoenixcontact.com/us/products/2910535>

Classifications

ECLASS

| | |
|-------------|----------|
| ECLASS-13.0 | 27371601 |
| ECLASS-15.0 | 27371601 |

ETIM

| | |
|-----------|----------|
| ETIM 10.0 | EC001437 |
|-----------|----------|

UNSPSC

| | |
|-------------|----------|
| UNSPSC 21.0 | 39122300 |
|-------------|----------|

PLC-RSC- 24DC/2X21/FG - Relay module



2910535

<https://www.phoenixcontact.com/us/products/2910535>

Environmental product compliance

EU RoHS

| | |
|-----------------------------------------|--------------|
| Fulfills EU RoHS substance requirements | Yes |
| Exemption | 7(a), 7(c)-I |

China RoHS

| | |
|----------------------------------------|-----------------------------------------------------------------------------------------------------------------------------------------------------------------------------------------------------------------------------------|
| Environment friendly use period (EFUP) | EFUP-50 |
| | An article-related China RoHS declaration table can be found in the download area for the respective article under "Manufacturer declaration". For all articles with EFUP-E, no China RoHS declaration table issued and required. |

EU REACH SVHC

| | |
|-------------------------------------|---------------------------------------------|
| REACH candidate substance (CAS No.) | Hexahydromethylphthalic anhydride(CAS: n/a) |
| | Lead(CAS: 7439-92-1) |
| SCIP | 3b9416de-058b-4bd1-bcb1-6a6388430581 |

EF3.1 Climate Change

| | |
|---------|---------------|
| CO2e kg | 0.756 kg CO2e |
|---------|---------------|

Phoenix Contact 2026 © - all rights reserved
<https://www.phoenixcontact.com>

Phoenix Contact USA
586 Fulling Mill Road
Middletown, PA 17057, United States
(+717) 944-1300
info@phoenixcon.com