

PLC-RPT- 48DC/21-21AU/MS - Relay module



2910527

<https://www.phoenixcontact.com/us/products/2910527>

Please be informed that the data shown in this PDF document is generated from our online catalog. Please find the complete data in the user documentation. Our general terms of use for downloads are valid.



PLC-INTERFACE, consisting of a relay base and pluggable multilayer gold contact relay with manual operation, integrated status LED and freewheeling diode, Push-in connection, 2 changeover contacts, Bridge rectifier, Input voltage: 48 V DC

Commercial data

| | |
|--------------------------------------|--------------------------------|
| Item number | 2910527 |
| Packing unit | 1 pc |
| Note | Made to order (non-returnable) |
| Sales key | C461 |
| Product key | DK623D |
| GTIN | 4055626486789 |
| Weight per piece (including packing) | 68 g |
| Weight per piece (excluding packing) | 64 g |
| Customs tariff number | 85364190 |
| Country of origin | DE |

PLC-RPT- 48DC/21-21AU/MS - Relay module



2910527

<https://www.phoenixcontact.com/us/products/2910527>

Set consists of

PLC-BPT- 48DC/21-21/H - Relay base

1012006

<https://www.phoenixcontact.com/us/products/1012006>



14 mm PLC basic terminal block without relay, for mounting on DIN rail NS 35/7,5, Push-in connection, 2 changeover contacts, Input voltage 48 V DC

REL-MR- 24DC/21-21AU/MS - Single relay

2987985

<https://www.phoenixcontact.com/us/products/2987985>



Plug-in miniature relay, with multi-layer contact with hard gold coating, 2 changeover contacts, test button, mechanical switching position indicator, status LED, freewheeling diode, polarity A1+, A2-, input voltage 24 V DC

Technical data

Product properties

| | |
|-------------------------|---------------------------|
| Product type | Relay Module |
| Product family | PLC-INTERFACE |
| Application | Palm switch |
| Operating mode | 100% operating factor |
| Mechanical service life | 5x 10 ⁶ cycles |

Insulation characteristics: Standards/regulations

| | |
|----------------------|---------------------------------------|
| Insulation | Safe isolation, reinforced insulation |
| Overvoltage category | III |
| Pollution degree | 2 |

Data management status

| | |
|------------------------------|------------|
| Date of last data management | 12.09.2025 |
|------------------------------|------------|

Electrical properties

| | |
|--|--|
| Test voltage (Winding/contact) | 4 kV _{rms} (50 Hz, 1 min., winding/contact) |
| Test voltage (Changeover contact/changeover contact) | 2.5 kV _{rms} (50 Hz, 1 min., changeover contact/changeover contact) |

Standards/regulations

| | |
|--------------------------|----------|
| Rated insulation voltage | 250 V AC |
| Rated surge voltage | 6 kV |

Input data

Coil side

| | |
|---|---------------------------------|
| Nominal input voltage U _N | 48 V DC |
| Input voltage range | 40.3 V DC ... 62.4 V DC (20 °C) |
| Drive and function | monostable |
| Drive (polarity) | non-polarized |
| Typical input current at U _N | 19 mA |
| Typical response time | 6 ms |
| Typical release time | 10 ms |
| Protective circuit | Bridge rectifier |
| Operating voltage display | Yellow LED |

Output data

Switching

| | |
|---------------------------|------------------------|
| Contact switching type | 2 changeover contacts |
| Type of switch contact | Single contact |
| Contact material | AgNi, hard gold-plated |
| Maximum switching voltage | 30 V AC |

PLC-RPT- 48DC/21-21AU/MS - Relay module



2910527

<https://www.phoenixcontact.com/us/products/2910527>

| | |
|-----------------------------|-------------|
| | 36 V DC |
| Minimum switching voltage | 12 V (1 mA) |
| Limiting continuous current | 50 mA |
| Maximum inrush current | 50 mA |
| Min. switching current | 1 mA (12 V) |

Switching: when the gold layer is destroyed

| | |
|---------------------------------------|--|
| Note | the following values are applicable if a gold layer is destroyed |
| Maximum switching voltage | 250 V AC/DC |
| Minimum switching voltage | 12 V (10 mA) |
| Limiting continuous current | 6 A |
| Maximum inrush current | 12 A (20 ms) |
| Min. switching current | 10 mA (12 V) |
| Interrupting rating (ohmic load) max. | 192 W (24 V DC) |
| | 62 W (48 V DC) |
| | 42 W (60 V DC) |
| | 55 W (110 V DC) |
| | 66 W (220 V DC) |
| | 2000 VA (250 V AC) |
| Switching capacity | 1 A (24 V (DC13)) |
| | 1.5 A (230 V, AC15) |

Connection data

| | |
|----------------------------------|--|
| Connection method | Push-in connection |
| Stripping length | 10 mm |
| Conductor cross-section rigid | 0.14 mm ² ... 2.5 mm ² |
| Conductor cross-section flexible | 0.14 mm ² ... 2.5 mm ² |
| | 0.2 mm ² ... 2.5 mm ² (Single ferrule) |
| | 2x 0.5 mm ² ... 1 mm ² (TWIN ferrule) |
| Conductor cross-section AWG | 26 ... 14 |

Dimensions

| | |
|--------|--------|
| Width | 14 mm |
| Height | 80 mm |
| Depth | 104 mm |

Material specifications

| | |
|--|-----------------|
| Color | gray (RAL 7042) |
| Flammability rating according to UL 94 (Housing) | V0 (Housing) |

Environmental and real-life conditions

Ambient conditions

| | |
|------------------------------|---------------|
| Degree of protection (Relay) | RT II (Relay) |
|------------------------------|---------------|

PLC-RPT- 48DC/21-21AU/MS - Relay module



2910527

<https://www.phoenixcontact.com/us/products/2910527>

| | |
|--|--------------------------------|
| Degree of protection (Relay base) | IP20 (Relay base) |
| Degree of protection (Installation location) | ≥ IP54 (Installation location) |
| Ambient temperature (operation) | -20 °C ... 60 °C |
| Ambient temperature (storage/transport) | -20 °C ... 85 °C |
| Altitude | ≤ 2000 m |

Approvals

CE

| | |
|-------------|--------------|
| Certificate | CE-compliant |
|-------------|--------------|

UKCA

| | |
|-------------|----------------|
| Certificate | UKCA-compliant |
|-------------|----------------|

UL, USA

| | |
|----------------|-------------------|
| Identification | UL 508 |
| | UL 508 Recognized |

UL, USA/Canada

| | |
|----------------|-------------------|
| Identification | UL 508 |
| | UL 508 Recognized |

Shipbuilding approval

| | |
|-------------|------------|
| Certificate | TAE0000196 |
|-------------|------------|

Corrosive gas test

| | |
|----------------|----------------------------|
| Identification | ISA-S71.04. G3 Harsh Group |
| | EN 60068-2-60 |

Shipbuilding data

| | |
|-------------|---|
| Temperature | D |
| Humidity | A |
| Vibration | B/C |
| EMC | B |
| Enclosure | Required protection according to the Rules shall be provided upon installation on board |

EMC data

| | |
|-------------------------------|--|
| Electromagnetic compatibility | Conformance with EMC directive |
| Low Voltage Directive | Conformance with Low Voltage Directive |

Standards and regulations

Standards/regulations

| | |
|-----------------------|----------|
| Standards/regulations | EN 50178 |
|-----------------------|----------|

Mounting

| | |
|---------------|---------------------------|
| Mounting type | DIN rail mounting |
| Assembly note | in rows with zero spacing |

PLC-RPT- 48DC/21-21AU/MS - Relay module



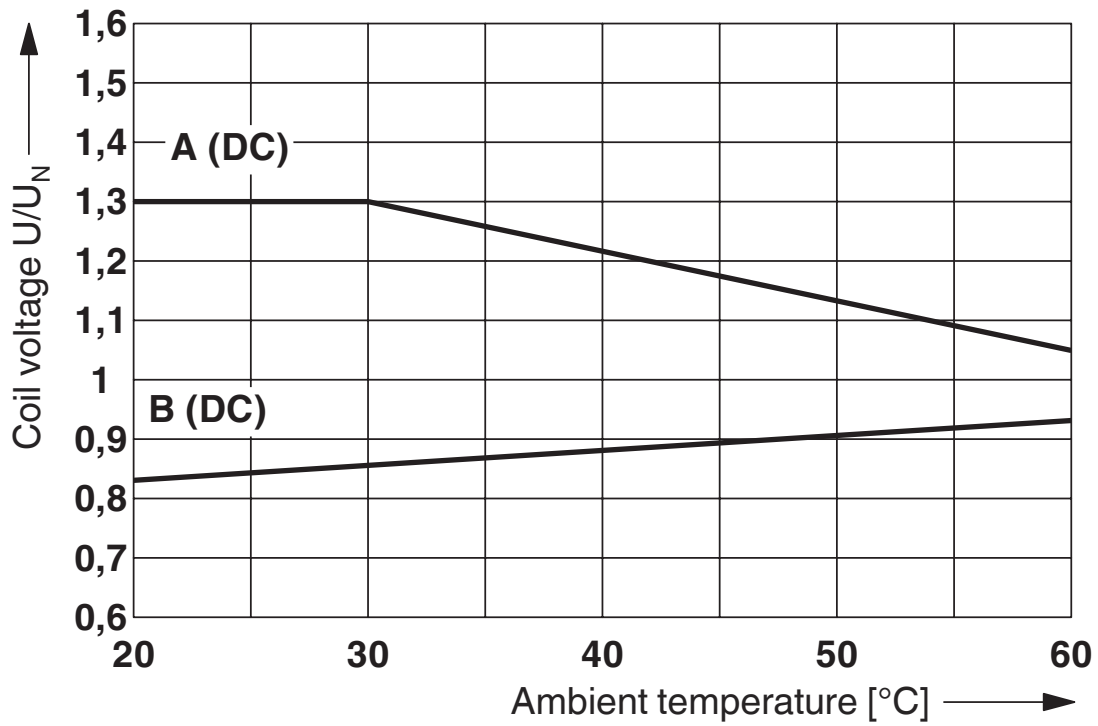
2910527

<https://www.phoenixcontact.com/us/products/2910527>

| | |
|-------------------|-----|
| Mounting position | any |
|-------------------|-----|

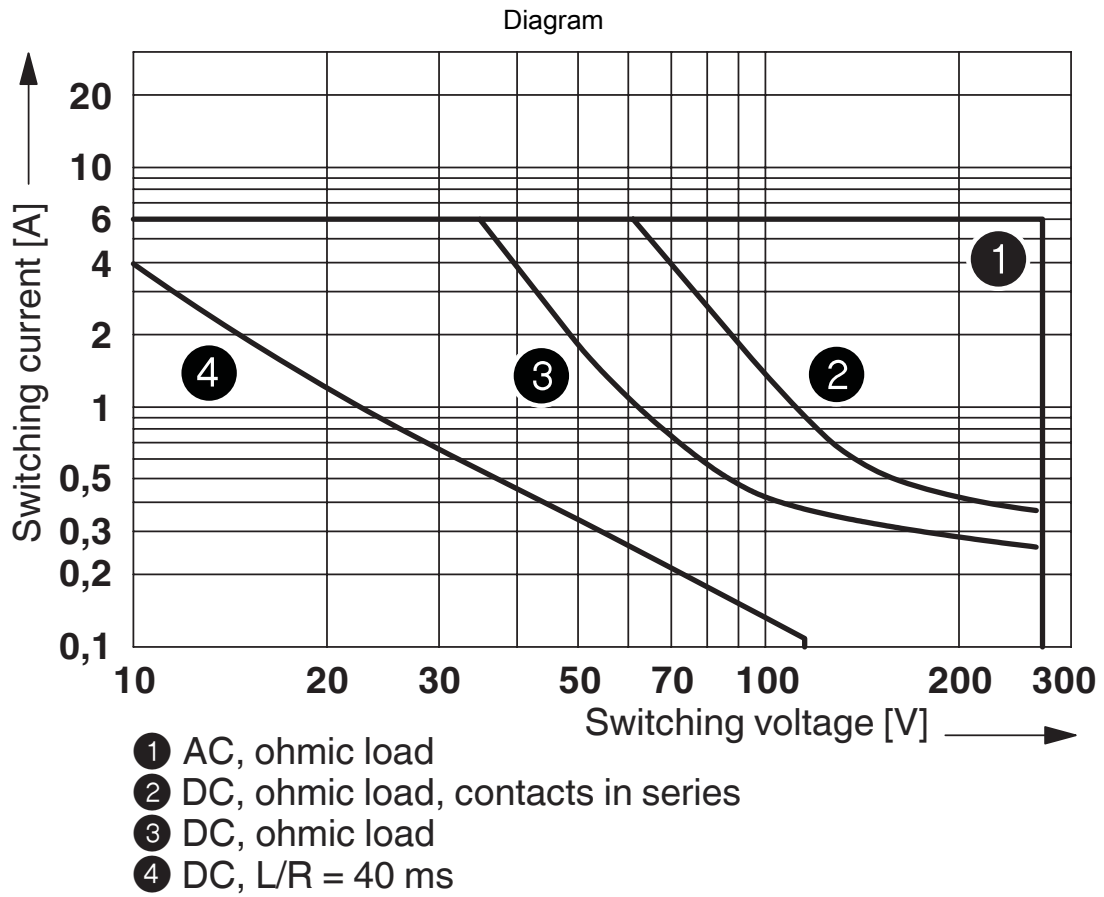
Drawings

Diagram



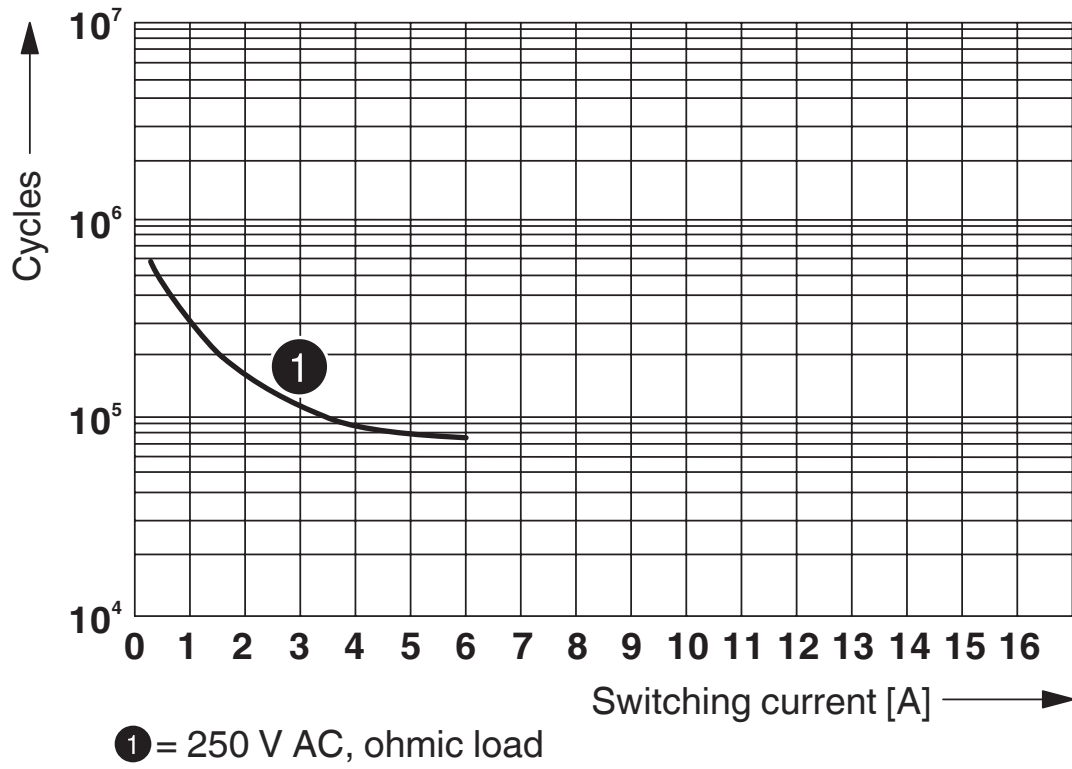
Curve A: maximum continuous voltage at limiting continuous current

Curve B: minimum pick-up voltage for pre-excitation with U_N and limiting continuous current



Interrupting rating

Diagram

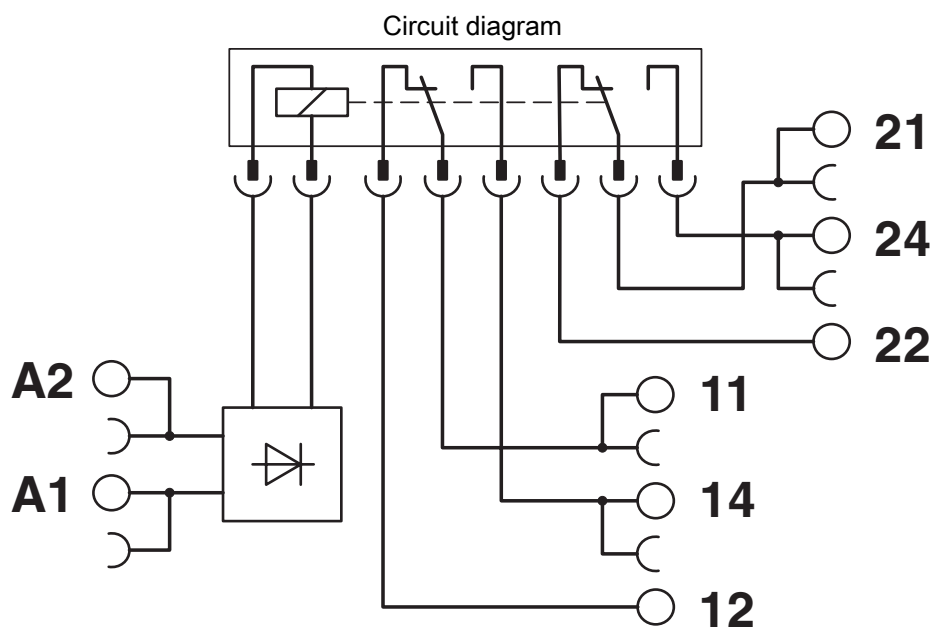


Electrical service life

Diagram



Service life reduction factor



PLC-RPT- 48DC/21-21AU/MS - Relay module



2910527

<https://www.phoenixcontact.com/us/products/2910527>

Classifications

UNSPSC

| | |
|-------------|----------|
| UNSPSC 21.0 | 39122300 |
|-------------|----------|

2910527

<https://www.phoenixcontact.com/us/products/2910527>

Environmental product compliance

EU RoHS

| | |
|---|--------------|
| Fulfills EU RoHS substance requirements | Yes |
| Exemption | 7(a), 7(c)-I |

China RoHS

| | |
|--|---|
| Environment friendly use period (EFUP) | EFUP-50 |
| | An article-related China RoHS declaration table can be found in the download area for the respective article under "Manufacturer declaration". For all articles with EFUP-E, no China RoHS declaration table issued and required. |

EU REACH SVHC

| | |
|-------------------------------------|---|
| REACH candidate substance (CAS No.) | Hexahydromethylphthalic anhydride(CAS: n/a) |
| | Lead(CAS: 7439-92-1) |
| SCIP | bebb741e-cdfe-4753-badc-180fe497e6e3 |

Phoenix Contact 2026 © - all rights reserved
<https://www.phoenixcontact.com>

Phoenix Contact USA
 586 Fulling Mill Road
 Middletown, PA 17057, United States
 (+717) 944-1300
info@phoenixcon.com