

VAL-US-120/65-P - Type 1 surge protection plug



2910330

<https://www.phoenixcontact.com/us/products/2910330>

Please be informed that the data shown in this PDF document is generated from our online catalog. Please find the complete data in the user documentation. Our general terms of use for downloads are valid.



UL Recognized type 1 SPD and IEC type 2 surge protection plug with a varistor and thermal disconnect for use with VAL-US base elements, mechanical and visual fault warning

Product description

Surge protective device replacement plug

Your advantages

- Mechanical coding of all slots
- Pluggable
- Thermal disconnect device for each individual plug
- Secure hold of plugs in the event of high lightning current loads and strong vibrations thanks to new latching

Commercial data

| | |
|--------------------------------------|---------------|
| Item number | 2910330 |
| Packing unit | 1 pc |
| Minimum order quantity | 1 pc |
| Sales key | CL18 |
| Product key | CL1151 |
| GTIN | 4055626445304 |
| Weight per piece (including packing) | 81.7 g |
| Weight per piece (excluding packing) | 73 g |
| Customs tariff number | 85363030 |
| Country of origin | DE |

VAL-US-120/65-P - Type 1 surge protection plug

2910330

<https://www.phoenixcontact.com/us/products/2910330>

Technical data

Notes

| | |
|---------|----------|
| General | Used in: |
|---------|----------|

Product properties

| | |
|--------------------------------|-------------------|
| Product type | Replacement plug |
| Product family | VALVETRAB MS |
| IEC test classification | I / II T1 / T2 |
| EN type | T1 / T2 |
| Type | Male |
| Number of positions | 1 |
| Surge protection fault message | optical |

Insulation characteristics

| | |
|----------------------|-----|
| Overvoltage category | III |
| Pollution degree | 2 |

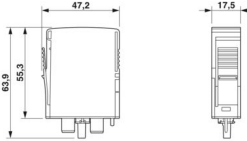
Electrical properties

| | |
|-------------------------|---------------|
| Nominal frequency f_N | 50 Hz (60 Hz) |
|-------------------------|---------------|

Connection data

| | |
|-------------------|--------------------------|
| Connection method | VALVETRAB plug-in system |
|-------------------|--------------------------|

Dimensions

| | |
|---------------------|--|
| Dimensional drawing |  |
| Width | 17.5 mm |
| Height | 47 mm |
| Depth | 67.3 mm |
| Horizontal pitch | 1 Div. |

Material specifications

| | |
|--|------------------|
| Color | black (RAL 9005) |
| Flammability rating according to UL 94 | V-0 |
| CTI value of material | 600 |
| Insulating material | PA 6.6/PBT |
| Material group | I |
| Housing material | PA 6.6 PBT |

VAL-US-120/65-P - Type 1 surge protection plug



2910330

<https://www.phoenixcontact.com/us/products/2910330>

Protective circuit

| | |
|---|-------------------------------------|
| Mode of protection | L-N |
| | L-PEN |
| | N-PE |
| Direction of action | L-N / L-PEN |
| Nominal voltage U_N | 120/208 V AC (TN-C, TN-S) |
| | 120/240 V AC (TN-C, TN-S) |
| Nominal frequency f_N | 50 Hz (60 Hz) |
| Maximum continuous operating voltage U_C | 175 V AC |
| Protective conductor current I_{PE} | $\leq 800 \mu\text{A}$ |
| Standby power consumption P_C | $\leq 140 \text{ mVA}$ |
| Nominal discharge current I_n (8/20) μs | 12.5 kA |
| Maximum discharge current I_{max} (8/20) μs | 65 kA |
| Short-circuit current rating I_{SCCR} | 25 kA |
| Voltage protection level U_p | $\leq 0.8 \text{ kV}$ |
| Residual voltage U_{res} | $\leq 0.8 \text{ kV}$ (at I_n) |
| | $\leq 0.7 \text{ kV}$ (at 10 kA) |
| | $\leq 0.6 \text{ kV}$ (at 5 kA) |
| | $\leq 0.5 \text{ kV}$ (at 3 kA) |
| TOV behavior at U_T | 208 V AC (5 s / withstand mode) |
| | 229 V AC (120 min / withstand mode) |
| Max. backup fuse with branch wiring | 125 A (gG) |

Additional technical data

| | |
|---|-------|
| Maximum discharge current I_{max} (8/20) μs | 65 kA |
|---|-------|

Environmental and real-life conditions

Ambient conditions

| | |
|---|---|
| Degree of protection | IP20 |
| Ambient temperature (operation) | -40 °C ... 80 °C |
| Ambient temperature (storage/transport) | -40 °C ... 80 °C |
| Altitude | $\leq 2000 \text{ m}$ (amsl) |
| Permissible humidity (operation) | 5 % ... 95 % |
| Shock (operation) | 30g (Half-sine / 11 ms / 3x $\pm X$, $\pm Y$, $\pm Z$) |
| Vibration (operation) | 7.5g (10 ... 500 Hz / 2.5 h / X, Y, Z) |

Approvals

UL specifications

| | |
|---|----------|
| Maximum continuous operating voltage MCOV | 175 V AC |
| Short-circuit current rating (SCCR) | 200 kA |
| Voltage protection rating VPR | 700 V |
| UL type | type 1 |
| Nominal discharge current I_n | 20 kA |

VAL-US-120/65-P - Type 1 surge protection plug



2910330

<https://www.phoenixcontact.com/us/products/2910330>

| | |
|---------------------------------|-------------------------|
| Maximum Surge Current per Phase | 65 kA (acc. IEC61643-1) |
| | 80 kA (acc. NEMA LS1) |
| Mode of protection | L-N |
| | L-G |
| | N-G |
| Nominal voltage | 120/240 V AC |
| Power distribution system | Single phase |
| Nominal frequency | 50/60 Hz |
| SPD Type | 1CA |

Standards and regulations

Air clearances and creepage distances

| | |
|--------------------------|--------------------------|
| Standards/regulations | EN 60664-1 / EN 61643-11 |
| Standards/specifications | IEC 61643-11 |
| Note | 2011 |
| Standards/specifications | EN 61643-11 |
| Note | 2012 |

Mounting

| | |
|---------------|-----------------|
| Mounting type | on base element |
|---------------|-----------------|

VAL-US-120/65-P - Type 1 surge protection plug

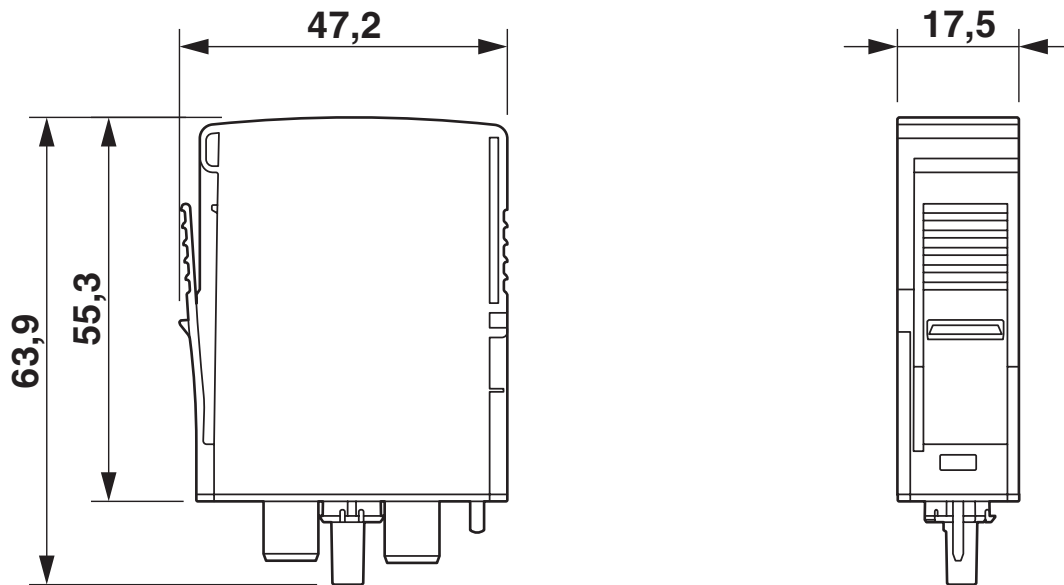
2910330

<https://www.phoenixcontact.com/us/products/2910330>



Drawings

Dimensional drawing



Circuit diagram



VAL-US-120/65-P - Type 1 surge protection plug



2910330

<https://www.phoenixcontact.com/us/products/2910330>

Approvals

To download certificates, visit the product detail page: <https://www.phoenixcontact.com/us/products/2910330>



cUL Recognized

Approval ID: FILE E 330181



UL Recognized

Approval ID: FILE E 330181

VAL-US-120/65-P - Type 1 surge protection plug



2910330

<https://www.phoenixcontact.com/us/products/2910330>

Classifications

ECLASS

| | |
|-------------|----------|
| ECLASS-13.0 | 27171292 |
| ECLASS-15.0 | 27171292 |

ETIM

| | |
|-----------|----------|
| ETIM 10.0 | EC002496 |
|-----------|----------|

UNSPSC

| | |
|-------------|----------|
| UNSPSC 21.0 | 39121600 |
|-------------|----------|

VAL-US-120/65-P - Type 1 surge protection plug



2910330

<https://www.phoenixcontact.com/us/products/2910330>

Environmental product compliance

EU RoHS

| | |
|---|--------------------|
| Fulfills EU RoHS substance requirements | Yes, No exemptions |
|---|--------------------|

China RoHS

| | |
|--|--|
| Environment friendly use period (EFUP) | EFUP-E |
| | No hazardous substances above the limits |

EU REACH SVHC

| | |
|-------------------------------------|----------------------------|
| REACH candidate substance (CAS No.) | No substance above 0.1 wt% |
|-------------------------------------|----------------------------|

Phoenix Contact 2026 © - all rights reserved
<https://www.phoenixcontact.com>

Phoenix Contact USA
586 Fulling Mill Road
Middletown, PA 17057, United States
(+717) 944-1300
info@phoenixcon.com