

# IOA REL 24V DO/BFI/3.0A/EX - Relay module



2910153

<https://www.phoenixcontact.com/us/products/2910153>

Please be informed that the data shown in this PDF document is generated from our online catalog. Please find the complete data in the user documentation. Our general terms of use for downloads are valid.



Relay module for VIP I/O-Marshalling base elements. For switching 24 V DC loads up to max. 3 A. Integrated fuse and fuse failure indication. N/O contact or N/C contact can be used.

## Product description

Relay module for digital output signals for switching loads with max. 3 A nominal current and a maximum voltage of 24 V DC. The switch contact is protected by an integrated replaceable 3 A fuse. If the fuse fails, this is indicated by an LED. A plug-in bridge determines whether an N/O contact or an N/C contact is used. The module is installed on a corresponding VIP I/O-Marshalling base element by means of plug-in contact. Installation in zone 2, "ec" type of protection is permitted.

## Your advantages

- Output blown fuse indication
- Active relay coil indication
- Two-stage progressive release allowing for voltage checks with field-powered devices
- Channel for marking accessories
- Replaceable TE5-style fusing
- 24 V internal marshalling option for connected field device
- Integrated keying reduces possible user error during replacement
- 1 PDT relay with user selectable NO or NC contact

## Commercial data

Item number	2910153
Packing unit	1 pc
Minimum order quantity	1 pc
Sales key	C480
Product key	DK1154
GTIN	4055626447278
Weight per piece (including packing)	69.3 g
Weight per piece (excluding packing)	65.6 g
Customs tariff number	85364190
Country of origin	US

# IOA REL 24V DO/BFI/3.0A/EX - Relay module



2910153

<https://www.phoenixcontact.com/us/products/2910153>

## Technical data

### Product properties

Product type	Relay Module
Product family	VIP I/O-Marshalling
Application	Output function
Operating mode	100% operating factor
Mechanical service life	2x 10 <sup>7</sup> cycles

### Insulation characteristics

Overvoltage category	II
Pollution degree	2

### Data management status

Date of last data management	27.05.2026
------------------------------	------------

### Input data

#### Coil side

Nominal input voltage $U_N$	24 V DC
Input voltage range in reference to $U_N$	0.9 ... 1.1
Typical input current at $U_N$	13.5 mA
Typical response time	5 ms
Typical release time	8 ms
Coil voltage	24 V DC
Protective circuit	Reverse polarity protection; Polarity protection diode Freewheeling diode; Freewheeling diode
Operating voltage display	Yellow LED

### Output data

#### Switching

Contact switching type	1 changeover contact
Type of switch contact	Single contact
Contact connection type	Power contact
Contact material	AgSnO
Maximum switching voltage	24 V DC
Minimum switching voltage	5 V (at 100 mA)
Limiting continuous current	3 A (fuse limited)
Min. switching current	10 mA (at 12 V)
Interrupting rating (ohmic load) max.	140 W (at 24 V DC)

### Connection data

#### Control circuits

Connection method	Plug-in connection
-------------------	--------------------

# IOA REL 24V DO/BFI/3.0A/EX - Relay module



2910153

<https://www.phoenixcontact.com/us/products/2910153>

## Ex data

### Safety data

Input voltage $U_i$	24 V DC
Input current $I_i$	13.5 mA

## Dimensions

### Item dimensions

Width	10.3 mm
Height	64.2 mm
Depth	72.9 mm

## Material specifications

Color	gray (RAL 7042)
Flammability rating according to UL 94	V0

## Environmental and real-life conditions

### Ambient conditions

Degree of protection	IP20
Ambient temperature (operation)	-40 °C ... 70 °C
Ambient temperature (storage/transport)	-40 °C ... 70 °C
Altitude	≤ 2000 m
Permissible humidity (operation)	0 % ... 95 % (non-condensing)

## Approvals

### ATEX

Identification	Ⓔ II 3G Ex ec nC IIC T4 Gc
Certificate	Sira 17ATEX4293X

### IECEX

Identification	Ex ec nC IIC T4 Gc
Certificate	IECEX SIR 17.0078X

### UKEX

Identification	Ⓔ II 3G Ex ec nC IIC T4 Gc
Certificate	PxCIF23UKEX2910153X

### UL, USA/Canada

Identification	Class I, Div. 2, Groups A, B, C, D T4
	Class I, Zone 2, Group IIC T4

### CSA, USA/Canada

Identification	Class I, Div. 2, Groups A, B, C, D T4
	Class I, Zone 2, AEx ec nC IIC T4 Gc
	Ex ec nC IIC T4 Gc

# IOA REL 24V DO/BFI/3.0A/EX - Relay module



2910153

<https://www.phoenixcontact.com/us/products/2910153>

## Standards and regulations

Standards/regulations	IEC 60664
	DIN EN 50178

## Mounting

Mounting type	Plug-in mounting
Assembly note	Plugs into VIP/...BASE...
Mounting position	any

# IOA REL 24V DO/BFI/3.0A/EX - Relay module

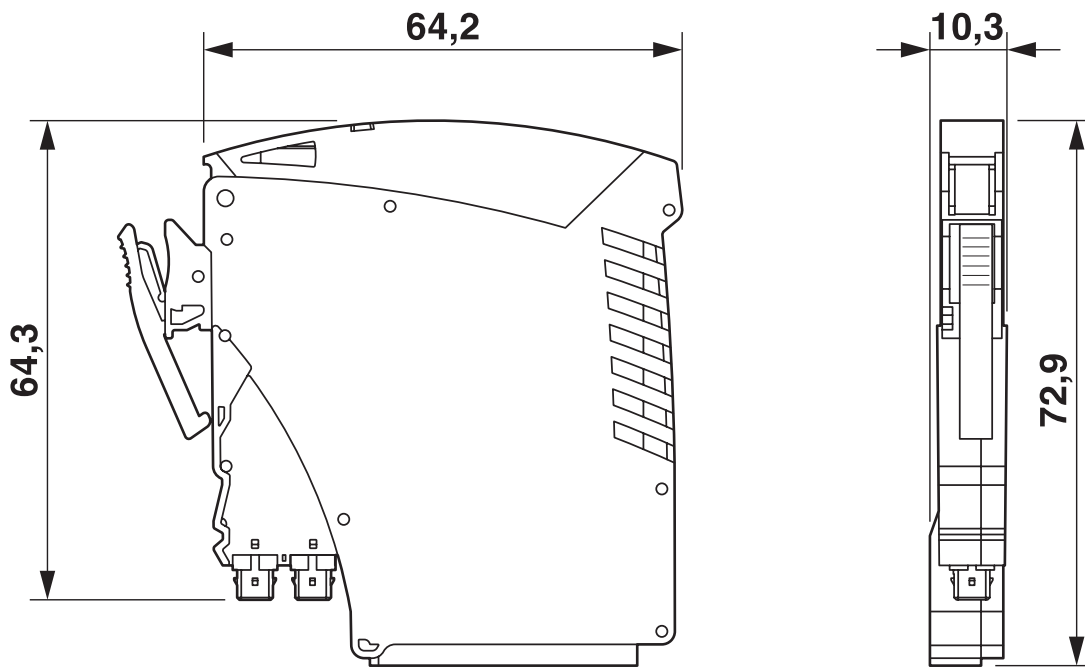


2910153

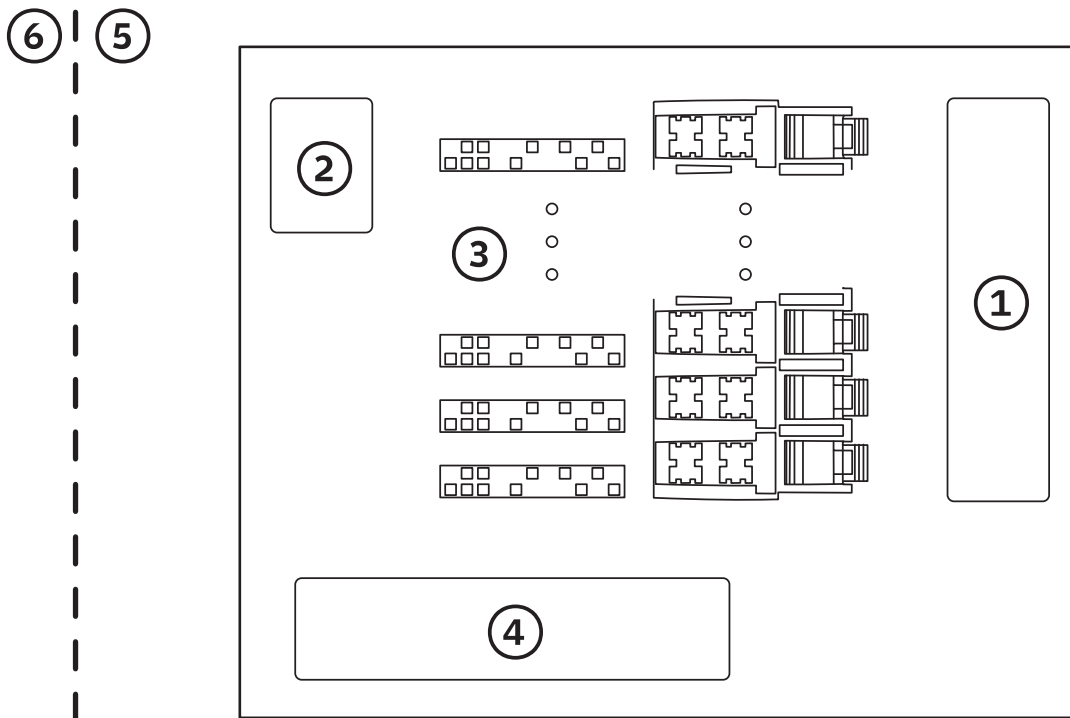
<https://www.phoenixcontact.com/us/products/2910153>

## Drawings

Dimensional drawing



Schematic diagram



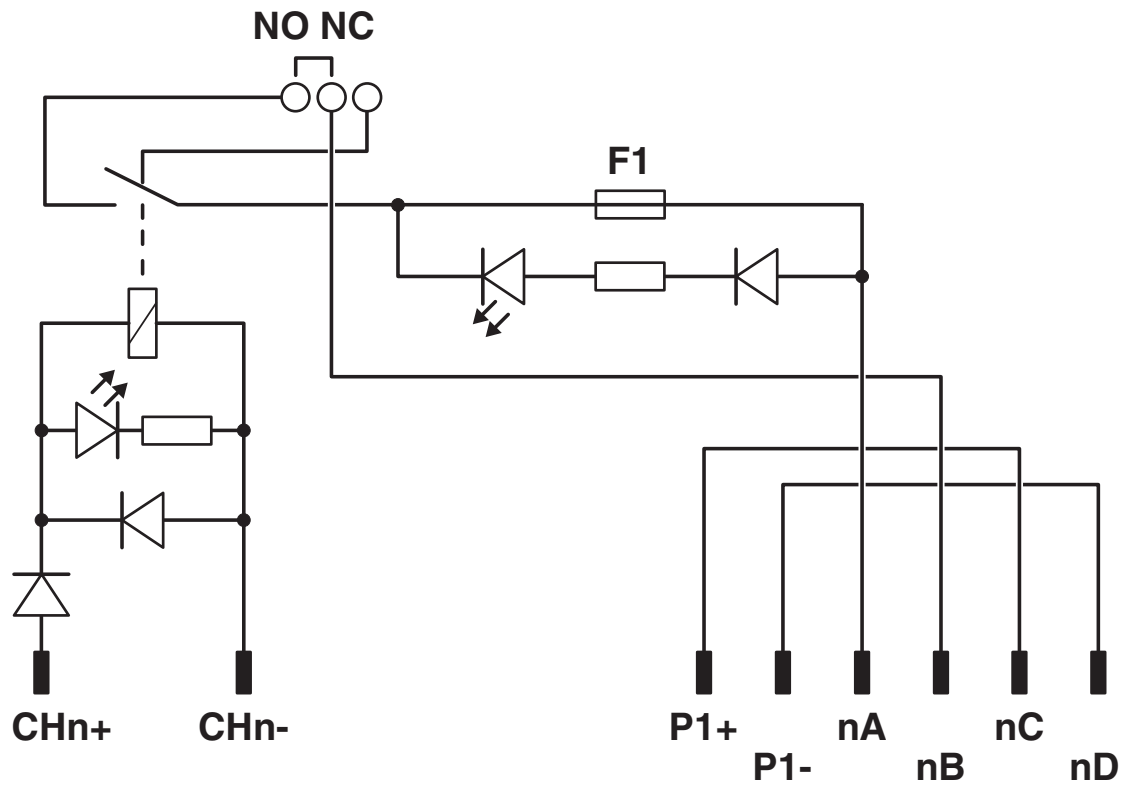
# IOA REL 24V DO/BFI/3.0A/EX - Relay module



2910153

<https://www.phoenixcontact.com/us/products/2910153>

Circuit diagram



# IOA REL 24V DO/BFI/3.0A/EX - Relay module



2910153

<https://www.phoenixcontact.com/us/products/2910153>

## Approvals

To download certificates, visit the product detail page: <https://www.phoenixcontact.com/us/products/2910153>



### Functional Safety

Approval ID: 1435.IM.131623/19



### IECEX

Approval ID: IECEx SIR 17.0078X



### CSA

Approval ID: 70134758



### CSAus

Approval ID: 70134758



### ATEX

Approval ID: SIRA 17ATEX4293X



### cUL Listed

Approval ID: FILE E 196811



### UL Listed

Approval ID: FILE E 196811

# IOA REL 24V DO/BFI/3.0A/EX - Relay module



2910153

<https://www.phoenixcontact.com/us/products/2910153>

## Classifications

### ECLASS

ECLASS-13.0	27371601
ECLASS-15.0	27371601

### ETIM

ETIM 10.0	EC001437
-----------	----------

### UNSPSC

UNSPSC 21.0	39122300
-------------	----------

2910153

<https://www.phoenixcontact.com/us/products/2910153>

## Environmental product compliance

### EU RoHS

Fulfills EU RoHS substance requirements	Yes
Exemption	6(c), 7(a), 7(c)-I

### China RoHS

Environment friendly use period (EFUP)	EFUP-50
	An article-related China RoHS declaration table can be found in the download area for the respective article under "Manufacturer declaration". For all articles with EFUP-E, no China RoHS declaration table issued and required.

### EU REACH SVHC

REACH candidate substance (CAS No.)	Lead(CAS: 7439-92-1)
SCIP	36f1c6f9-742f-4a03-9c4b-d5429fede072

Phoenix Contact 2026 © - all rights reserved

<https://www.phoenixcontact.com>

Phoenix Contact USA  
586 Fulling Mill Road  
Middletown, PA 17057, United States  
(+717) 944-1300  
[info@phoenixcon.com](mailto:info@phoenixcon.com)