

# PLC-RPT-230UC/21/SO46 - Relay module



2910110

<https://www.phoenixcontact.com/us/products/2910110>

Please be informed that the data shown in this PDF document is generated from our online catalog. Please find the complete data in the user documentation. Our general terms of use for downloads are valid.



PLC-INTERFACE with interference current and interference voltage protection on the control side, consisting of PLC-BPT.../21 basic terminal block with Push-in connection and plug-in miniature relay with power contact, 1 changeover contact, input voltage 230 V AC

## Commercial data

|                                      |               |
|--------------------------------------|---------------|
| Item number                          | 2910110       |
| Packing unit                         | 10 pc         |
| Minimum order quantity               | 10 pc         |
| Sales key                            | C461          |
| Product key                          | DK62AM        |
| GTIN                                 | 4055626426808 |
| Weight per piece (including packing) | 32.603 g      |
| Weight per piece (excluding packing) | 31.27 g       |
| Customs tariff number                | 85364900      |
| Country of origin                    | DE            |

## Technical data

### Product properties

|                         |                                |
|-------------------------|--------------------------------|
| Product type            | Relay Module                   |
| Product family          | PLC-INTERFACE                  |
| Application             | Filter to prevent interference |
| Operating mode          | 100% operating factor          |
| Mechanical service life | 2x 10 <sup>7</sup> cycles      |

Insulation characteristics: Air clearances and creepage distances between the power circuits

|                      |                                       |
|----------------------|---------------------------------------|
| Insulation           | Safe isolation, reinforced insulation |
| Overvoltage category | III                                   |
| Pollution degree     | 3                                     |

Data management status

|                              |            |
|------------------------------|------------|
| Date of last data management | 01.04.2026 |
|------------------------------|------------|

### Electrical properties

|   |  |
|---|--|
| Maximum power dissipation for nominal condition | 2.3 W                                    |
| Test voltage (Winding/contact)                  | 4 kV AC (50 Hz, 1 min., winding/contact) |

Air clearances and creepage distances between the power circuits

|                          |          |
|--------------------------|----------|
| Rated insulation voltage | 250 V AC |
| Rated surge voltage      | 6 kV     |

### Input data

Coil side

|  |                                 |
|--|---------------------------------|
| Nominal input voltage $U_N$                          | 230 V AC                        |
|  | 220 V DC                        |
| Input voltage range                                  | 179.4 V AC/DC ... 264.5 V AC/DC |
| Input voltage range in reference to $U_N$            | 0.78 ... 1.14                   |
| Nominal voltage (plugged-in electromechanical relay) | 60 V DC                         |
| Drive and function                                   | monostable                      |
| Drive (polarity)                                     | polarized                       |
| Typical input current at $U_N$                       | 8.8 mA (50 Hz)                  |
|  | 10 mA (60 Hz)                   |
| Typical response time                                | 7 ms                            |
| Typical release time                                 | 20 ms                           |
| Protective circuit                                   | Bridge rectifier                |
|  | RCZ filter                      |
| Status display                                       | LED (yellow)                    |

### Output data

Switching

# PLC-RPT-230UC/21/SO46 - Relay module



2910110

<https://www.phoenixcontact.com/us/products/2910110>

|                                       |   |
|---------------------------------------|---|
| Contact switching type                | 1 changeover contact  |
| Type of switch contact                | Single contact  |
| Contact material                      | AgSnO, hard gold-plated   |
| Maximum switching voltage             | 250 V AC/DC (The separating plate PLC-ATP should be installed for voltages larger than 250 V (L1, L2, L3) between identical terminal blocks in adjacent modules. Potential bridging is then carried out with FBST 8-PLC... or ...FBST 500...) |
| Minimum switching voltage             | 5 V (100 mA)  |
| Limiting continuous current           | 6 A   |
| Maximum inrush current                | 10 A (4 s)  |
| Min. switching current                | 10 mA (12 V)  |
| Short-circuit current                 | 200 A (conditional short-circuit current)   |
| Interrupting rating (ohmic load) max. | 140 W (24 V DC)   |
|                                       | 20 W (48 V DC)  |
|                                       | 18 W (60 V DC)  |
|                                       | 23 W (110 V DC)   |
|                                       | 40 W (220 V DC)   |
|                                       | 1500 VA (250 V AC)  |
| Output fuse                           | 4 A gL/gG NEOZED  |
| Switching capacity                    | 2 A (at 24 V, DC13)   |
|                                       | 0.2 A (at 110 V, DC13)  |
|                                       | 0.1 A (at 220 V, DC13)  |
|                                       | 3 A (at 24 V, AC15)   |
|                                       | 3 A (at 120 V, AC15)  |
|                                       | 3 A (at 230 V, AC15)  |

## Connection data

|                                  |  |
|----------------------------------|--|
| Connection method                | Push-in connection   |
| Stripping length                 | 10 mm  |
| Conductor cross-section rigid    | 0.14 mm <sup>2</sup> ... 2.5 mm <sup>2</sup>                 |
| Conductor cross-section flexible | 0.14 mm <sup>2</sup> ... 2.5 mm <sup>2</sup>                 |
|                                  | 0.2 mm <sup>2</sup> ... 2.5 mm <sup>2</sup> (Single ferrule) |
|                                  | 2x 0.5 mm <sup>2</sup> ... 1 mm <sup>2</sup> (TWIN ferrule)  |
| Conductor cross-section AWG      | 26 ... 14  |

## Dimensions

### Item dimensions

|        |        |
|--------|--------|
| Width  | 6.2 mm |
| Height | 80 mm  |
| Depth  | 94 mm  |

## Material specifications

|  |                 |
|--|-----------------|
| Color  | gray (RAL 7042) |
| Flammability rating according to UL 94 (Housing) | V0 (Housing)    |

## Environmental and real-life conditions

### Ambient conditions

|   |                   |
|---|-------------------|
| Degree of protection (Relay base)       | IP20 (Relay base) |
| Ambient temperature (operation)         | -40 °C ... 55 °C  |
| Ambient temperature (storage/transport) | -40 °C ... 85 °C  |

## Approvals

### CE

|             |              |
|-------------|--------------|
| Certificate | CE-compliant |
|-------------|--------------|

### UKCA

|             |                |
|-------------|----------------|
| Certificate | UKCA-compliant |
|-------------|----------------|

### Shipbuilding approval

|             |            |
|-------------|------------|
| Certificate | TAE0000196 |
|-------------|------------|

### Corrosive gas test

|                |                            |
|----------------|----------------------------|
| Identification | ISA-S71.04. G3 Harsh Group |
|                | EN 60068-2-60              |

### Shipbuilding data

|             |   |
|-------------|---|
| Temperature | D   |
| Humidity    | A   |
| Vibration   | B/C   |
| EMC         | B   |
| Enclosure   | Required protection according to the Rules shall be provided upon installation on board |

## EMC data

|                               |  |
|-------------------------------|--|
| Electromagnetic compatibility | Conformance with EMC directive         |
| Low Voltage Directive         | Conformance with Low Voltage Directive |

## Standards and regulations

### Air clearances and creepage distances between the power circuits

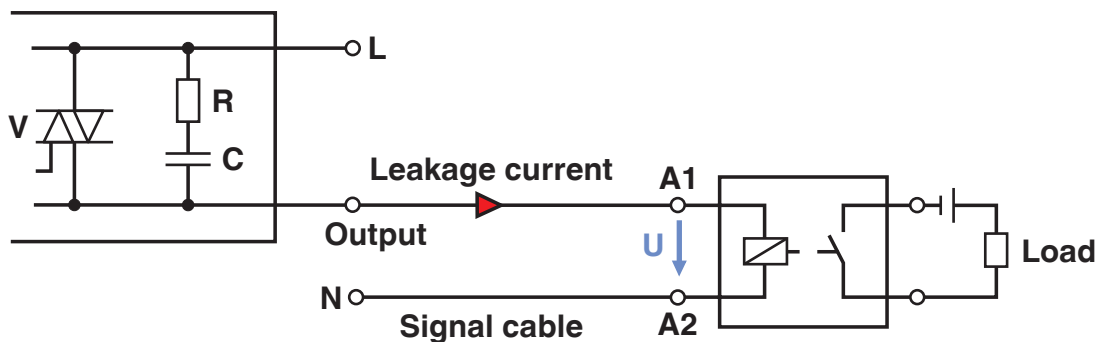
|                       |               |
|-----------------------|---------------|
| Standards/regulations | IEC 60947-5-1 |
|-----------------------|---------------|

## Mounting

|                   |                           |
|-------------------|---------------------------|
| Mounting type     | DIN rail mounting         |
| Assembly note     | in rows with zero spacing |
| Mounting position | any                       |

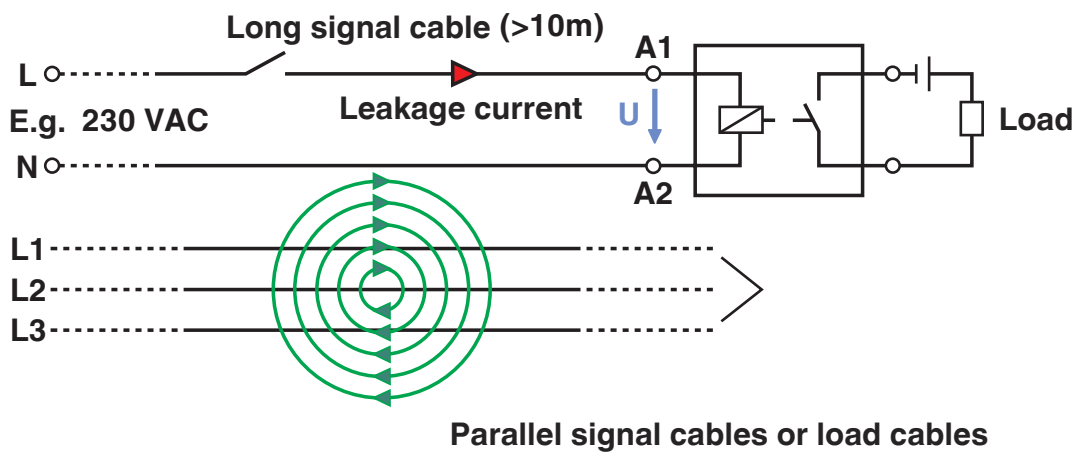
## Drawings

Application drawing



Occurrence of interference signals  
Scenario 1: controller - AC output card

Application drawing



Occurrence of interference signals  
Scenario 2: long signal cables

Diagram



① 250 V AC, ohmic load

Electrical service life



Permissible humidity for operation and storage.

The maximum permissible ambient temperature as specified in the data sheet must be observed.

Area A: Ice buildup at ambient temperatures  $\leq 0^\circ\text{C}$  must be prevented

Area B: Condensation at ambient temperatures  $> 0^\circ\text{C}$  must be prevented

On 30 full days that are naturally distributed across an entire year, a humidity level of 95% is permissible at an ambient temperature  $\leq 25^\circ\text{C}$ .

# PLC-RPT-230UC/21/SO46 - Relay module



2910110

<https://www.phoenixcontact.com/us/products/2910110>

## Approvals

To download certificates, visit the product detail page: <https://www.phoenixcontact.com/us/products/2910110>



**EAC**

Approval ID: RU\*C-DE.\*08.B.00010



**cULus Listed**

Approval ID: E140324



**cULus Listed**

Approval ID: E140324



**cULus Listed**

Approval ID: E140324

**DNV**

Approval ID: TAE0000196

# PLC-RPT-230UC/21/SO46 - Relay module



2910110

<https://www.phoenixcontact.com/us/products/2910110>

## Classifications

### ECLASS

|             |          |
|-------------|----------|
| ECLASS-13.0 | 27371601 |
| ECLASS-15.0 | 27371601 |

### ETIM

|           |          |
|-----------|----------|
| ETIM 10.0 | EC001437 |
|-----------|----------|

### UNSPSC

|             |          |
|-------------|----------|
| UNSPSC 21.0 | 39122300 |
|-------------|----------|

2910110

<https://www.phoenixcontact.com/us/products/2910110>

## Environmental product compliance

### EU RoHS

|   |              |
|---|--------------|
| Fulfills EU RoHS substance requirements | Yes          |
| Exemption                               | 7(a), 7(c)-I |

### China RoHS

|  |   |
|--|---|
| Environment friendly use period (EFUP) | EFUP-50   |
|  | An article-related China RoHS declaration table can be found in the download area for the respective article under "Manufacturer declaration". For all articles with EFUP-E, no China RoHS declaration table issued and required. |

### EU REACH SVHC

|                                     |                                      |
|-------------------------------------|--------------------------------------|
| REACH candidate substance (CAS No.) | Lead(CAS: 7439-92-1)                 |
| SCIP                                | 123032bd-3e40-442f-bc17-34e40c844841 |

### EF3.1 Climate Change

|         |               |
|---------|---------------|
| CO2e kg | 0.978 kg CO2e |
|---------|---------------|

Phoenix Contact 2026 © - all rights reserved  
<https://www.phoenixcontact.com>

Phoenix Contact USA  
586 Fulling Mill Road  
Middletown, PA 17057, United States  
(+717) 944-1300  
[info@phoenixcon.com](mailto:info@phoenixcon.com)