

UM108-FE BK - Foot element

2909976

<https://www.phoenixcontact.com/us/products/2909976>

Please be informed that the data shown in this PDF document is generated from our online catalog. Please find the complete data in the user documentation. Our general terms of use for downloads are valid.

Foot element, 107.5 mm wide, for mounting on NS 32 or NS 35/7.5, below profile housing UM 108.



The figure shows a version of the product

Commercial data

Item number	2909976
Packing unit	50 pc
Minimum order quantity	100 pc
Sales key	AC13
Product key	ACHDBB
GTIN	4017918419233
Weight per piece (including packing)	7.84 g
Weight per piece (excluding packing)	7.66 g
Customs tariff number	39269097
Country of origin	PL

UM108-FE BK - Foot element



2909976

<https://www.phoenixcontact.com/us/products/2909976>

Technical data

Product properties

Product type	Base latches
Housing type	Press-drawn section housings
Housing series	UM
Product family	UM108

Material specifications

Color (Housing)	black (RAL 9005)
Material Housing	PA
Flammability rating according to UL 94	V0

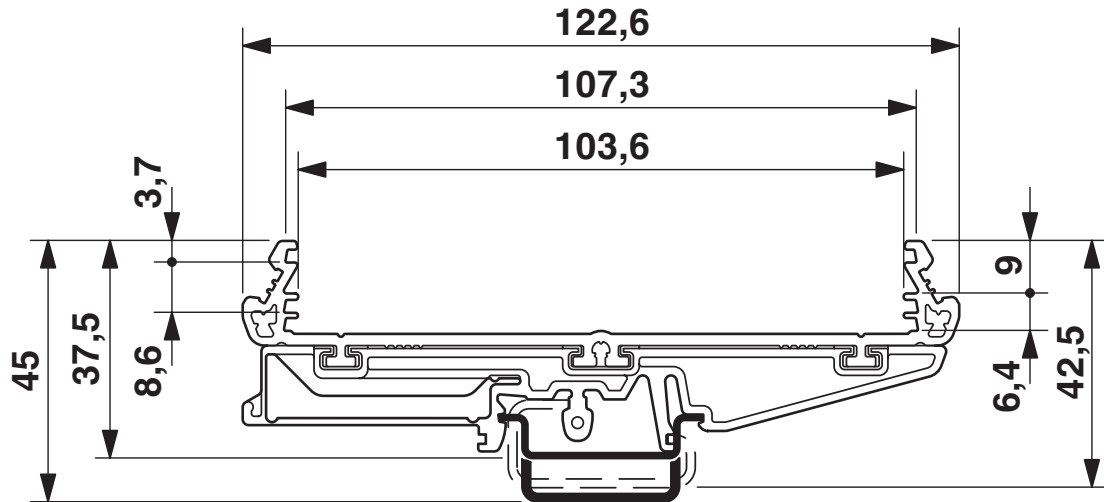
UM108-FE BK - Foot element

2909976

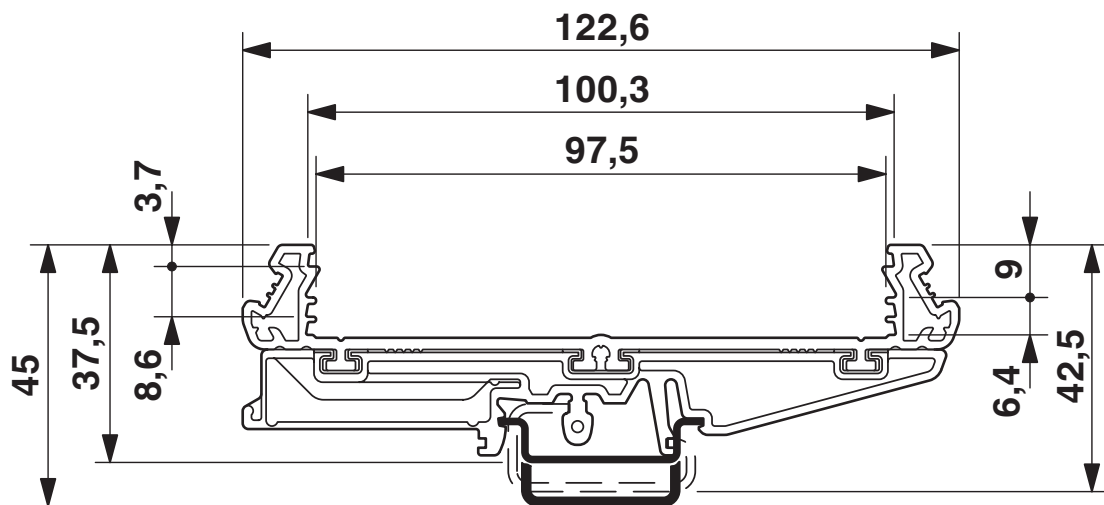
<https://www.phoenixcontact.com/us/products/2909976>

Drawings

Dimensional drawing



Dimensional drawing



UM108-FE BK - Foot element



2909976

<https://www.phoenixcontact.com/us/products/2909976>

Approvals

To download certificates, visit the product detail page: <https://www.phoenixcontact.com/us/products/2909976>



UL Recognized

Approval ID: E240868

UM108-FE BK - Foot element



2909976

<https://www.phoenixcontact.com/us/products/2909976>

Classifications

ECLASS

ECLASS-13.0	27190605
ECLASS-15.0	27190605

ETIM

ETIM 10.0	EC002779
-----------	----------

UNSPSC

UNSPSC 21.0	31261500
-------------	----------

UM108-FE BK - Foot element



2909976

<https://www.phoenixcontact.com/us/products/2909976>

Environmental product compliance

EU RoHS

Fulfills EU RoHS substance requirements	Yes, No exemptions
---	--------------------

China RoHS

Environment friendly use period (EFUP)	EFUP-E
	No hazardous substances above the limits

EU REACH SVHC

REACH candidate substance (CAS No.)	No substance above 0.1 wt%
-------------------------------------	----------------------------

EF3.1 Climate Change

CO2e kg	0.26 kg CO2e
---------	--------------

Phoenix Contact 2026 © - all rights reserved
<https://www.phoenixcontact.com>

Phoenix Contact USA
586 Fulling Mill Road
Middletown, PA 17057, United States
(+717) 944-1300
info@phoenixcon.com