

UM 108-PROFIL 235CM BK - Profile



2909963

<https://www.phoenixcontact.com/us/products/2909963>

Please be informed that the data shown in this PDF document is generated from our online catalog. Please find the complete data in the user documentation. Our general terms of use for downloads are valid.

Drawn section panel mounting base, with a constructional width of 108 mm and a fixed length of 235 cm



The figure shows the variant UM 45-Profil CM

Commercial data

Item number	2909963
Packing unit	1 m
Minimum order quantity	1 m
Sales key	AC13
Product key	ACHDBB
GTIN	4017918419226
Weight per piece (including packing)	1 kg
Weight per piece (excluding packing)	1 kg
Customs tariff number	39162000
Country of origin	DE

UM 108-PROFIL 235CM BK - Profile

2909963

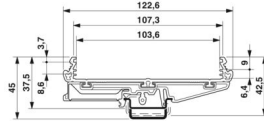
<https://www.phoenixcontact.com/us/products/2909963>

Technical data

Product properties

Product type	Component housing lower part
Housing type	Press-drawn section housings
Housing type	Extruded profile housings
Housing series	UM
Product family	UM108
Ventilation openings present	no

Dimensions

Dimensional drawing	
Depth	21.5 mm
Length	235 cm

External dimensions

Profile width (external)	107.5 mm
--------------------------	----------

Internal dimensions

Profile width (internal)	122.6 mm
--------------------------	----------

Material specifications

Color (Profile)	black (RAL 9005)
Material Profile	PVC

PCB data

Number of PCB holders	2
-----------------------	---

Mounting

Mounting type	Latching with side elements, latching with foot element
---------------	---

UM 108-PROFIL 235CM BK - Profile

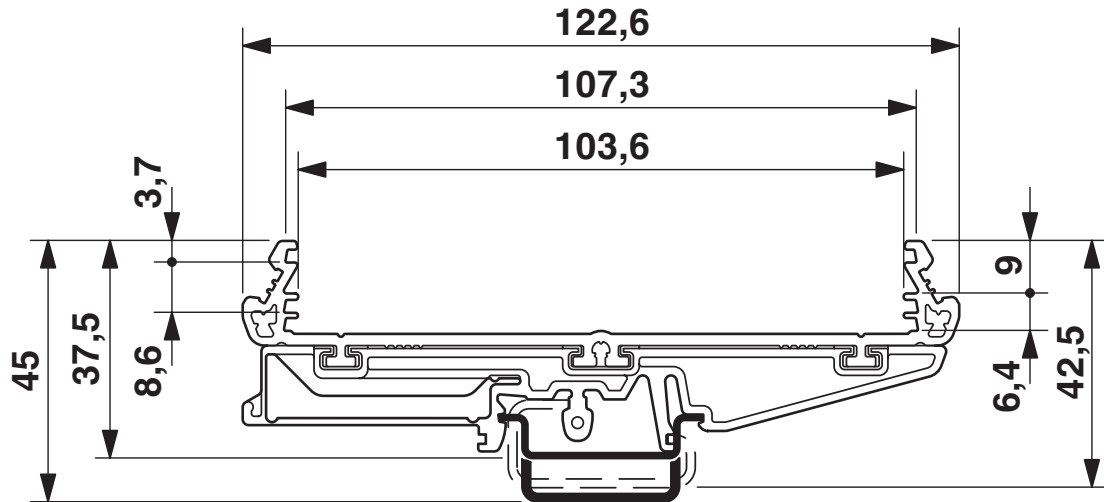


2909963

<https://www.phoenixcontact.com/us/products/2909963>

Drawings

Dimensional drawing



UM 108-PROFIL 235CM BK - Profile



2909963

<https://www.phoenixcontact.com/us/products/2909963>

Classifications

ECLASS

ECLASS-13.0	27190601
ECLASS-15.0	27190601

ETIM

ETIM 10.0	EC002779
-----------	----------

UNSPSC

UNSPSC 21.0	31261500
-------------	----------

UM 108-PROFIL 235CM BK - Profile



2909963

<https://www.phoenixcontact.com/us/products/2909963>

Environmental product compliance

EU RoHS

Fulfills EU RoHS substance requirements	Yes, No exemptions
---	--------------------

China RoHS

Environment friendly use period (EFUP)	EFUP-E
	No hazardous substances above the limits

EU REACH SVHC

REACH candidate substance (CAS No.)	No substance above 0.1 wt%
-------------------------------------	----------------------------

Phoenix Contact 2026 © - all rights reserved
<https://www.phoenixcontact.com>

Phoenix Contact USA
586 Fulling Mill Road
Middletown, PA 17057, United States
(+717) 944-1300
info@phoenixcon.com