

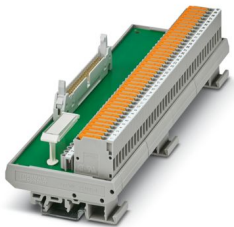
# FLKM 50/KDS3-MT/PPA/S7-1500 - Termination board



2909893

<https://www.phoenixcontact.com/us/products/2909893>

Please be informed that the data shown in this PDF document is generated from our online catalog. Please find the complete data in the user documentation. Our general terms of use for downloads are valid.



VARIOFACE termination board for Siemens SIMATIC® S7-1500, with SIMATIC®-specific marking (1-40), knife-disconnect terminal block, and test pick-off

## Commercial data

Item number	2909893
Packing unit	1 pc
Minimum order quantity	1 pc
Note	Made to order (non-returnable)
Sales key	C423
Product key	DK218S
GTIN	4055626407876
Weight per piece (including packing)	490 g
Weight per piece (excluding packing)	490 g
Customs tariff number	85369010
Country of origin	DE

2909893

<https://www.phoenixcontact.com/us/products/2909893>

## Technical data

### Product properties

Product type	Interface module
Product family	VARIOFACE
No. of channels	8
Operating mode	100% operating factor

### Insulation characteristics: Air clearances and creepage distances

Insulation	Functional insulation
Overvoltage category	II
Pollution degree	2

### Electrical properties

Operating voltage (AC)	≤ 30 V AC
Operating voltage (DC)	≤ 60 V DC
Current (per branch)	≤ 1 A
Current (Terminal block 9, 10, 19, 20, 29, 30, 39, 40)	≤ 2 A

### Air clearances and creepage distances

Rated insulation voltage	63 V
Rated surge voltage	0.6 kV (1.2/50 μs)

### Supported controller: SIEMENS S7-1500

Suitable I/O card	6ES7531-7KF00-0AB0
	6ES7531-7MH00-0AB0
	6ES7531-7NF00-0AB0
	6ES7531-7NF10-0AB0
	6ES7531-7PF00-0AB0
	6ES7532-5HF00-0AB0

### Connection data

#### Connection 1 (control level)

Connection in acc. with standard	IEC 60603-13
Connection method	IDC/FLK pin strip
Number of connections	1
Number of positions	50
Insertion/withdrawal cycles	> 50
Pitch	2.54 mm

#### Connection 2 (field level)

Connection method	Screw connection with disconnect knife
Stripping length	8 mm
Screw thread	M3
Number of positions	40

# FLKM 50/KDS3-MT/PPA/S7-1500 - Termination board



2909893

<https://www.phoenixcontact.com/us/products/2909893>

Conductor cross-section rigid	0.2 mm <sup>2</sup> ... 4 mm <sup>2</sup>
Conductor cross-section rigid (2 conductors with same cross section)	0.2 mm <sup>2</sup> ... 1 mm <sup>2</sup>
Conductor cross-section flexible	0.2 mm <sup>2</sup> ... 4 mm <sup>2</sup>
	0.25 mm <sup>2</sup> ... 2.5 mm <sup>2</sup> (Ferrule without plastic sleeve)
	0.25 mm <sup>2</sup> ... 1.5 mm <sup>2</sup> (Ferrule with plastic sleeve)
Conductor cross-section flexible (2 conductors with same cross section)	0.2 mm <sup>2</sup> ... 1 mm <sup>2</sup>
	0.25 mm <sup>2</sup> ... 0.75 mm <sup>2</sup> (Ferrule without plastic sleeve)
	0.5 mm <sup>2</sup> ... 1 mm <sup>2</sup> (TWIN ferrule with plastic sleeve)
Conductor cross-section AWG	24 ... 12
Tightening torque	0.5 Nm ... 0.6 Nm
Pitch	5.08 mm

## Connection 3 (field level)

Connection method	Test socket
Number of positions	40

## Signaling

Status display present	no
------------------------	----

## Dimensions

### Item dimensions

Width	213.45 mm
Height	77 mm
Depth	52.29 mm

## Material specifications

Color	gray (RAL 7042)
-------	-----------------

## Environmental and real-life conditions

### Ambient conditions

Degree of protection (Module)	IP00
Degree of protection (Installation location)	≥ IP54
Ambient temperature (operation)	-20 °C ... 70 °C
Ambient temperature (storage/transport)	-20 °C ... 70 °C
Altitude	≤ 2000 m

## Approvals

### UKCA

Certificate	UKCA-compliant
-------------	----------------

## Standards and regulations

### Air clearances and creepage distances

Standards/regulations	EN IEC 60664-1
-----------------------	----------------

# FLKM 50/KDS3-MT/PPA/S7-1500 - Termination board



2909893

<https://www.phoenixcontact.com/us/products/2909893>

## Mounting

Mounting type	DIN rail mounting
Mounting position	any

## Notes

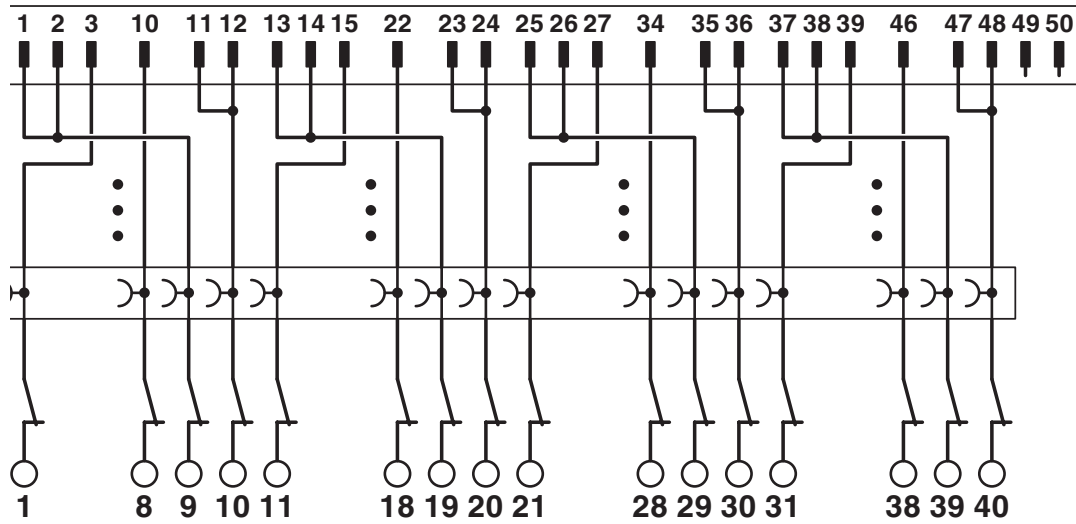
Notes on operation	For proper use, the specifications of the installation directive (see Downloads) must be observed. For applications or use with third-party products, the specifications, and the safety and warning instructions of the respective third-party manufacturer must also be met.
--------------------	--

2909893

<https://www.phoenixcontact.com/us/products/2909893>

## Drawings

Circuit diagram



2909893

<https://www.phoenixcontact.com/us/products/2909893>

## Approvals

To download certificates, visit the product detail page: <https://www.phoenixcontact.com/us/products/2909893>



**UL Listed**

Approval ID: E238705



**cUL Listed**

Approval ID: E238705

2909893

<https://www.phoenixcontact.com/us/products/2909893>

## Classifications

### ECLASS

ECLASS-13.0	27141152
ECLASS-15.0	27141152

### ETIM

ETIM 10.0	EC002780
-----------	----------

### UNSPSC

UNSPSC 21.0	39121400
-------------	----------

2909893

<https://www.phoenixcontact.com/us/products/2909893>

## Environmental product compliance

### EU RoHS

Fulfills EU RoHS substance requirements	Yes
Exemption	6(c)

### China RoHS

Environment friendly use period (EFUP)	EFUP-50
	An article-related China RoHS declaration table can be found in the download area for the respective article under "Manufacturer declaration". For all articles with EFUP-E, no China RoHS declaration table issued and required.

### EU REACH SVHC

REACH candidate substance (CAS No.)	Lead(CAS: 7439-92-1)
SCIP	671d311e-8e07-45ca-8891-41127799a6eb

Phoenix Contact 2026 © - all rights reserved

<https://www.phoenixcontact.com>

Phoenix Contact USA  
 586 Fulling Mill Road  
 Middletown, PA 17057, United States  
 (+717) 944-1300  
[info@phoenixcon.com](mailto:info@phoenixcon.com)