

# VAL-US 60/1+1/1U/FM - Type 2 surge arrester



2909630

<https://www.phoenixcontact.com/us/products/2909630>

Please be informed that the data shown in this PDF document is generated from our online catalog. Please find the complete data in the user documentation. Our general terms of use for downloads are valid.

Universal varistor-based plug-in surge arrester for 48 - 60 V DC applications with two conductors plus ground, with remote indication contact



## Your advantages

- Dual-channel, panel mountable surge protective device
- Orthogonal mounting orientation to plug
- Base element with floating remote indication contact
- Rack-mount 1U panel applications

## Commercial data

Item number	2909630
Packing unit	1 pc
Minimum order quantity	6 pc
Sales key	CL18
Product key	CL1321
GTIN	4055626370538
Weight per piece (including packing)	222.22 g
Weight per piece (excluding packing)	222.22 g
Customs tariff number	85363010
Country of origin	US

# VAL-US 60/1+1/1U/FM - Type 2 surge arrester



2909630

<https://www.phoenixcontact.com/us/products/2909630>

## Technical data

### Product properties

Product type	Surge protection for NEMA power supply units
Product family	VALVETRAB MS
IEC test classification	II T2
EN type	T2
IEC power supply system	TN-S
Type	DIN rail module, two-section, divisible
Surge protection fault message	Optical, remote indicator contact
Number of ports	One

### Insulation characteristics

Pollution degree	2
------------------	---

### Electrical properties

Nominal frequency $f_N$	50 Hz (60 Hz)
-------------------------	---------------

### Indicator/remote signaling

Connection name	Remote fault indicator contact
Switching function	Changeover contact
Operating voltage	5 V AC ... 250 V AC 125 V AC (UL) 125 V DC (200 mA DC)
Operating current	5 mA AC ... 1.5 A 1 A (UL) 1 A (30 V DC)

### Connection data

Connection method	Screw connection
Screw thread	M5
Tightening torque	2.5 Nm ... 3 Nm 22 lb <sub>F</sub> -in. ... 26.5 lb <sub>F</sub> -in. (UL)
Stripping length	16 mm
Conductor cross-section flexible min.	1.5 mm <sup>2</sup>
Conductor cross-section flexible max.	25 mm <sup>2</sup>
Conductor cross-section, rigid min.	1.5 mm <sup>2</sup>
Conductor cross-section, rigid max.	35 mm <sup>2</sup>
Conductor cross-section AWG	15 ... 2 10 ... 2 (UL)

### Remote fault indicator contact

Connection method	Push-in spring connection
Stripping length	6 mm

# VAL-US 60/1+1/1U/FM - Type 2 surge arrester

2909630

<https://www.phoenixcontact.com/us/products/2909630>

Conductor cross-section flexible min.	0.2 mm <sup>2</sup>
Conductor cross-section flexible max.	0.5 mm <sup>2</sup>
Conductor cross-section, rigid min.	0.14 mm <sup>2</sup>
Conductor cross-section, rigid max.	0.5 mm <sup>2</sup>
Conductor cross-section AWG	24 ... 20 (UL)

## Dimensions

Dimensional drawing	
Width	70.6 mm
Height	40.6 mm
Rack unit	1 U
Depth	85.6 mm

## Material specifications

Color	gray (RAL 7042)
	gray (RAL 7042)
Flammability rating according to UL 94	V-0
Housing material	PA 6.6
	PBT

## Mechanical properties

### Mechanical data

Open side panel	No
-----------------	----

## Protective circuit

Mode of protection	L-N
	N-PE
Direction of action	L-N & L(N)-PE
Nominal voltage $U_N$	60 V AC $\pm 10\%$ (TN-S)
	-48 V DC $\pm 10\%$ (RRH)
Nominal frequency $f_N$	50 Hz (60 Hz)
Maximum continuous operating voltage $U_C$	75 V AC
	100 V DC
Rated load current $I_L$	80 A
Protective conductor current $I_{PE}$	$\leq 0.45$ mA
Standby power consumption $P_C$	$\leq 35$ mVA
Nominal discharge current $I_n$ (8/20) $\mu$ s	15 kA
Maximum discharge current $I_{max}$ (8/20) $\mu$ s	40 kA
Short-circuit current rating $I_{SCCR}$	25 kA

# VAL-US 60/1+1/1U/FM - Type 2 surge arrester



2909630

<https://www.phoenixcontact.com/us/products/2909630>

Voltage protection level $U_p$	$\leq 0.55$ kV
Residual voltage $U_{res}$	$\leq 0.55$ kV (at $I_n$ )
	$\leq 0.425$ kV (at 10 kA)
	$\leq 0.325$ kV (at 5 kA)
	$\leq 0.275$ kV (at 3 kA)
TOV behavior at $U_T$	100 V AC (5 s / withstand mode)
Response time $t_A$	$\leq 25$ ns
Max. backup fuse with V-type through wiring	80 A AC (gG - 16 mm <sup>2</sup> )
Max. backup fuse with branch wiring	160 A AC (gG)

## Additional technical data

Maximum discharge current $I_{max}$ (8/20) $\mu$ s	40 kA
--	-------

## Environmental and real-life conditions

### Ambient conditions

Degree of protection	IP20 (only when all terminal points are used)
Ambient temperature (operation)	-40 °C ... 80 °C
Ambient temperature (storage/transport)	-40 °C ... 80 °C
Altitude	$\leq 2000$ m (amsl)
Permissible humidity (operation)	5 % ... 95 %
Shock (operation)	30g (Half-sine / 11 ms / 3x $\pm$ X, $\pm$ Y, $\pm$ Z)
Vibration (operation)	7.5g (10 ... 500 Hz / 2.5 h / X, Y, Z)

## Approvals

### UL specifications

Maximum continuous operating voltage MCOV (L-N)	75 V AC
	100 V DC
Mode of protection	N-G
	L-N
	(L+) - (L-)
	(L+) - G
(L-) - G	
Nominal voltage	60 V DC
Power distribution system	DC
SPD Type	4CA

### UL indicator/remote signaling

Operating voltage	125 V AC
AC operating current	1 A AC

### UL connection data

Tightening torque	30 lb <sub>f</sub> -in.
Conductor cross-section AWG	10 ... 2

## Mounting

# VAL-US 60/1+1/1U/FM - Type 2 surge arrester

2909630

<https://www.phoenixcontact.com/us/products/2909630>



Mounting type	Panel mount
---------------	-------------

# VAL-US 60/1+1/1U/FM - Type 2 surge arrester

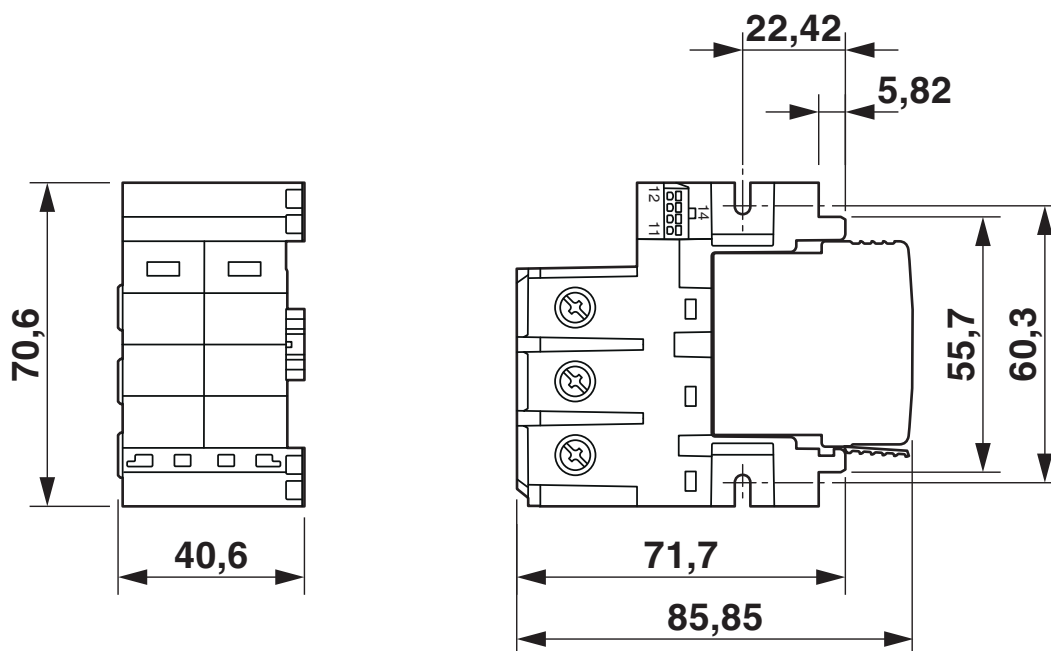


2909630

<https://www.phoenixcontact.com/us/products/2909630>

## Drawings

Dimensional drawing



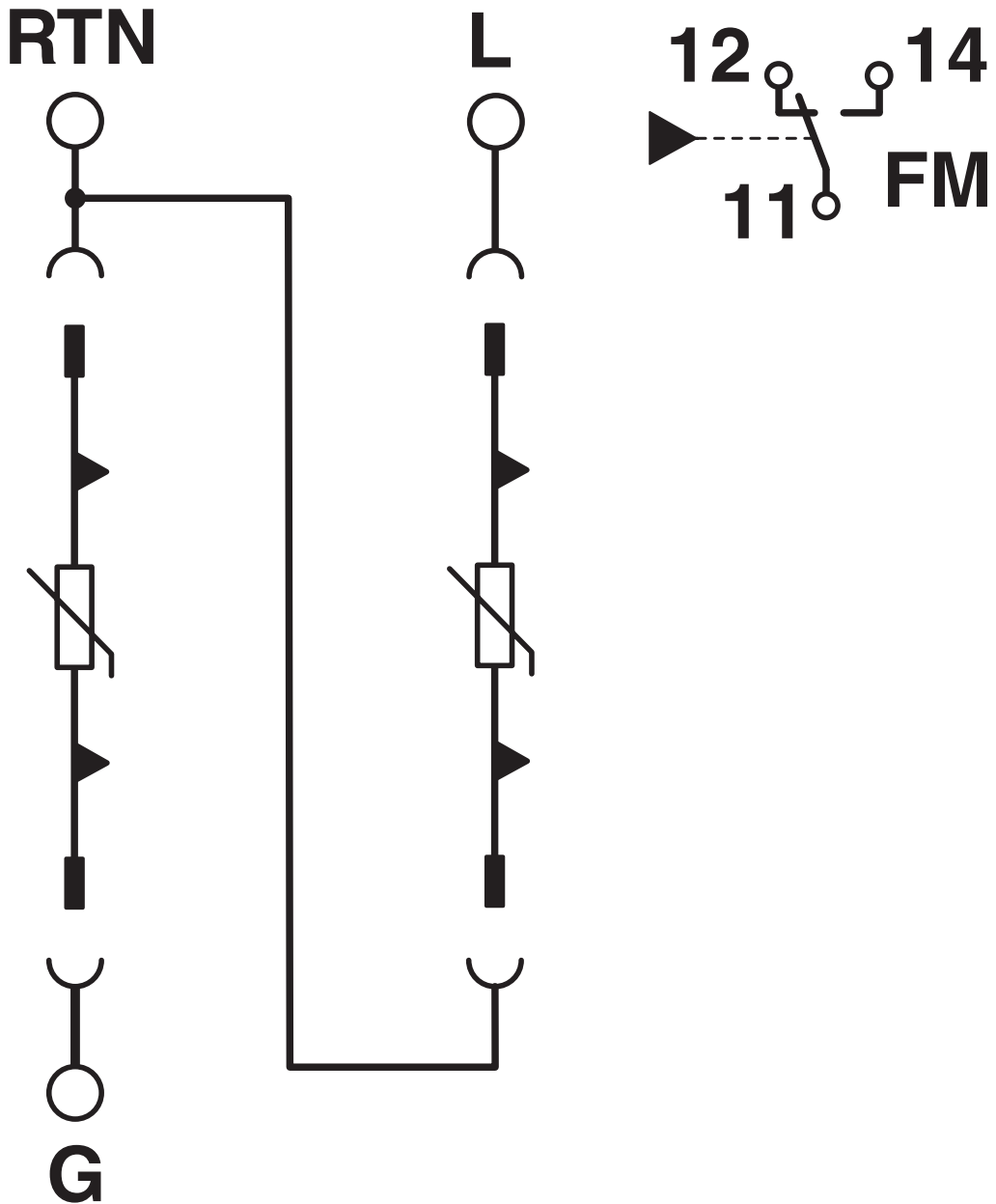
# VAL-US 60/1+1/1U/FM - Type 2 surge arrester



2909630

<https://www.phoenixcontact.com/us/products/2909630>

Circuit diagram



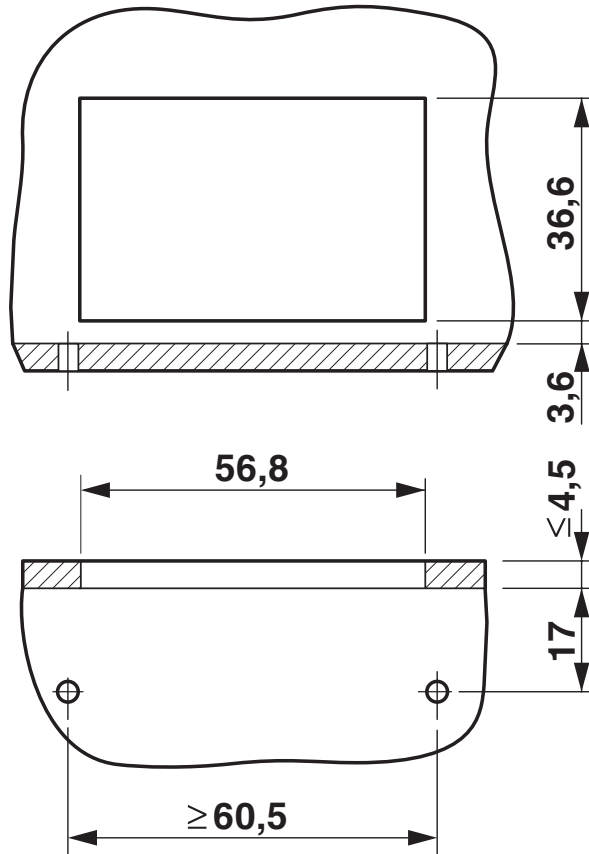
# VAL-US 60/1+1/1U/FM - Type 2 surge arrester

2909630

<https://www.phoenixcontact.com/us/products/2909630>



Drilling plan/solder pad geometry



# VAL-US 60/1+1/1U/FM - Type 2 surge arrester



2909630

<https://www.phoenixcontact.com/us/products/2909630>

## Classifications

### ECLASS

ECLASS-13.0	27171202
ECLASS-15.0	27171202

### ETIM

ETIM 10.0	EC000941
-----------	----------

### UNSPSC

UNSPSC 21.0	39121600
-------------	----------

# VAL-US 60/1+1/1U/FM - Type 2 surge arrester



2909630

<https://www.phoenixcontact.com/us/products/2909630>

## Environmental product compliance

### China RoHS

Environment friendly use period (EFUP)	EFUP-50
	An article-related China RoHS declaration table can be found in the download area for the respective article under "Manufacturer declaration". For all articles with EFUP-E, no China RoHS declaration table issued and required.

### EU REACH SVHC

REACH candidate substance (CAS No.)	No substance above 0.1 wt%
-------------------------------------	----------------------------

Phoenix Contact 2026 © - all rights reserved  
<https://www.phoenixcontact.com>

Phoenix Contact USA  
586 Fulling Mill Road  
Middletown, PA 17057, United States  
(+717) 944-1300  
[info@phoenixcon.com](mailto:info@phoenixcon.com)