

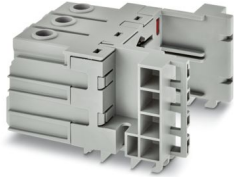
VAL-MS BE/1+1/1U/FM - Base element

2909628

<https://www.phoenixcontact.com/us/products/2909628>

Please be informed that the data shown in this PDF document is generated from our online catalog. Please find the complete data in the user documentation. Our general terms of use for downloads are valid.

Universal plug-in surge arrester base for up to 240 V applications with two conductors plus ground, with remote indication contact



Your advantages

- Dual-channel, panel mountable surge protective device
- Orthogonal mounting orientation to plug
- Base element with floating remote indication contact
- Rack-mount 1U panel applications

Commercial data

Item number	2909628
Packing unit	1 pc
Minimum order quantity	6 pc
Sales key	NULL
Product key	CL1151
GTIN	4055626370552
Weight per piece (including packing)	222.22 g
Weight per piece (excluding packing)	222.22 g
Customs tariff number	85363010
Country of origin	US

VAL-MS BE/1+1/1U/FM - Base element



2909628

<https://www.phoenixcontact.com/us/products/2909628>

Technical data

Notes

General

Note	For installation into a touch protected cabinet. For applications with $U_C > 500$ V distances at the side and distances at the connection area must be minimum of 5 mm between different active parts including earthed parts.
------	---

Product properties

Product type	Base element
Product family	VALVETRAB MS
IEC test classification	I / II T1 / T2 I
EN type	T1 / T2
IEC power supply system	TN-S
Type	DIN rail module, two-section, divisible
Number of positions	2
Surge protection fault message	Remote indication contact
Number of ports	One

Insulation characteristics

Pollution degree	2
------------------	---

Electrical properties

Nominal frequency f_N	50 Hz (60 Hz)
-------------------------	---------------

Indicator/remote signaling

Connection name	Remote fault indicator contact
Switching function	Changeover contact
Operating voltage	5 V AC ... 250 V AC 125 V AC (UL) 125 V DC (200 mA DC)
Operating current	5 mA AC ... 1.5 A 1 A (UL) 1 A (30 V DC)

Connection data

Connection method	Screw connection
Screw thread	M5
Tightening torque	2.5 Nm ... 3 Nm 22 lb _F -in. ... 26.5 lb _F -in. (UL)
Stripping length	16 mm
Conductor cross-section flexible min.	1.5 mm ²

VAL-MS BE/1+1/1U/FM - Base element



2909628

<https://www.phoenixcontact.com/us/products/2909628>

Conductor cross-section flexible max.	25 mm ²
Conductor cross-section, rigid min.	1.5 mm ²
Conductor cross-section, rigid max.	35 mm ²
Conductor cross-section AWG	15 ... 2
	10 ... 2 (UL)

Remote fault indicator contact

Connection method	Push-in spring connection
Stripping length	6 mm
Conductor cross-section flexible min.	0.2 mm ²
Conductor cross-section flexible max.	0.5 mm ²
Conductor cross-section, rigid min.	0.14 mm ²
Conductor cross-section, rigid max.	0.5 mm ²
Conductor cross-section AWG	24 ... 20 (UL)

Dimensions

Dimensional drawing	
Width	70.6 mm
Height	40.6 mm
Rack unit	1 U
Depth	71.7 mm

Material specifications

Color	gray (RAL 7042)
	gray (RAL 7042)
Flammability rating according to UL 94	V-0
Housing material	PA 6.6
	PBT

Mechanical properties

Mechanical data

Open side panel	No
-----------------	----

Protective circuit

Mode of protection	L-N
	N-PE
Direction of action	L-N & L(N)-PE
Nominal frequency f_N	50 Hz (60 Hz)
Maximum continuous operating voltage U_C	480 V AC
Short-circuit current rating I_{SCCR}	25 kA

VAL-MS BE/1+1/1U/FM - Base element



2909628

<https://www.phoenixcontact.com/us/products/2909628>

Max. backup fuse with V-type through wiring	80 A AC (gG - 16 mm ²)
Max. backup fuse with branch wiring	160 A AC (gG)

Environmental and real-life conditions

Ambient conditions

Degree of protection	IP20 (only when all terminal points are used)
Ambient temperature (operation)	-40 °C ... 80 °C
Ambient temperature (storage/transport)	-40 °C ... 80 °C
Altitude	≤ 2000 m (amsl)
Permissible humidity (operation)	5 % ... 95 %
Shock (operation)	30g (Half-sine / 11 ms / 3x ±X, ±Y, ±Z)
Vibration (operation)	7.5g (10 ... 500 Hz / 2.5 h / X, Y, Z)

Approvals

UL specifications

SPD Type	4CA
----------	-----

UL indicator/remote signaling

Operating voltage	125 V AC
-------------------	----------

UL connection data

Tightening torque	30 lb _f -in.
Conductor cross-section AWG	10 ... 2

Mounting

Mounting type	DIN rail: 35 mm
---------------	-----------------

VAL-MS BE/1+1/1U/FM - Base element

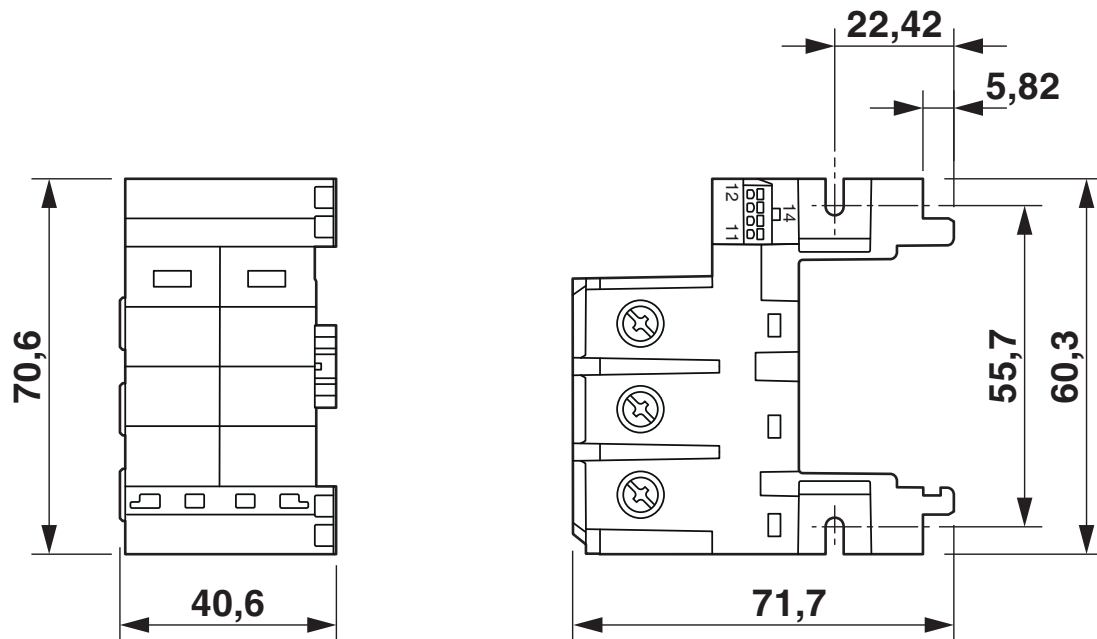


2909628

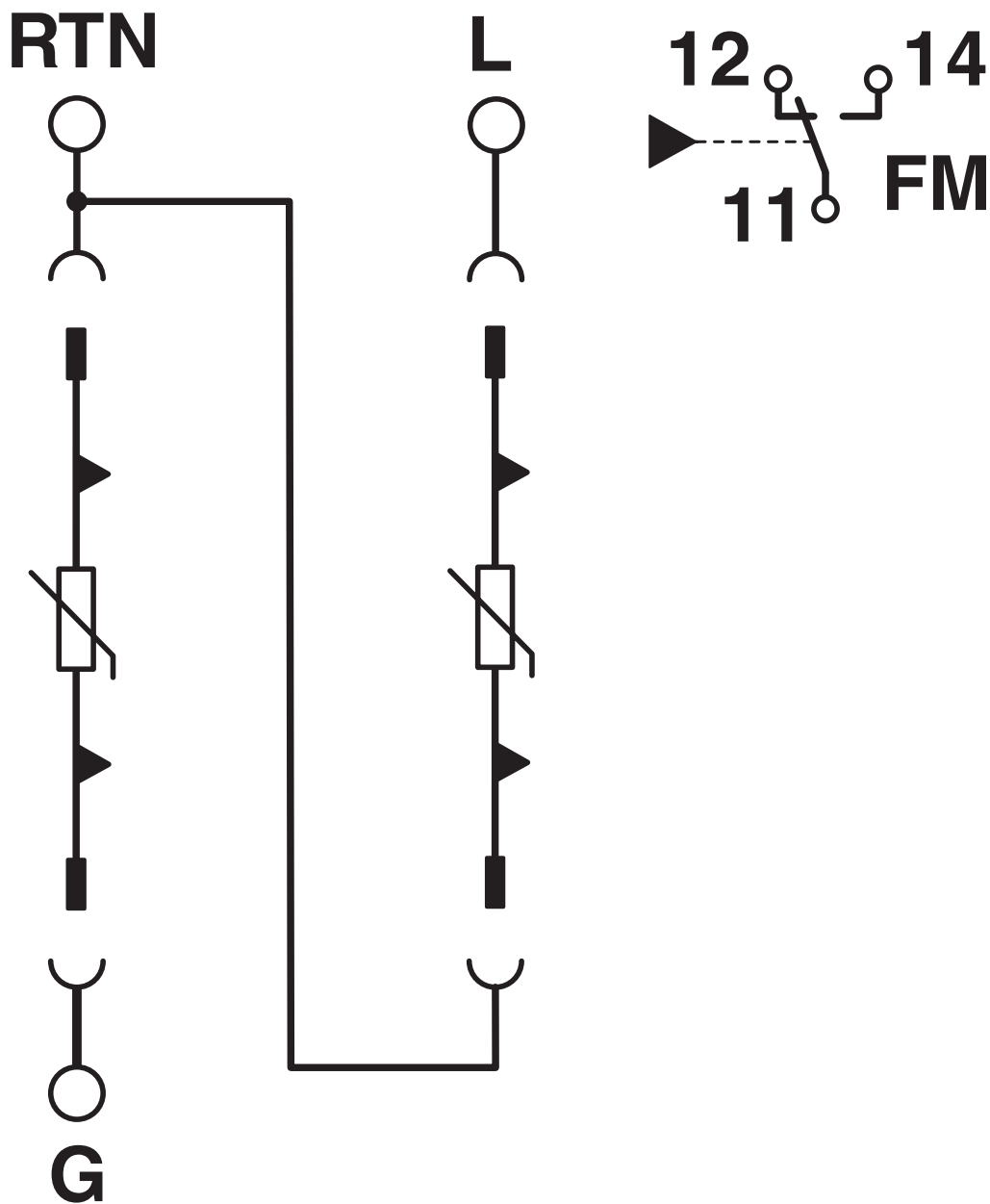
<https://www.phoenixcontact.com/us/products/2909628>

Drawings

Dimensional drawing



Circuit diagram



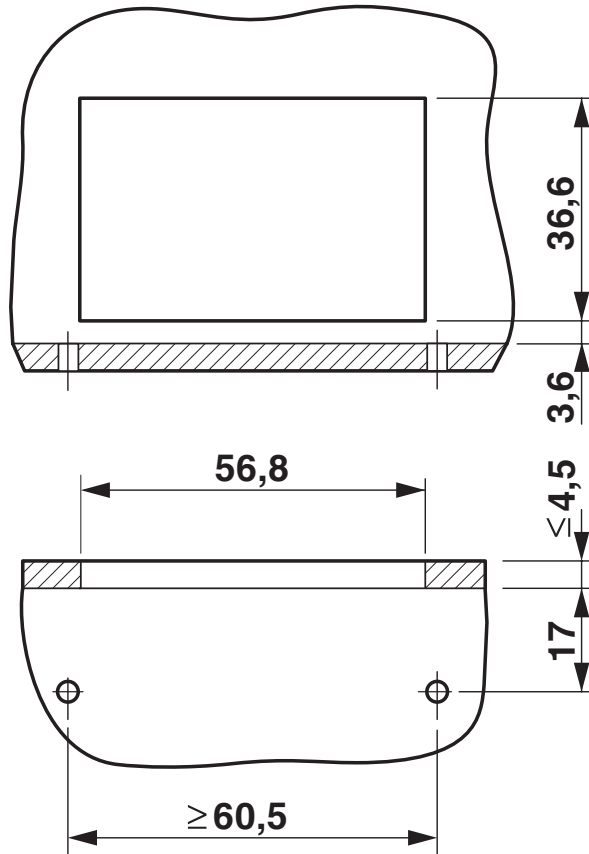
VAL-MS BE/1+1/1U/FM - Base element

2909628

<https://www.phoenixcontact.com/us/products/2909628>



Drilling plan/solder pad geometry



VAL-MS BE/1+1/1U/FM - Base element



2909628

<https://www.phoenixcontact.com/us/products/2909628>

Classifications

ECLASS

ECLASS-13.0

27171292

ETIM

ETIM 9.0

EC002496

UNSPSC

UNSPSC 21.0

39121600

VAL-MS BE/1+1/1U/FM - Base element



2909628

<https://www.phoenixcontact.com/us/products/2909628>

Environmental product compliance

China RoHS

Environment friendly use period (EFUP)	EFUP-50
	An article-related China RoHS declaration table can be found in the download area for the respective article under "Manufacturer declaration". For all articles with EFUP-E, no China RoHS declaration table issued and required.

EU REACH SVHC

REACH candidate substance (CAS No.)	No substance above 0.1 wt%
-------------------------------------	----------------------------

Phoenix Contact 2026 © - all rights reserved
<https://www.phoenixcontact.com>

Phoenix Contact USA
586 Fulling Mill Road
Middletown, PA 17057, United States
(+717) 944-1300
info@phoenixcon.com