

FLX-D37F/32OSC/24DC/DI/TDC3K - Active module



2908888

<https://www.phoenixcontact.com/us/products/2908888>

Please be informed that the data shown in this PDF document is generated from our online catalog. Please find the complete data in the user documentation. Our general terms of use for downloads are valid.



Migration board for converting TDC3000 to modern control platforms, digital input, 32 channel, SSR

Your advantages

- Panel mount to existing TDC3000 chassis
- Compatible with existing pluggable field wiring connectors
- DSUB control side connection
- Terminal blocks for power supply

Commercial data

Item number	2908888
Packing unit	1 pc
Minimum order quantity	1 pc
Sales key	C421
Product key	DK2B9H
GTIN	4055626733050
Weight per piece (including packing)	1,784 g
Weight per piece (excluding packing)	1,750 g
Customs tariff number	85371098
Country of origin	US

2908888

<https://www.phoenixcontact.com/us/products/2908888>

Technical data

Product properties

Product type	Interface module
--------------	------------------

Insulation characteristics

Overvoltage category	II
Pollution degree	2

Electrical properties

Supported controller: HONEYWELL TDC3000

Suitable I/O card	TDID12
-------------------	--------

Input data

Nominal input voltage U_N	24 V DC
Input voltage range	10 V DC ... 32 V DC
Typical input current at U_N	20 mA

Output data

Switching

Maximum switching voltage	30 V DC
Limiting continuous current	50 mA
Error detection (line break / short-circuit)	no

Connection data

Controller level

Connection method	D-SUB 37 female connector
Number of connections	2
Number of positions	37

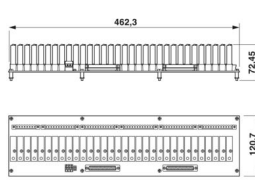
Field level

Connection method	pluggable
-------------------	-----------

Signaling

Status display present	yes
------------------------	-----

Dimensions

Dimensional drawing	
---------------------	--

FLX-D37F/32OSC/24DC/DI/TDC3K - Active module



2908888

<https://www.phoenixcontact.com/us/products/2908888>

Width	462.3 mm
Height	120.7 mm
Depth	72.45 mm

Environmental and real-life conditions

Ambient conditions

Ambient temperature (operation)	-40 °C ... 70 °C
Ambient temperature (storage/transport)	-40 °C ... 75 °C
Altitude	< 2000 m
Permissible humidity (operation)	< 90 %

Mounting

Mounting type	TDC3000 chassis
Mounting position	any

Notes

Notes on operation	For proper use, the specifications of the installation directive (see Downloads) must be observed. For applications or use with third-party products, the specifications, and the safety and warning instructions of the respective third-party manufacturer must also be met.
--------------------	--

FLX-D37F/32OSC/24DC/DI/TDC3K - Active module

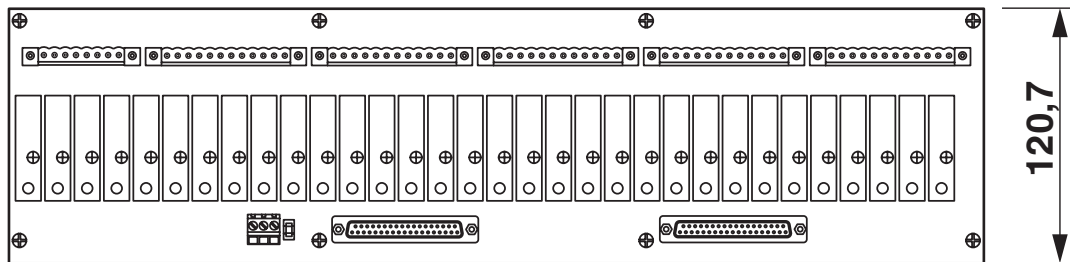
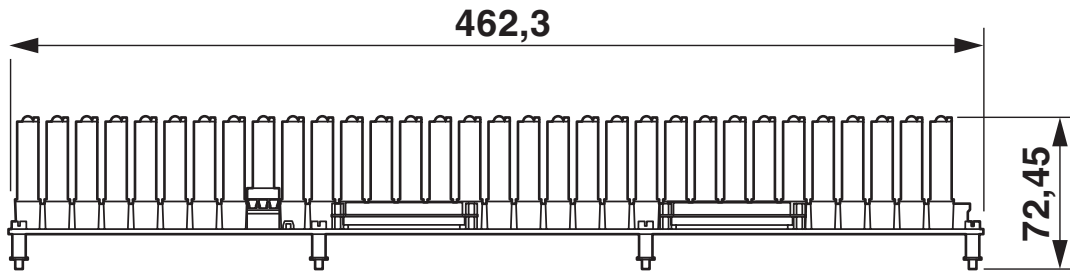


2908888

<https://www.phoenixcontact.com/us/products/2908888>

Drawings

Dimensional drawing



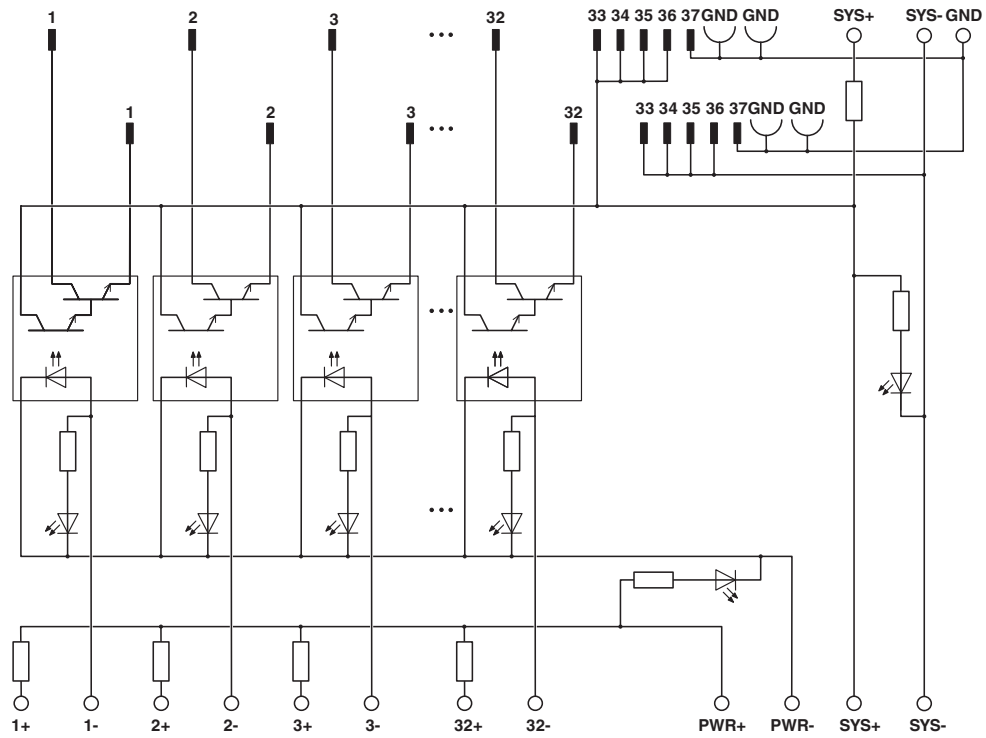
FLX-D37F/32OSC/24DC/DI/TDC3K - Active module



2908888

<https://www.phoenixcontact.com/us/products/2908888>

Circuit diagram





2908888

<https://www.phoenixcontact.com/us/products/2908888>

Approvals

To download certificates, visit the product detail page: <https://www.phoenixcontact.com/us/products/2908888>

 cUL Recognized Approval ID: FILE E 238705				
	Nominal voltage U_N	Nominal current I_N	Cross section AWG	Cross section mm^2
keine				
Output	-	0.05 A	-	-
Input	-	0.025 A	-	-

 UL Recognized Approval ID: FILE E 238705				
	Nominal voltage U_N	Nominal current I_N	Cross section AWG	Cross section mm^2
keine				
Output	-	0.05 A	-	-
Input	-	0.025 A	-	-

2908888

<https://www.phoenixcontact.com/us/products/2908888>

Classifications

ECLASS

ECLASS-13.0	27141152
ECLASS-15.0	27141152

ETIM

ETIM 10.0	EC002780
-----------	----------

UNSPSC

UNSPSC 21.0	39121400
-------------	----------

2908888

<https://www.phoenixcontact.com/us/products/2908888>

Environmental product compliance

EU RoHS

Fulfills EU RoHS substance requirements	Yes
Exemption	6(a), 6(a)-I, 6(c), 7(a), 7(c)-I

China RoHS

Environment friendly use period (EFUP)	EFUP-50
	An article-related China RoHS declaration table can be found in the download area for the respective article under "Manufacturer declaration". For all articles with EFUP-E, no China RoHS declaration table issued and required.

EU REACH SVHC

REACH candidate substance (CAS No.)	Lead(CAS: 7439-92-1)
SCIP	3e7235c2-51f6-45b7-b152-379214bd50e8

Phoenix Contact 2026 © - all rights reserved
<https://www.phoenixcontact.com>

Phoenix Contact USA
 586 Fulling Mill Road
 Middletown, PA 17057, United States
 (+717) 944-1300
info@phoenixcon.com