

VIP/MSTB/D50M/BASE/16CH/CX/EX - Base module



2908788

<https://www.phoenixcontact.com/us/products/2908788>

Please be informed that the data shown in this PDF document is generated from our online catalog. Please find the complete data in the user documentation. Our general terms of use for downloads are valid.



16-channel VIP I/O marshalling base element for universal use. Plug-in field and supply terminals available as accessories. With Push-in connection technology. Compatible with the Tricon CX DCS series (D-SUB 50).

Your advantages

- Integrated carrier for IOA insertion and retention
- Screw and push-in (PT) plug kits available as separate part numbers
- Terminals for redundant power supply connections with fusing
- Each channel has four field-side connections (A, B, C, D)
- IOA modules sold separately

Commercial data

Item number	2908788
Packing unit	1 pc
Minimum order quantity	1 pc
Note	Made to order (non-returnable)
Sales key	C480
Product key	DK115A
GTIN	4055626477992
Weight per piece (including packing)	755.5 g
Weight per piece (excluding packing)	730.7 g
Customs tariff number	85366990
Country of origin	CN

2908788

<https://www.phoenixcontact.com/us/products/2908788>

Technical data

Product properties

Product type	Module carrier
Product family	VIP I/O-Marshalling
No. of channels	16

Insulation characteristics

Overvoltage category	II, III
Pollution degree	2

Electrical properties

Operating voltage U_{max}	≤ 30 V DC (field terminals)
	≤ 230 V AC (field terminals)
	≤ 30 V DC (A and B terminals)
	≤ 30 V DC (D-SUB 50 connector)
	\leq
Current (per branch)	≤ 3 A (field signal)
	≤ 0.5 A (control contacts)
Current ()	3 A
Current ()	10 A

Connection data

Field level

Connection in acc. with standard	IEC / EN
Connection method	pluggable
Number of connections	4
Number of positions	16

Controller level

Connection method	D-SUB pin strip
Number of connections	1
Number of positions	50

Ex data

Safety data

Input voltage U_i	30 V (per channel)
Input current I_i	0.5 A (per channel)
Inductance L_i	0 mH
Capacitance C_i	0 μ F
Safety-related maximum voltage U_m	253 V AC/DC (A and B terminals and D-SUB 50)

Signaling

Status display	no
----------------	----

2908788

<https://www.phoenixcontact.com/us/products/2908788>

Status display present	no
------------------------	----

Dimensions

Item dimensions

Width	250 mm
Height	142.3 mm
Depth	78 mm

Material specifications

Color	gray (RAL 7042)
-------	-----------------

Environmental and real-life conditions

Ambient conditions

Degree of protection	IP20
Ambient temperature (operation)	-40 °C ... 70 °C
Ambient temperature (storage/transport)	-40 °C ... 70 °C
Altitude	< 2000 m
Permissible humidity (operation)	0 % ... 95 % (non-condensing)

Approvals

ATEX

Identification	⊕ II 3G Ex ec IIC T4 Gc
Certificate	JSHP 24ATEX0051X

IECEX

Identification	Ex ec IIC T4 Gc
Certificate	IECEX JSH 24.0014X

UKEX

Identification	⊕ II 3G Ex ec IIC T4 Gc
Certificate	PxCIF23UKEX2908788X

CCC/China Ex

Identification	Ex ec IIC T4 Gc
Certificate	2025122308124416

CSA, USA/Canada

Identification	Class I, Div. 2 Groups A, B, C, D T4
	Class I, Zone 2, AEx nA IIC T4 Gc
	Ex nA IIC T4 Gc

Standards and regulations

Standards/regulations	IEC 60664
	DIN EN 50178

VIP/MSTB/D50M/BASE/16CH/CX/EX - Base module



2908788

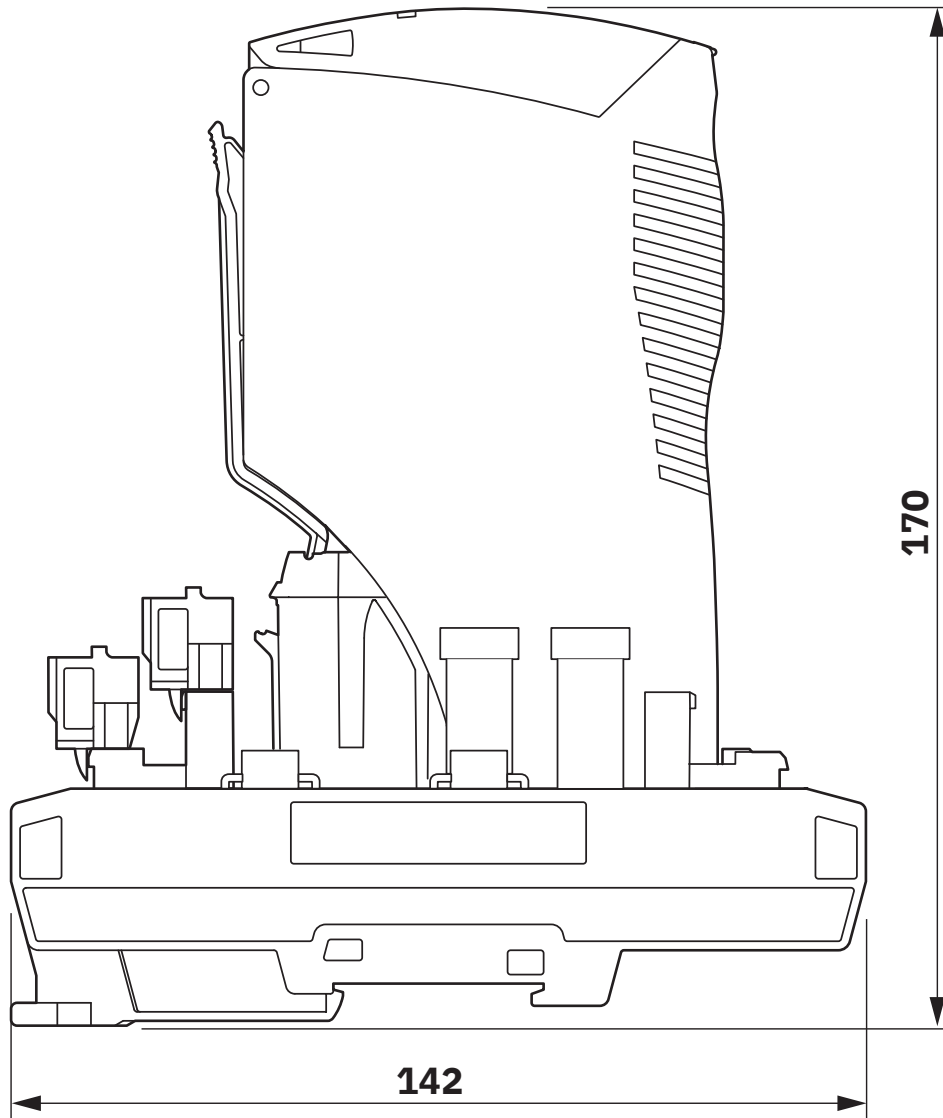
<https://www.phoenixcontact.com/us/products/2908788>

Mounting

Mounting type	DIN rail mounting
Mounting position	As desired on 35 mm DIN rail in acc. with EN 60715

Drawings

Dimensional drawing



Termination board including IOA and accessories

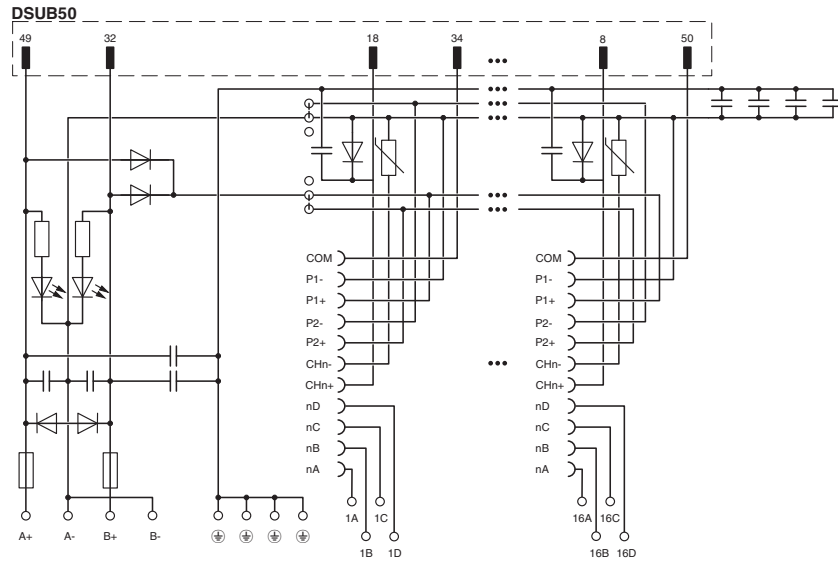
VIP/MSTB/D50M/BASE/16CH/CX/EX - Base module



2908788

<https://www.phoenixcontact.com/us/products/2908788>

Circuit diagram



2908788

<https://www.phoenixcontact.com/us/products/2908788>

Approvals

To download certificates, visit the product detail page: <https://www.phoenixcontact.com/us/products/2908788>



IECEX

Approval ID: IECEX JSH 24.0014X



CSA

Approval ID: 70167152



CSAus

Approval ID: 70167152



CCC

Approval ID: 2025122308124416

ATEX

Approval ID: JSHP 24ATEX 0051X

2908788

<https://www.phoenixcontact.com/us/products/2908788>

Classifications

ECLASS

ECLASS-13.0	27141152
ECLASS-15.0	27141152

ETIM

ETIM 10.0	EC002780
-----------	----------

UNSPSC

UNSPSC 21.0	39121400
-------------	----------

2908788

<https://www.phoenixcontact.com/us/products/2908788>

Environmental product compliance

EU RoHS

Fulfills EU RoHS substance requirements	Yes
Exemption	6(c), 7(a), 7(c)-I

China RoHS

Environment friendly use period (EFUP)	EFUP-50
	An article-related China RoHS declaration table can be found in the download area for the respective article under "Manufacturer declaration". For all articles with EFUP-E, no China RoHS declaration table issued and required.

EU REACH SVHC

REACH candidate substance (CAS No.)	Lead(CAS: 7439-92-1)
SCIP	9094823a-fcc5-4004-b761-5a5bb4b29c28

Phoenix Contact 2026 © - all rights reserved

<https://www.phoenixcontact.com>

Phoenix Contact USA
586 Fulling Mill Road
Middletown, PA 17057, United States
(+717) 944-1300
info@phoenixcon.com