

# FA MCR-DS-I-I-OLP - Digital display



2908781

<https://www.phoenixcontact.com/us/products/2908781>

Please be informed that the data shown in this PDF document is generated from our online catalog. Please find the complete data in the user documentation. Our general terms of use for downloads are valid.

Output loop-powered process indicator for installation in the control cabinet. HART



## Commercial data

Item number	2908781
Packing unit	1 pc
Minimum order quantity	1 pc
Sales key	C401
Product key	DK1141
GTIN	4055626357089
Weight per piece (including packing)	332 g
Weight per piece (excluding packing)	332 g
Customs tariff number	90328900
Country of origin	DE

## Technical data

### Product properties

Product type	Digital displays
Product family	Field Analog
Configuration	Keyboard
	Software

### System properties

#### Functionality

Configuration	Keyboard
	Software

### Electrical properties

Maximum temperature coefficient	< 0.02 %/K
Maximum transmission error	0.1 % (of final value)

#### Supply

Supply voltage range	loop-powered, no external supply necessary
----------------------	--

### Input data

#### Signal: Current

Current input signal	4 mA ... 20 mA
Max. current input signal	200 mA
Voltage drop	≤ 1 V
	≤ 3.9 V (with display lighting)
Input impedance	≈ $\ominus \downarrow \Omega$

#### Signal: HART

Current input signal	up to 4x HART process variables
Voltage drop	≤ 1.9 V
	≤ 4.8 V (with display lighting)
Input impedance	$R_x = 40 \Omega / C_x = 2.3 \text{ nF}$

### Output data

#### Signal: Current

Current output signal	4 mA ... 20 mA
Number of positions displayed	5
Display	7-segment LC display, with backlight, dot matrix for text/bar graph
Display value	scalable

#### Signal: HART

Current output signal	up to 4x HART process variables
-----------------------	---------------------------------

# FA MCR-DS-I-I-OLP - Digital display



2908781

<https://www.phoenixcontact.com/us/products/2908781>

## Connection data

Connection method	Push-in connection
Stripping length	9 mm
Conductor cross-section rigid	0.14 mm <sup>2</sup> ... 1.5 mm <sup>2</sup>
Conductor cross-section flexible	0.14 mm <sup>2</sup> ... 1.5 mm <sup>2</sup>
Conductor cross-section AWG	26 ... 16

## Interfaces

### Data communication (bypass)

Protocols supported	HART
---------------------	------

## Dimensions

Width	96 mm
Height	48 mm
Depth	41.5 mm

## Material specifications

Color	light gray (RAL 7035)
Housing material	Aluminum / polycarbonate

## Environmental and real-life conditions

### Ambient conditions

Degree of protection	IP65 (Front) IP20 (On the rear)
Ambient temperature (operation)	-40 °C ... 60 °C
Ambient temperature (storage/transport)	-40 °C ... 85 °C
Altitude	≤ 5000 m
Climatic class	according to IEC 60654-1, class B2

## Approvals

### CE

Certificate	CE-compliant
-------------	--------------

### UL, USA/Canada

Identification	UL 61010 Listed
----------------	-----------------

### Shipbuilding approval

Certificate	DNV GL TAA000013C
-------------	-------------------

### Shipbuilding data

Temperature	B
Humidity	B
Vibration	A
EMC	B

# FA MCR-DS-I-I-OLP - Digital display



2908781

<https://www.phoenixcontact.com/us/products/2908781>

Enclosure	Required protection according to the Rules shall be provided upon installation on board
-----------	---

## EMC data

### Noise emission

Standards/regulations	IEC 61326, class B
-----------------------	--------------------

## Mounting

Mounting type	Panel mount
Mounting position	Max. viewing angle range +/- 45° from the centre line of the display in every direction

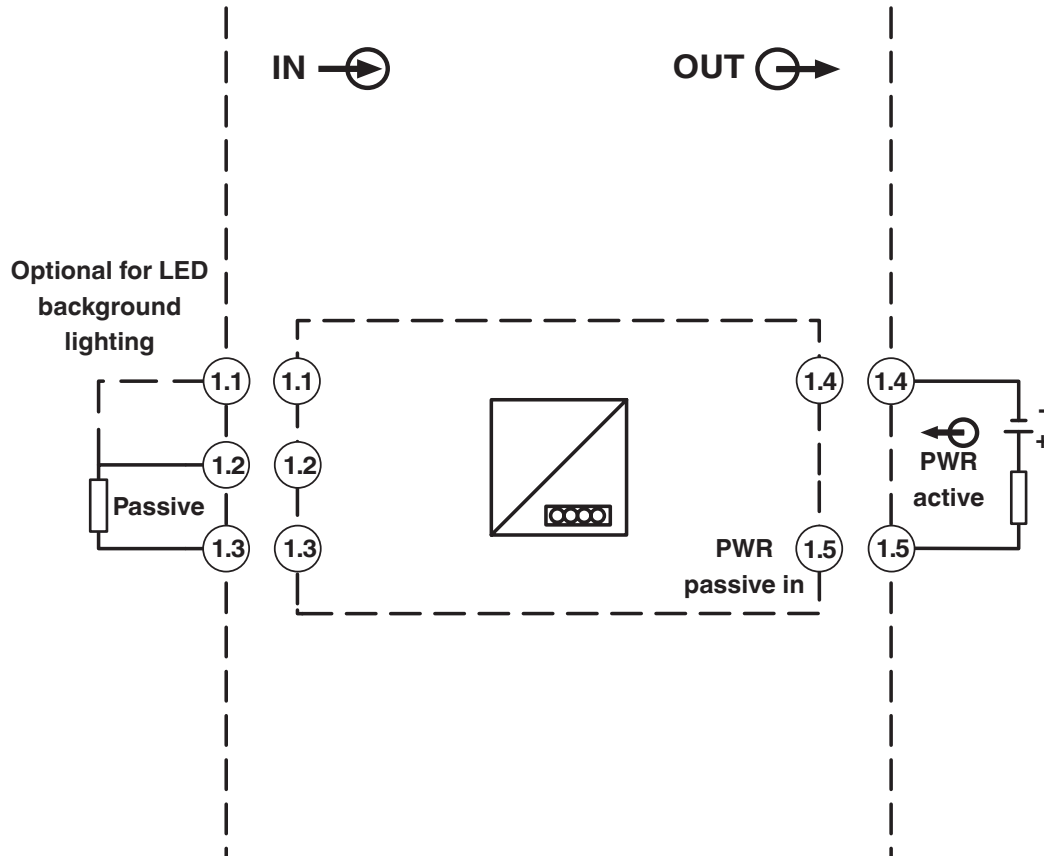
# FA MCR-DS-I-I-OLP - Digital display

2908781

<https://www.phoenixcontact.com/us/products/2908781>

## Drawings

Block diagram



Block diagram FA MCR-DS-I-I-OLP

# FA MCR-DS-I-I-OLP - Digital display



2908781

<https://www.phoenixcontact.com/us/products/2908781>

## Approvals

To download certificates, visit the product detail page: <https://www.phoenixcontact.com/us/products/2908781>



**EAC**

Approval ID: RU\*DE.\*08.B.01522/19



**UL Listed**

Approval ID: E330267



**cUL Listed**

Approval ID: FILE E 330267

**DNV**

Approval ID: TAA000013C

# FA MCR-DS-I-I-OLP - Digital display



2908781

<https://www.phoenixcontact.com/us/products/2908781>

## Classifications

### ECLASS

ECLASS-13.0	27210301
ECLASS-15.0	27210301

### ETIM

ETIM 10.0	EC011349
-----------	----------

### UNSPSC

UNSPSC 21.0	39121000
-------------	----------

2908781

<https://www.phoenixcontact.com/us/products/2908781>

## Environmental product compliance

### EU RoHS

Fulfills EU RoHS substance requirements	Yes
Exemption	7(a), 7(c)-I

### China RoHS

Environment friendly use period (EFUP)	EFUP-50
	An article-related China RoHS declaration table can be found in the download area for the respective article under "Manufacturer declaration". For all articles with EFUP-E, no China RoHS declaration table issued and required.

### EU REACH SVHC

REACH candidate substance (CAS No.)	Lead(CAS: 7439-92-1)
-------------------------------------	----------------------

Phoenix Contact 2026 © - all rights reserved  
<https://www.phoenixcontact.com>

Phoenix Contact USA  
586 Fulling Mill Road  
Middletown, PA 17057, United States  
(+717) 944-1300  
[info@phoenixcon.com](mailto:info@phoenixcon.com)