

EM-2RSC/21AU-R/L-P - Extension module



2908701

<https://www.phoenixcontact.com/us/products/2908701>

Please be informed that the data shown in this PDF document is generated from our online catalog. Please find the complete data in the user documentation. Our general terms of use for downloads are valid.



Relay extension module for ELR-...-P hybrid motor starters, feedback of forward and reverse running when control signal is present, screw connection, DIN rail connector included

Commercial data

Item number	2908701
Packing unit	1 pc
Minimum order quantity	1 pc
Sales key	C472
Product key	DK7485
GTIN	4055626323183
Weight per piece (including packing)	164.22 g
Weight per piece (excluding packing)	182.6 g
Customs tariff number	85364190
Country of origin	DE

EM-2RSC/21AU-R/L-P - Extension module



2908701

<https://www.phoenixcontact.com/us/products/2908701>

Technical data

Product properties

Product type	Extension module
Product family	CONTACTRON

Electrical properties

Insulation characteristics

Rated insulation voltage	250 V
Rated surge voltage	4 kV
Degree of pollution	2

Output data

Contact switching type	1 changeover contact
Rated operating voltage U_e	24 V DC
	230 V AC
Switching capacity in accordance with IEC 60947-5-1	3 A (230 V, AC15)
	2 A (24 V (DC13))

Connection data

Load circuit

Connection method	Screw connection
Stripping length	8 mm
Screw thread	M3
Conductor cross-section rigid	0.2 mm ² ... 2.5 mm ²
Conductor cross-section flexible	0.2 mm ² ... 2.5 mm ²
Conductor cross-section AWG	24 ... 14
Tightening torque	0.5 Nm ... 0.6 Nm
	5 lb _f -in. ... 7 lb _f -in.

INTERFACE system

Connection method	DIN rail bus connector
Number of connections	1
Number of positions	5

Dimensions

Width	22.5 mm
Height	106.6 mm
Depth	113.7 mm

Environmental and real-life conditions

Ambient conditions

Degree of protection	IP20
----------------------	------

EM-2RSC/21AU-R/L-P - Extension module



2908701

<https://www.phoenixcontact.com/us/products/2908701>

Ambient temperature (operation)	-25 °C ... 70 °C
Ambient temperature (storage/transport)	-40 °C ... 80 °C

Approvals

UKCA

Certificate	UKCA-compliant
-------------	----------------

UL approval

Certificate	NLDX.E228652
	NRNT.E172140

UL data

Category code	NLDX / NRNT
Ambient temperature (operation)	-25 °C ... 55 °C

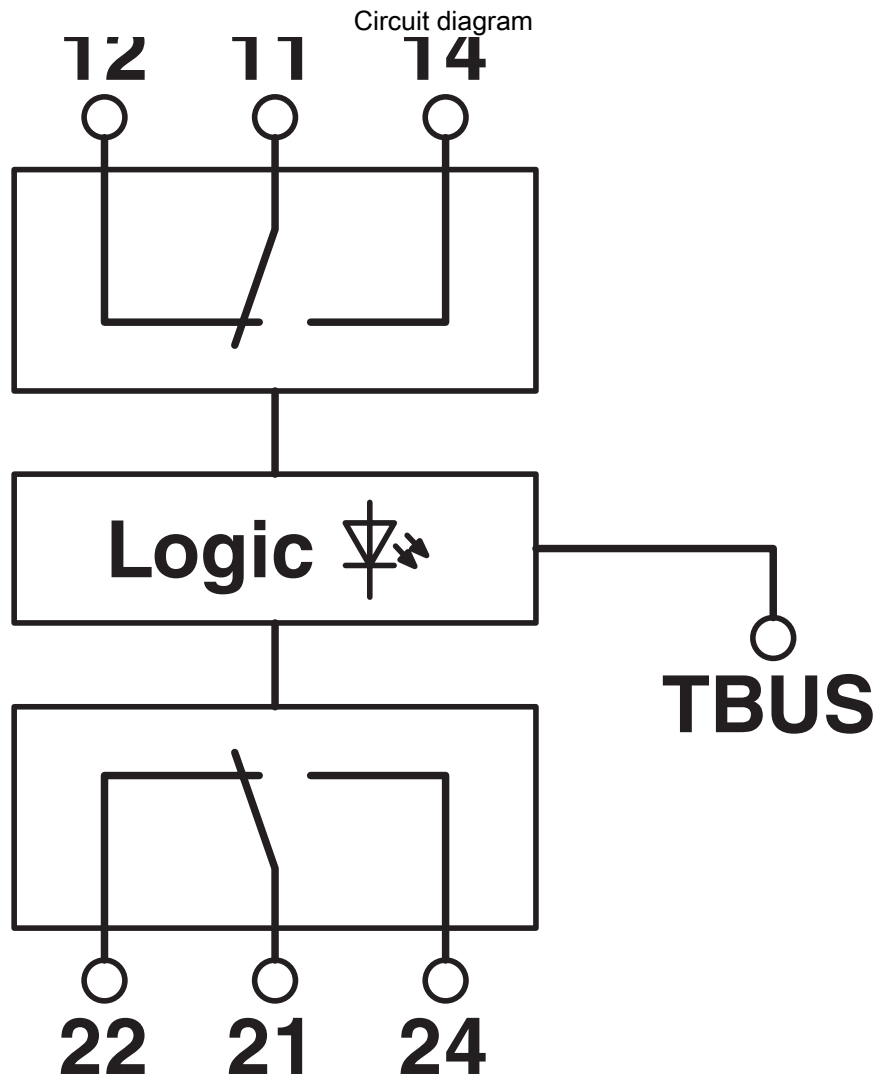
Standards and regulations

Standards/regulations	IEC 60947-5-1
-----------------------	---------------

Mounting

Mounting type	DIN rail mounting
Assembly note	in rows with zero spacing
Mounting position	Vertical (horizontal DIN rail)

Drawings



EM-2RSC/21AU-R/L-P - Extension module



2908701

<https://www.phoenixcontact.com/us/products/2908701>

Classifications

ECLASS

ECLASS-13.0

27371601

ETIM

ETIM 9.0

EC001437

UNSPSC

UNSPSC 21.0

39122300

2908701

<https://www.phoenixcontact.com/us/products/2908701>

Environmental product compliance

EU RoHS

Fulfills EU RoHS substance requirements	Yes
Exemption	7(a), 7(c)-I

China RoHS

Environment friendly use period (EFUP)	EFUP-50
	An article-related China RoHS declaration table can be found in the download area for the respective article under "Manufacturer declaration". For all articles with EFUP-E, no China RoHS declaration table issued and required.

EU REACH SVHC

REACH candidate substance (CAS No.)	Lead(CAS: 7439-92-1)
SCIP	9d4334fb-310f-44a7-9c6c-7a884dcb7077

Phoenix Contact 2026 © - all rights reserved

<https://www.phoenixcontact.com>

Phoenix Contact USA
586 Fulling Mill Road
Middletown, PA 17057, United States
(+717) 944-1300
info@phoenixcon.com