

MACX MCR-EX-TS-I-OLP - Temperature measuring transducer



2908660

<https://www.phoenixcontact.com/us/products/2908660>

Please be informed that the data shown in this PDF document is generated from our online catalog. Please find the complete data in the user documentation. Our general terms of use for downloads are valid.



Ex i-Output loop-powered temperature transducer for transmitting up to 2 sensor signals from RTD and TC sensors, as well as from resistance and voltage sensors via 4 mA ... 20 mA. HART, Ex i signal conditioners with SIL functional safety, Standard configuration, Safety Integrity Level (SIL, IEC 61508): 2, Systematic Capability: 3, Screw connection

Commercial data

Item number	2908660
Packing unit	1 pc
Minimum order quantity	1 pc
Note	Made to order (non-returnable)
Sales key	C430
Product key	DK1243
GTIN	4055626355429
Weight per piece (including packing)	201.8 g
Weight per piece (excluding packing)	208 g
Customs tariff number	85437090
Country of origin	DE

MACX MCR-EX-TS-I-OLP - Temperature measuring transducer



2908660

<https://www.phoenixcontact.com/us/products/2908660>

Technical data

Product properties

Product type	Temperature transmitter
Product family	Field Analog
No. of channels	2
Configuration	Software
	HART

Insulation characteristics

Overvoltage category	II
Pollution degree	2

System properties

Functionality

Configuration	Software
	HART

Electrical properties

Electrical isolation between input and output	yes
Step response (0–99%)	0.8 s (TC)

Electrical isolation Input/output

Test voltage	2 kV AC (50 Hz, 60 s)
--------------	-----------------------

Supply

Supply voltage range	loop-powered, no external supply necessary
	12 V DC ... 42 V DC (Standard)
	12 V DC ... 32 V DC (SIL active)
	12 V DC ... 30 V DC (Ex)

Input data

Signal

Input signal	Temperature
--------------	-------------

Measurement

Number of inputs	2
Input voltage range	-20 mV ... 100 mV (Minimum measuring span: 5 mV)
Sensor types (RTD) that can be used	Pt, Ni, Cu sensors: 2, 3, 4-wire
Sensor types that can be used (TC)	A, B, C, D, E, J, K, L, N, R, S, T, U
Temperature measuring range	-250 °C ... 2500 °C (Range depending on the sensor type)
	-200 °C ... 850 °C (Pt 100)
Temperature measuring range	> 10 K (RTD)

MACX MCR-EX-TS-I-OLP - Temperature measuring transducer




2908660

<https://www.phoenixcontact.com/us/products/2908660>

	> 50 K (TC)
Linear resistance measuring range	10 Ω ... 2000 Ω (Minimum measuring span: 10 Ω)

Output data

Signal: Current

Configurable/programmable	no
Current output signal	4 mA ... 20 mA 20 mA ... 4 mA
Max. current output signal	23 mA
Load	(U _L - 11 V) / 0,023 A
HART coding	FSK ± 0.5 mA
HART version	7
Transmission speed	1200 Baud
Mains frequency filter	50/60 Hz
Communication resistance	≥ 250 Ω
Switch-on delay	≈  s (HART) ≈  s (Measured value)

Connection data

Connection method	Screw connection
Stripping length	7 mm
Screw thread	M3
Conductor cross-section rigid	0.2 mm ² ... 2.5 mm ²
Conductor cross-section flexible	0.2 mm ² ... 2.5 mm ²
Conductor cross-section AWG	24 ... 14
Tightening torque	0.5 Nm ... 0.6 Nm

Test socket

Max. diameter	2 mm
---------------	------

Ex data

Ex installation (EPL)	Gb
	Div. 1
Ex i circuits (EPL)	Ga
	Div. 1

Interfaces

Data communication (bypass)

Protocols supported	HART
---------------------	------

Signaling

Status display	LED (red)
----------------	-----------

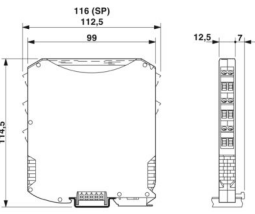
MACX MCR-EX-TS-I-OLP - Temperature measuring transducer



2908660

<https://www.phoenixcontact.com/us/products/2908660>

Dimensions

Dimensional drawing	
Width	12.5 mm
Height	112.5 mm
Depth	113.7 mm
Depth NS 35/7,5	114.5 mm (Snapped onto DIN rail NS 35/7,5 in accordance with EN 60715)

Material specifications

Color	gray (RAL 7042)
-------	-----------------

Environmental and real-life conditions

Ambient conditions

Degree of protection	IP20 (not assessed by UL)
Ambient temperature (operation)	-40 °C ... 85 °C -40 °C ... 70 °C (SIL active)
Ambient temperature (storage/transport)	-40 °C ... 100 °C
Altitude	≤ 4000 m (Above sea level)
Climatic class	B2
Permissible humidity (operation)	5 % ... 95 % (non-condensing)

Approvals

CE

Certificate	CE-compliant
-------------	--------------

ATEX

Identification	⊕ II 2 (1) G Ex ib [ia Ga] IIC T6...T4 Gb
Certificate	EPS 17 ATEX 1 130 X

IECEX

Identification	Ex ib [ia Ga] IIC T6...T4 Gb
Certificate	IECEX EPS 17.0076X

UKCA Ex (UKEX)

Certificate	CML 21UKEX2997X
-------------	-----------------

UL, USA/Canada

MACX MCR-EX-TS-I-OLP - Temperature measuring transducer



2908660

<https://www.phoenixcontact.com/us/products/2908660>

Identification	UL 61010 Recognized
----------------	---------------------

FM

Identification	Exia / Class I / Div. 1, 2 / Group ABCD
	NI, Class I, Div. 2, Groups A, B, C, D

CSA

Identification	AIS / Class I / Div. 1 / ABCD
	NI / Class I / Div. 2 / ABCD T6/T5/T4

Shipbuilding approval

Certificate	DNV GL TAA00002GX
-------------	-------------------

Safety Integrity Level (SIL, IEC 61508)

Identification	2
----------------	---

Systematic Capability

Identification	3
----------------	---

Shipbuilding data

Temperature	D
Humidity	B
Vibration	A
EMC	B
Enclosure	A

Mounting

Mounting type	DIN rail mounting
---------------	-------------------

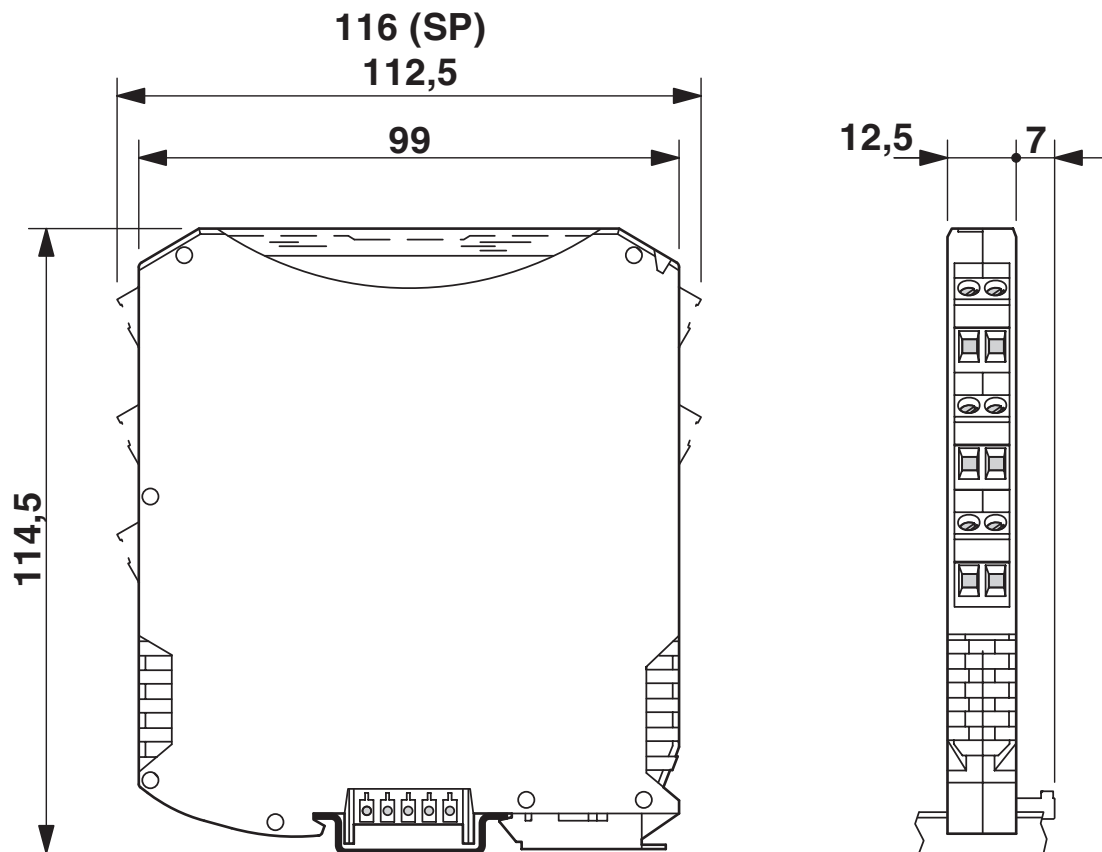
MACX MCR-EX-TS-I-OLP - Temperature measuring transducer

2908660

<https://www.phoenixcontact.com/us/products/2908660>

Drawings

Dimensional drawing



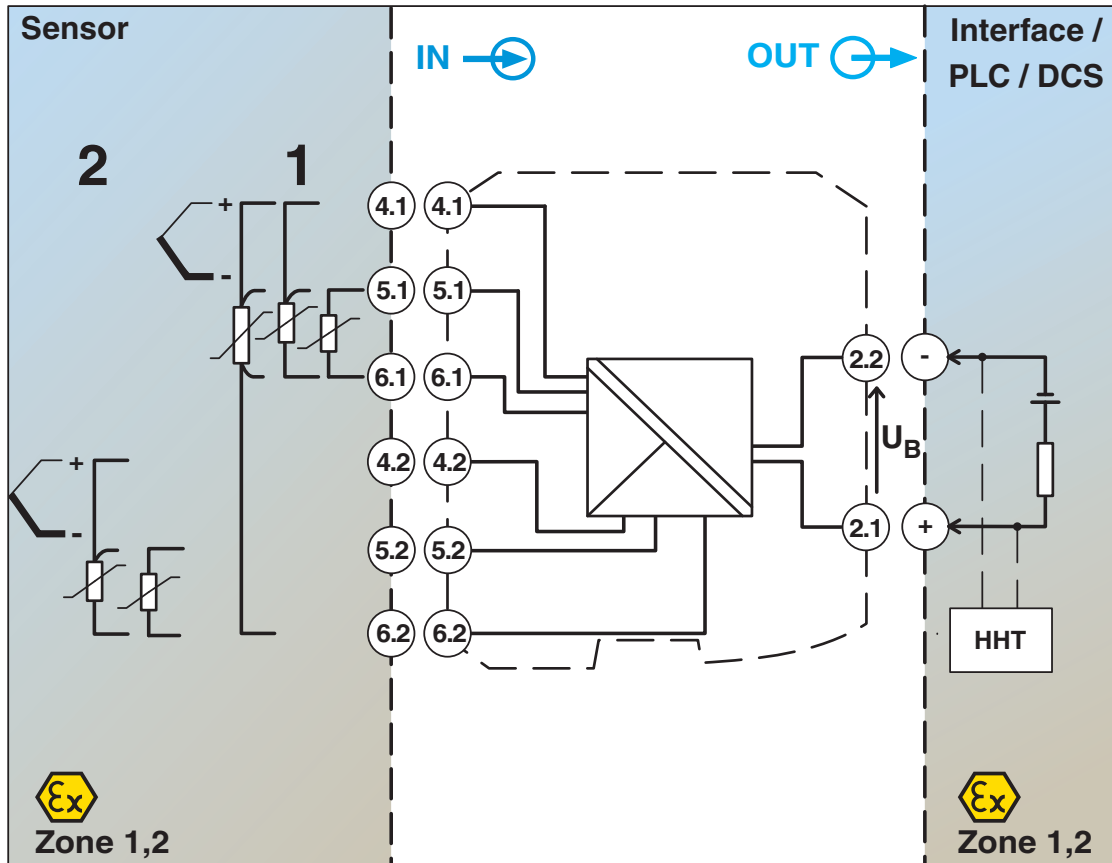
MACX MCR-EX-TS-I-OLP - Temperature measuring transducer



2908660

<https://www.phoenixcontact.com/us/products/2908660>

Block diagram



MACX MCR-EX-TS-I-OLP - Temperature measuring transducer



2908660

<https://www.phoenixcontact.com/us/products/2908660>

Approvals

To download certificates, visit the product detail page: <https://www.phoenixcontact.com/us/products/2908660>



cUL Recognized
Approval ID: FILE E 198586



UL Recognized
Approval ID: FILE E 198586



DNV GL
Approval ID: TAA00002GX



Functional Safety
Approval ID: Z10 029429 0021

DNV

Approval ID: TAA00002GX



IECEx
Approval ID: IECEx EPS 17.0076X



CSA
Approval ID: 70107976



ATEX
Approval ID: EPS 17 ATEX 1 130 X



FM approved
Approval ID: FM17US0110X

MACX MCR-EX-TS-I-OLP - Temperature measuring transducer



2908660

<https://www.phoenixcontact.com/us/products/2908660>

Classifications

ECLASS

ECLASS-13.0	27210129
ECLASS-15.0	27210129

ETIM

ETIM 10.0	EC002919
-----------	----------

UNSPSC

UNSPSC 21.0	41112100
-------------	----------

MACX MCR-EX-TS-I-OLP - Temperature measuring transducer



2908660

<https://www.phoenixcontact.com/us/products/2908660>

Environmental product compliance

EU RoHS

Fulfills EU RoHS substance requirements	Yes
Exemption	7(a), 7(c)-I

China RoHS

Environment friendly use period (EFUP)	EFUP-50
	An article-related China RoHS declaration table can be found in the download area for the respective article under "Manufacturer declaration". For all articles with EFUP-E, no China RoHS declaration table issued and required.

EU REACH SVHC

REACH candidate substance (CAS No.)	Lead(CAS: 7439-92-1)
SCIP	95167ca1-d643-4d51-a887-9ccef22c9eaa

Phoenix Contact 2026 © - all rights reserved
<https://www.phoenixcontact.com>

Phoenix Contact USA
586 Fulling Mill Road
Middletown, PA 17057, United States
(+717) 944-1300
info@phoenixcon.com