

# VAL-MS 750/30-UD-ST - Type 2 surge protection plug



2908541

<https://www.phoenixcontact.com/us/products/2908541>

Please be informed that the data shown in this PDF document is generated from our online catalog. Please find the complete data in the user documentation. Our general terms of use for downloads are valid.



Type 2 surge protection plug with a varistor for VAL-MS base element, thermal monitoring, visual fault warning. Design: 750 V AC

## Commercial data

Item number	2908541
Packing unit	3 pc
Minimum order quantity	1 pc
Product key	CL1321
GTIN	4055626307107
Weight per piece (including packing)	64.57 g
Weight per piece (excluding packing)	214 g
Country of origin	DE

## Technical data

### Notes

#### General

Note	For use in all low-voltage systems between L-PEN. Only for use in IT systems between L-PE if the bodies of the equipment in the low-voltage system are connected to the grounding system of the transformer station. (common grounding of the HV transformer station and the bodies of the LV consumer's installation. $R_E = R_A$ according to IEC 60364-4-442/VDE 0100-442 Figure 44D/example a)
------	---

### Product properties

Product type	Replacement plug
Product family	VALVETRAB MS
IEC test classification	II
	T2
EN type	T2
IEC power supply system	TN
	IT
Type	Male
Distance between live and grounded parts	8 mm
Number of positions	1
Surge protection fault message	optical

#### Insulation characteristics

Overvoltage category	III
Pollution degree	2

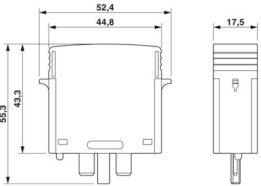
### Electrical properties

Nominal frequency $f_N$	50 Hz (60 Hz)
-------------------------	---------------

### Connection data

Connection method	pluggable
-------------------	-----------

### Dimensions

Dimensional drawing	
Width	17.5 mm
Height	52.4 mm
Depth	55.3 mm

# VAL-MS 750/30-UD-ST - Type 2 surge protection plug



2908541

<https://www.phoenixcontact.com/us/products/2908541>

Horizontal pitch	1 Div.
------------------	--------

## Material specifications

Color	black (RAL 9005)
Flammability rating according to UL 94	V-0
CTI value of material	600
Insulating material	PA 6.6
Material group	I
Housing material	PA 6.6

## Protective circuit

Mode of protection	L-PEN
	L-PE
Direction of action	1L-N/PE
Nominal voltage $U_N$	554/960 V AC (TN)
	690 V AC (IT)
Nominal frequency $f_N$	50 Hz (60 Hz)
Maximum continuous operating voltage $U_C$	760 V AC
Protective conductor current $I_{PE}$	$\leq 0.5$ mA
Standby power consumption $P_C$	$\leq 400$ mVA
Nominal discharge current $I_n$ (8/20) $\mu$ s	15 kA
Maximum discharge current $I_{max}$ (8/20) $\mu$ s	30 kA
Short-circuit current rating $I_{SCCR}$	25 kA
Voltage protection level $U_p$	$\leq 2.9$ kV
Residual voltage $U_{res}$	$\leq 2.9$ kV (at $I_n$ )
	$\leq 2.7$ kV (at 10 kA)
	$\leq 2.5$ kV (at 5 kA)
	$\leq 2.3$ kV (at 3 kA)
TOV behavior at $U_T$	1000 V AC (5 s / withstand mode)
	1056 V AC (120 min / safe failure mode)
Response time $t_A$	$\leq 25$ ns
Max. backup fuse with branch wiring	100 A (gG)

## Environmental and real-life conditions

### Ambient conditions

Degree of protection	IP20
Ambient temperature (operation)	-40 °C ... 80 °C
Ambient temperature (storage/transport)	-40 °C ... 80 °C
Altitude	$\leq 2000$ m (amsl)
Permissible humidity (operation)	5 % ... 95 %
Shock (operation)	25g (Half-sine / 11 ms / 3x $\pm$ X, $\pm$ Y, $\pm$ Z)
Vibration (operation)	5g (10 ... 500 Hz / 2.5 h / X, Y, Z)

## Approvals

# VAL-MS 750/30-UD-ST - Type 2 surge protection plug



2908541

<https://www.phoenixcontact.com/us/products/2908541>

## UL specifications

Maximum continuous operating voltage MCOV (L-N)	750 V AC
Nominal discharge current $I_n$ (L-N)	10 kA
Mode of protection	L-N
Nominal voltage	690 V AC
Power distribution system	Single phase
Nominal frequency	50/60 Hz
Measured limiting voltage MLV (L-N)	2700 V
SPD Type	4CA

## Standards and regulations

Standards/specifications	IEC 61643-11
Note	2011
Standards/specifications	EN 61643-11
Note	2012

## Mounting

Mounting type	on base element
---------------	-----------------

# VAL-MS 750/30-UD-ST - Type 2 surge protection plug

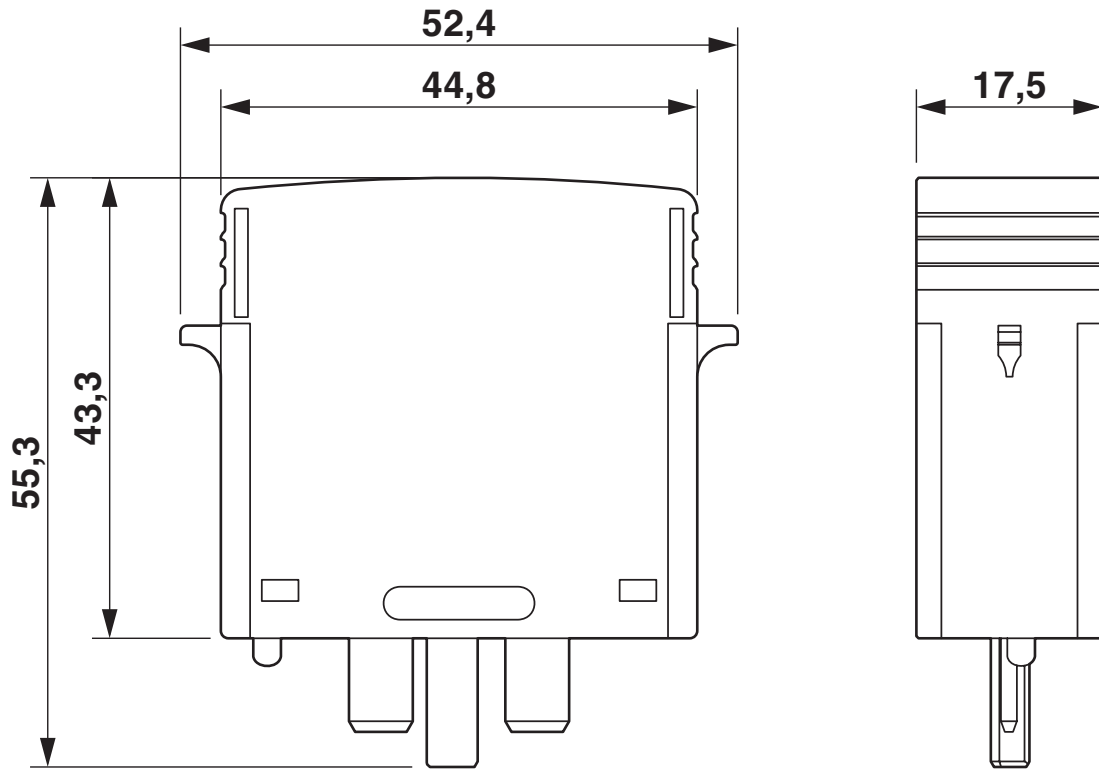


2908541

<https://www.phoenixcontact.com/us/products/2908541>

## Drawings

Dimensional drawing



Circuit diagram



# VAL-MS 750/30-UD-ST - Type 2 surge protection plug



2908541

<https://www.phoenixcontact.com/us/products/2908541>

## Approvals

To download certificates, visit the product detail page: <https://www.phoenixcontact.com/us/products/2908541>



**cUL Recognized**  
Approval ID: FILE E 330181



**UL Recognized**  
Approval ID: FILE E 330181



**CSA**  
Approval ID: 13631

**UAE-RoHS**

Approval ID: 22-09-51251

# VAL-MS 750/30-UD-ST - Type 2 surge protection plug



2908541

<https://www.phoenixcontact.com/us/products/2908541>

## Classifications

### ECLASS

ECLASS-13.0	27171292
ECLASS-15.0	27171292

### ETIM

ETIM 10.0	EC002496
-----------	----------

### UNSPSC

UNSPSC 21.0	39121600
-------------	----------

2908541

<https://www.phoenixcontact.com/us/products/2908541>

## Environmental product compliance

### EU RoHS

Fulfills EU RoHS substance requirements	Yes, No exemptions
---	--------------------

### China RoHS

Environment friendly use period (EFUP)	EFUP-E
	No hazardous substances above the limits

### EU REACH SVHC

REACH candidate substance (CAS No.)	No substance above 0.1 wt%
-------------------------------------	----------------------------

### EF3.1 Climate Change

CO2e kg	2.239 kg CO2e
---------	---------------

Phoenix Contact 2026 © - all rights reserved  
<https://www.phoenixcontact.com>

Phoenix Contact USA  
586 Fulling Mill Road  
Middletown, PA 17057, United States  
(+717) 944-1300  
[info@phoenixcon.com](mailto:info@phoenixcon.com)