

UM-2KS50/32R/SI/J/ADV551/YCS - Active module

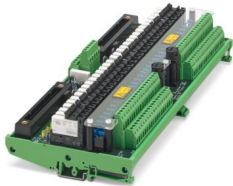


2908400

<https://www.phoenixcontact.com/us/products/2908400>

Please be informed that the data shown in this PDF document is generated from our online catalog. Please find the complete data in the user documentation. Our general terms of use for downloads are valid.

32-channel output relay module with screw connection and redundant, 50-pos. system connection, fuse and jumper in every output circuit, for Yokogawa ADV551 and ADV561



Commercial data

Item number	2908400
Packing unit	1 pc
Minimum order quantity	1 pc
Note	Made to order (non-returnable)
Sales key	C421
Product key	DK219N
GTIN	4055626297712
Weight per piece (including packing)	991.6 g
Weight per piece (excluding packing)	826 g
Customs tariff number	85369010
Country of origin	DE

Technical data

Product properties

Product type	Interface module
Operating mode	100% operating factor
Mechanical service life	2x 10 ⁷ cycles

Insulation characteristics: Air clearances and creepage distances

Overvoltage category	II
Pollution degree	2

Electrical properties

Air clearances and creepage distances

Rated insulation voltage	50 V AC
Rated surge voltage	0.5 kV (Functional insulation)

Supported controller: YOKOGAWA CENTUM VP

Suitable I/O card	ADV551
	ADV561
	NFDV551
	NFDV561

Input data

Nominal input voltage U_N	24 V DC
Input voltage range in reference to U_N	0.8 ... 1.2
Input voltage range	19.2 V DC ... 28.8 V DC
Typical input current at U_N	7 mA
Typical response time	5 ms
Typical release time	6 ms
Protective circuit	Freewheeling diode; Freewheeling diode
Status display/channel	green LED

Output data

Switching

Contact switching type	1 N/O contact
Type of switch contact	Single contact
Contact material	AgSnO
Maximum switching voltage	250 V AC
	63 V DC
Minimum switching voltage	5 V (100 mA)
Limiting continuous current	1.5 A (32 °C)
	1 A (45 °C)
	0.5 A (50 °C)

UM-2KS50/32R/SI/J/ADV551/YCS - Active module



2908400

<https://www.phoenixcontact.com/us/products/2908400>

Max. total current of voltage supply	10 A (50 °C)
Min. switching current	1 mA (24 V)
Interrupting rating (ohmic load) max.	48 W (24 V DC)
	20 W (48 V DC)
	18 W (60 V DC)
	500 VA (250 V AC)

Connection data

Controller level

Connection method	Yokogawa, KS compatible
Number of connections	1
Number of positions	50

Field level

Connection method	Screw connection
Number of connections	32
Number of positions	2
Conductor cross-section rigid	0.2 mm ² ... 4 mm ²
Conductor cross-section flexible	0.2 mm ² ... 2.5 mm ²
Conductor cross-section AWG	24 ... 12

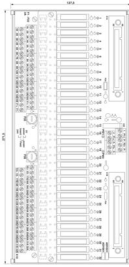
Supply

Connection method	Screw connection
Number of connections	4
Number of positions	2
Conductor cross-section rigid	0.2 mm ² ... 4 mm ²
Conductor cross-section flexible	0.2 mm ² ... 2.5 mm ²
Conductor cross-section AWG	24 ... 12

Signaling

Status display present	yes
------------------------	-----

Dimensions

Dimensional drawing	
Width	271.5 mm
Height	127.5 mm
Depth	60.5 mm

2908400

<https://www.phoenixcontact.com/us/products/2908400>

Material specifications

Color	green (RAL 6021)
-------	------------------

Environmental and real-life conditions

Ambient conditions

Degree of protection	IP00
Degree of protection (Installation location)	≥ IP54 (Installation location)
Ambient temperature (operation)	-20 °C ... 50 °C
Ambient temperature (storage/transport)	-20 °C ... 80 °C
Altitude	≤ 2000 m
Permissible humidity (operation)	10 % ... 95 % (non-condensing)

Standards and regulations

Air clearances and creepage distances

Standards/regulations	EN 60664-1
-----------------------	------------

Mounting

Mounting type	DIN rail mounting
Assembly note	in rows with zero spacing
Mounting position	any

Notes

Notes on operation	For proper use, the specifications of the installation directive (see Downloads) must be observed. For applications or use with third-party products, the specifications, and the safety and warning instructions of the respective third-party manufacturer must also be met.
--------------------	--

Utilization restriction

EMC note	EMC: class A product, see manufacturer's declaration in the download area
----------	---

UM-2KS50/32R/SI/J/ADV551/YCS - Active module

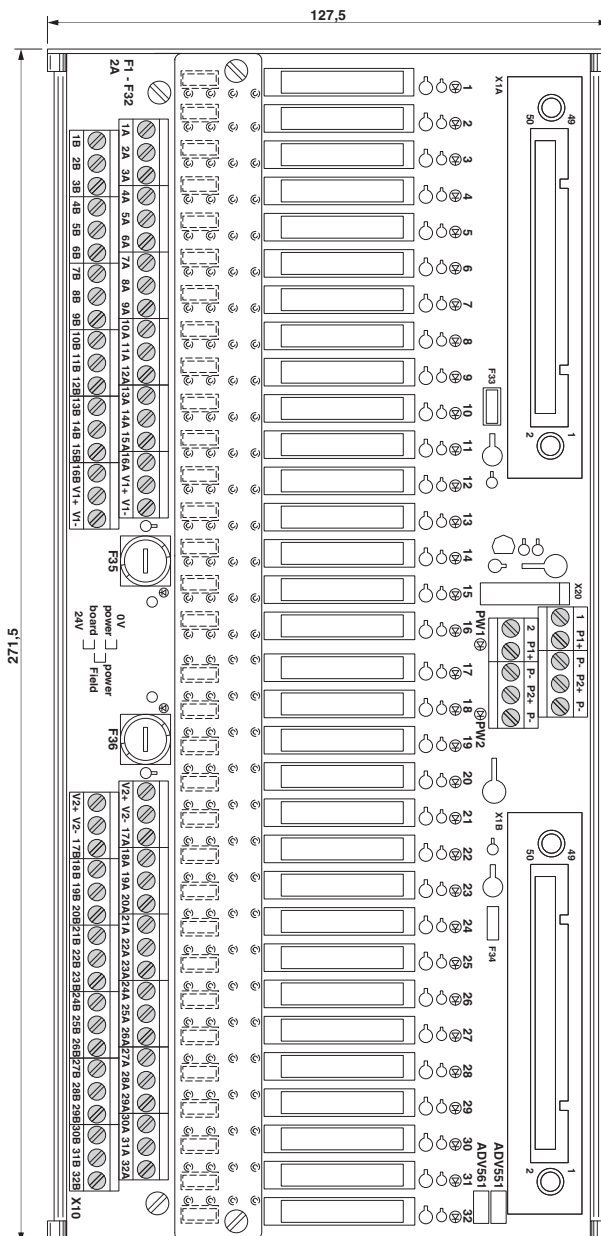


2908400

<https://www.phoenixcontact.com/us/products/2908400>

Drawings

Dimensional drawing



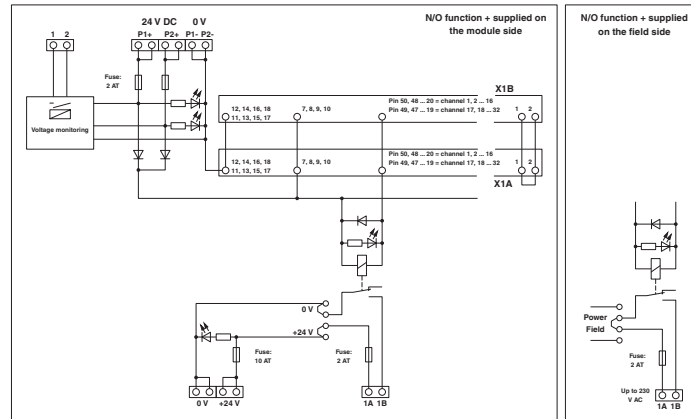
UM-2KS50/32R/SI/J/ADV551/YCS - Active module



2908400

<https://www.phoenixcontact.com/us/products/2908400>

Circuit diagram



UM-2KS50/32R/SI/J/ADV551/YCS - Active module



2908400

<https://www.phoenixcontact.com/us/products/2908400>

Approvals

To download certificates, visit the product detail page: <https://www.phoenixcontact.com/us/products/2908400>



EAC

Approval ID: RU*-DE.*08.B.01829*

UM-2KS50/32R/SI/J/ADV551/YCS - Active module



2908400

<https://www.phoenixcontact.com/us/products/2908400>

Classifications

ECLASS

ECLASS-13.0	27141152
ECLASS-15.0	27141152

ETIM

ETIM 10.0	EC002780
-----------	----------

UNSPSC

UNSPSC 21.0	39121400
-------------	----------

2908400

<https://www.phoenixcontact.com/us/products/2908400>

Environmental product compliance

EU RoHS

Fulfills EU RoHS substance requirements	Yes
Exemption	6(c), 7(a), 7(c)-I

China RoHS

Environment friendly use period (EFUP)	EFUP-50
	An article-related China RoHS declaration table can be found in the download area for the respective article under "Manufacturer declaration". For all articles with EFUP-E, no China RoHS declaration table issued and required.

EU REACH SVHC

REACH candidate substance (CAS No.)	Lead(CAS: 7439-92-1)
SCIP	be2fbfaf-4aed-4fa0-8b07-1605f3cad67a

Phoenix Contact 2026 © - all rights reserved

<https://www.phoenixcontact.com>

Phoenix Contact USA
586 Fulling Mill Road
Middletown, PA 17057, United States
(+717) 944-1300
info@phoenixcon.com