

# UM-2KS50/32R/SI/J/DO24V/YCS - Active module

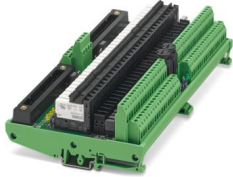


2908399

<https://www.phoenixcontact.com/us/products/2908399>

Please be informed that the data shown in this PDF document is generated from our online catalog. Please find the complete data in the user documentation. Our general terms of use for downloads are valid.

32-channel, 24 V DC output relay module with screw connection and redundant, 50-pos. system connection, fuse and jumper in every output circuit, for Yokogawa ADV551 and ADV561



## Commercial data

Item number	2908399
Packing unit	1 pc
Minimum order quantity	1 pc
Note	Made to order (non-returnable)
Product key	DK219N
GTIN	4055626297705
Weight per piece (including packing)	857 kg
Weight per piece (excluding packing)	830 kg
Country of origin	DE

## Technical data

### Product properties

Product type	Interface module
Operating mode	100% operating factor
Mechanical service life	2x 10 <sup>7</sup> cycles

#### Insulation characteristics: Air clearances and creepage distances, input/output

Overvoltage category	III
Pollution degree	2

#### Insulation characteristics: Air and creepage distances, output/output

Insulation	Basic insulation
Overvoltage category	II
Pollution degree	2

### Electrical properties

#### Air clearances and creepage distances, input/output

Rated insulation voltage	300 V
Rated surge voltage	6 kV (Reinforced insulation)

#### Air and creepage distances, output/output

Rated insulation voltage	300 V
Rated surge voltage	2.5 kV

#### Supported controller: YOKOGAWA CENTUM VP

Suitable I/O card	ADV551
	ADV561
	NFDV551
	NFDV561

### Input data

Nominal input voltage $U_N$	24 V DC
Input voltage range in reference to $U_N$	0.8 ... 1.2
Input voltage range	19.2 V DC ... 28.8 V DC
Typical input current at $U_N$	7 mA
Typical response time	5 ms
Typical release time	6 ms
Protective circuit	Freewheeling diode; Freewheeling diode
Status display/channel	green LED

### Output data

#### Switching

Contact switching type	1 N/O contact
------------------------	---------------

# UM-2KS50/32R/SI/J/DO24V/YCS - Active module



2908399

<https://www.phoenixcontact.com/us/products/2908399>

Type of switch contact	Single contact
Contact material	AgSnO
Maximum switching voltage	24 V DC
Minimum switching voltage	5 V (100 mA)
Limiting continuous current	1.5 A (32 °C)
	1 A (45 °C)
	0.5 A (50 °C)
Max. total current of voltage supply	10 A (50 °C)
Min. switching current	1 mA (24 V)
Interrupting rating (ohmic load) max.	48 W (24 V DC)

## Connection data

### Controller level

Connection method	Yokogawa, KS compatible
Number of connections	2
Number of positions	50

### Field level

Connection method	Screw connection
Number of connections	32
Number of positions	2
Conductor cross-section rigid	0.2 mm <sup>2</sup> ... 4 mm <sup>2</sup>
Conductor cross-section flexible	0.2 mm <sup>2</sup> ... 2.5 mm <sup>2</sup>
Conductor cross-section AWG	24 ... 12

### Supply

Connection method	Screw connection
Number of connections	4
Number of positions	2
Conductor cross-section rigid	0.2 mm <sup>2</sup> ... 4 mm <sup>2</sup>
Conductor cross-section flexible	0.2 mm <sup>2</sup> ... 2.5 mm <sup>2</sup>
Conductor cross-section AWG	24 ... 12

## Signaling

Status display present	yes
------------------------	-----

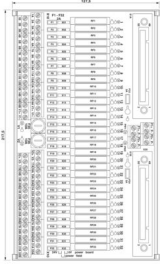
## Dimensions

# UM-2KS50/32R/SI/J/DO24V/YCS - Active module



2908399

<https://www.phoenixcontact.com/us/products/2908399>

Dimensional drawing	
Width	217.5 mm
Height	127.5 mm
Depth	60.5 mm

## Material specifications

Color	green (RAL 6021)
-------	------------------

## Environmental and real-life conditions

### Ambient conditions

Degree of protection	IP00
Degree of protection (Installation location)	≥ IP54 (Installation location)
Ambient temperature (operation)	-20 °C ... 50 °C
Ambient temperature (storage/transport)	-20 °C ... 80 °C
Permissible humidity (operation)	10 % ... 95 % (non-condensing)

## Standards and regulations

### Air clearances and creepage distances, input/output

Standards/regulations	EN IEC 61010-2-201
-----------------------	--------------------

### Air and creepage distances, output/output

Standards/regulations	EN IEC 61010-2-201
-----------------------	--------------------

## Mounting

Mounting type	DIN rail mounting
Assembly note	in rows with zero spacing
Mounting position	any

## Notes

Notes on operation	Do not connect adjacent channels to SELV/PELV and FELV.
Notes on operation	No additional touch protection is required when using a SELV/PELV voltage ( $\leq 25$ V AC or 60 V DC).
Notes on operation	At least one functional insulation against adjacent modules is complied with (in the support rail direction). If the application has stricter requirements for the insulation (basic insulation or reinforced insulation), they must be realized by applying suitable measures (e. g. partition plates).
Notes on operation	Do not use for isolation

# UM-2KS50/32R/SI/J/DO24V/YCS - Active module



2908399

<https://www.phoenixcontact.com/us/products/2908399>

## Notes on operation

For proper use, the specifications of the installation directive (see Downloads) must be observed. For applications or use with third-party products, the specifications, and the safety and warning instructions of the respective third-party manufacturer must also be met.

# UM-2KS50/32R/SI/J/DO24V/YCS - Active module

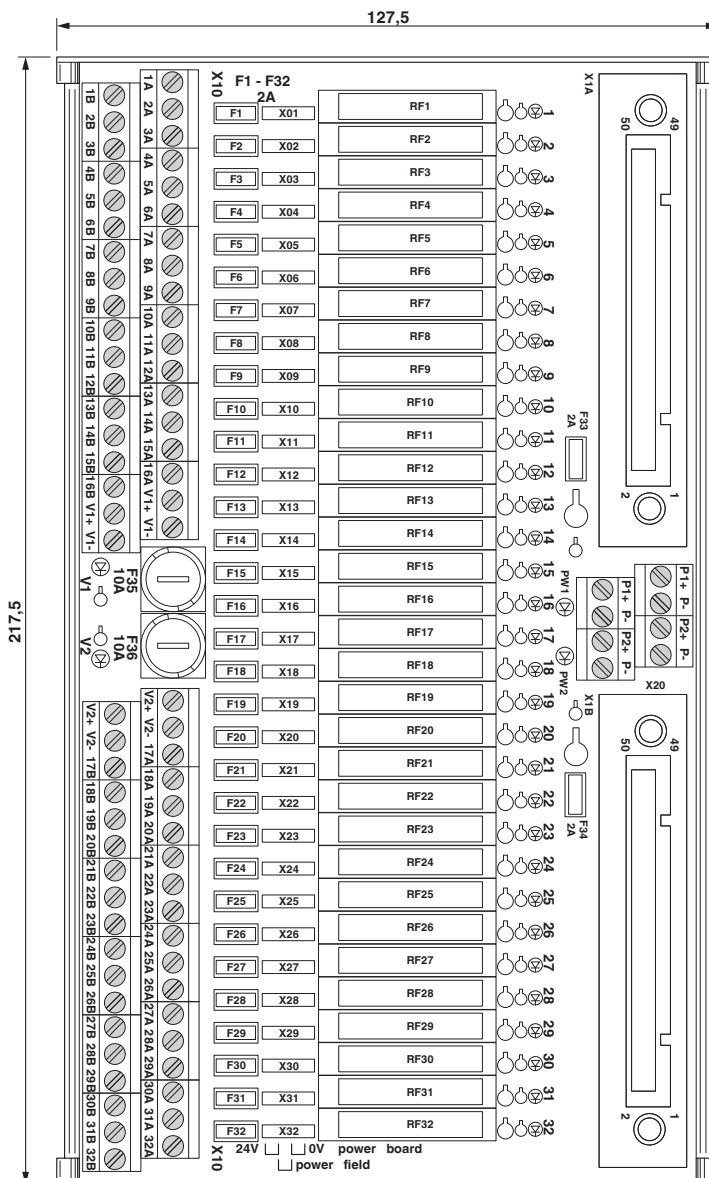


2908399

<https://www.phoenixcontact.com/us/products/2908399>

## Drawings

Dimensional drawing



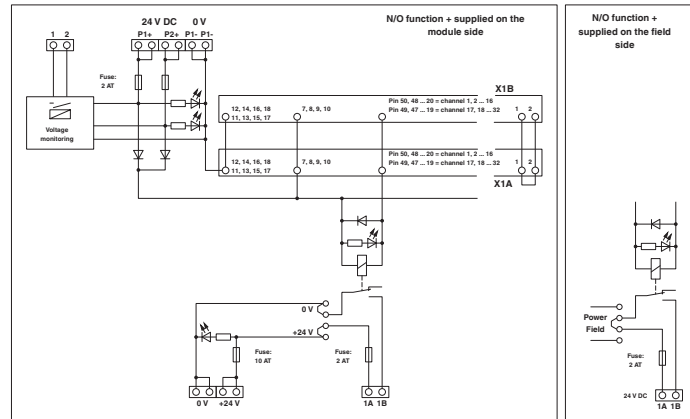
# UM-2KS50/32R/SI/J/DO24V/YCS - Active module



2908399

<https://www.phoenixcontact.com/us/products/2908399>

## Circuit diagram



# UM-2KS50/32R/SI/J/DO24V/YCS - Active module



2908399

<https://www.phoenixcontact.com/us/products/2908399>

## Approvals

To download certificates, visit the product detail page: <https://www.phoenixcontact.com/us/products/2908399>



**EAC**

Approval ID: RU\*-DE.\*08.B.01829\*

# UM-2KS50/32R/SI/J/DO24V/YCS - Active module



2908399

<https://www.phoenixcontact.com/us/products/2908399>

## Classifications

### ECLASS

ECLASS-13.0	27141152
ECLASS-15.0	27141152

### ETIM

ETIM 10.0	EC002780
-----------	----------

### UNSPSC

UNSPSC 21.0	39121400
-------------	----------

2908399

<https://www.phoenixcontact.com/us/products/2908399>

## Environmental product compliance

### EU RoHS

Fulfills EU RoHS substance requirements	Yes
Exemption	7(a), 7(c)-I

### China RoHS

Environment friendly use period (EFUP)	EFUP-50
	An article-related China RoHS declaration table can be found in the download area for the respective article under "Manufacturer declaration". For all articles with EFUP-E, no China RoHS declaration table issued and required.

### EU REACH SVHC

REACH candidate substance (CAS No.)	Lead(CAS: 7439-92-1)
SCIP	e601612c-833c-48eb-a5b7-bd8ed59f182a

Phoenix Contact 2026 © - all rights reserved

<https://www.phoenixcontact.com>

Phoenix Contact USA  
586 Fulling Mill Road  
Middletown, PA 17057, United States  
(+717) 944-1300  
[info@phoenixcon.com](mailto:info@phoenixcon.com)