

UEGM-MSTB GY - Electronics housing



2908320

<https://www.phoenixcontact.com/us/products/2908320>

Please be informed that the data shown in this PDF document is generated from our online catalog. Please find the complete data in the user documentation. Our general terms of use for downloads are valid.

Electronic housing, for PCB insertion, with 12-pos. Combicon pin strip



Commercial data

Item number	2908320
Packing unit	50 pc
Minimum order quantity	50 pc
Note	Made to order (non-returnable)
Product key	ACHCCC
GTIN	4017918347659
Weight per piece (including packing)	47.92 g
Weight per piece (excluding packing)	47.92 g
Country of origin	DE

2908320

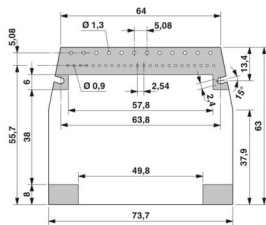
<https://www.phoenixcontact.com/us/products/2908320>

Technical data

Product properties

Product type	Complete housing
Housing type	DIN rail housing
Housing type	Basic housing
Housing series	UEGM
Product family	UEGM-MSTB
Type	Connection system integrated, housing closed
Number of positions	12
Ventilation openings present	no

Dimensions

Dimensional drawing	
Width	25 mm
Height NS 35/7,5	90.5 mm
Depth	79 mm
Length	79 mm

Material specifications

Color (Housing)	gray (RAL 7042)
Material Housing	PA
Flammability rating according to UL 94	V2

Environmental and real-life conditions

Ambient conditions

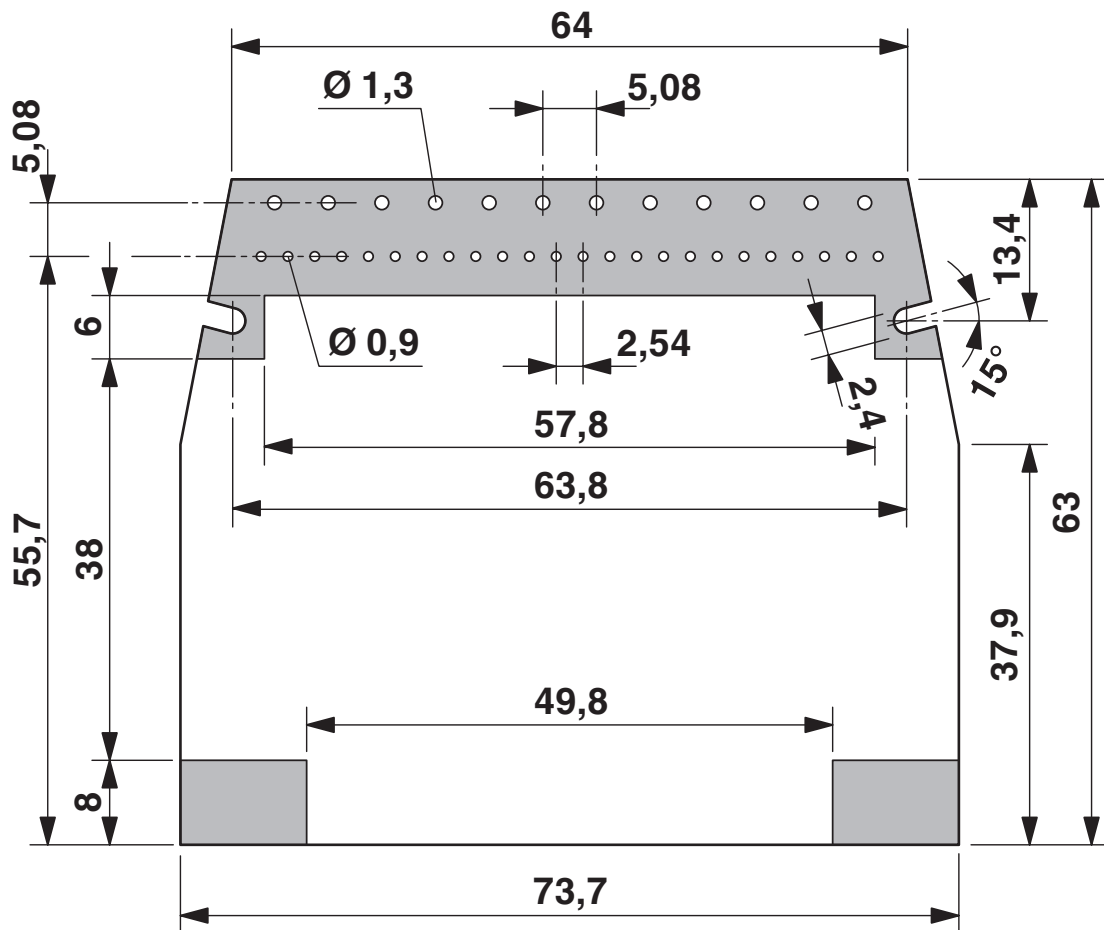
Ambient temperature (operation)	-40 °C ... 105 °C
---------------------------------	-------------------

Mounting

Mounting type	DIN rail mounting
---------------	-------------------

Drawings

Dimensional drawing



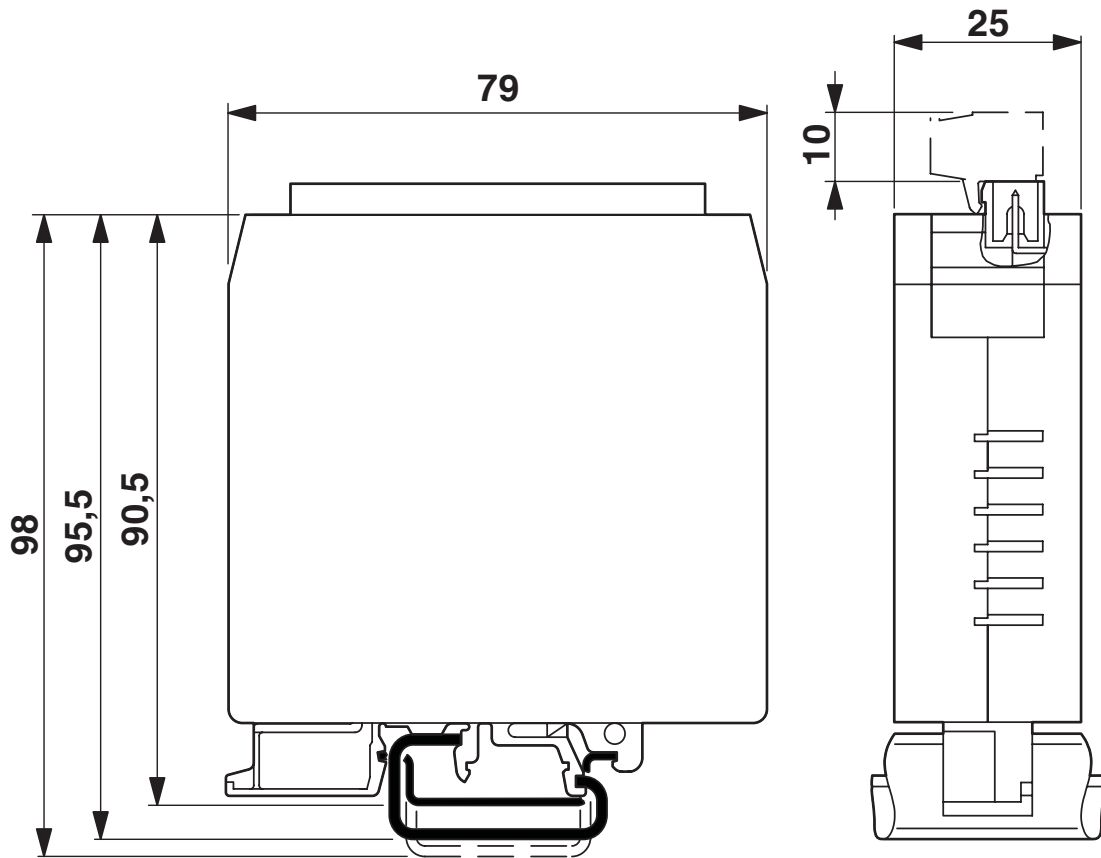
UEGM-MSTB GY - Electronics housing

2908320

<https://www.phoenixcontact.com/us/products/2908320>



Dimensional drawing



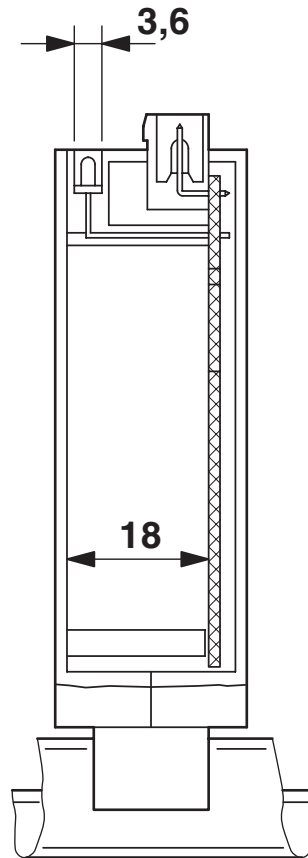
UEGM-MSTB GY - Electronics housing

2908320

<https://www.phoenixcontact.com/us/products/2908320>

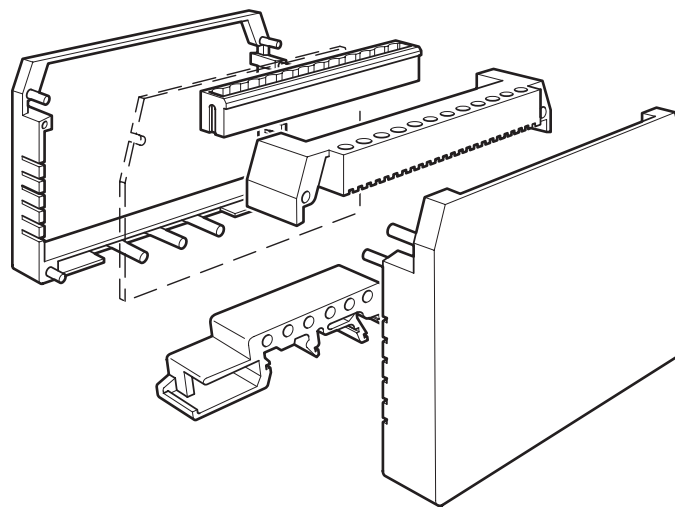


Dimensional drawing



Maximum height of the components on the PCB

Exploded view



UEGM-MSTB GY - Electronics housing



2908320

<https://www.phoenixcontact.com/us/products/2908320>

Approvals

To download certificates, visit the product detail page: <https://www.phoenixcontact.com/us/products/2908320>



UL Recognized

Approval ID: E240868

2908320

<https://www.phoenixcontact.com/us/products/2908320>

Classifications

ECLASS

ECLASS-13.0	27190301
ECLASS-15.0	27190301

ETIM

ETIM 10.0	EC001031
-----------	----------

UNSPSC

UNSPSC 21.0	31261500
-------------	----------

UEGM-MSTB GY - Electronics housing



2908320

<https://www.phoenixcontact.com/us/products/2908320>

Environmental product compliance

EU RoHS

Fulfills EU RoHS substance requirements	Yes, No exemptions
-----------------------------------------	--------------------

China RoHS

Environment friendly use period (EFUP)	EFUP-E
	No hazardous substances above the limits

EU REACH SVHC

REACH candidate substance (CAS No.)	No substance above 0.1 wt%
-------------------------------------	----------------------------

Phoenix Contact 2026 © - all rights reserved
<https://www.phoenixcontact.com>

Phoenix Contact USA
586 Fulling Mill Road
Middletown, PA 17057, United States
(+717) 944-1300
info@phoenixcon.com