

UM 45-SES BK - Lateral element

2908249

<https://www.phoenixcontact.com/us/products/2908249>

Please be informed that the data shown in this PDF document is generated from our online catalog. Please find the complete data in the user documentation. Our general terms of use for downloads are valid.



Side element, with marker groove, labeling with SS-ZB. Width: 11 mm, length: 45 mm, height: 21 mm

The figure shows the standard item in green

Your advantages

- Flexible size and shape
- Fast mounting
- Inexpensive as a result of reducing the number of separate housing parts

Commercial data

Item number	2908249
Packing unit	10 pc
Minimum order quantity	1 pc
Sales key	AC13
Product key	ACHDBA
GTIN	4017918342944
Weight per piece (including packing)	3.51 g
Weight per piece (excluding packing)	3.51 g
Customs tariff number	39269097
Country of origin	PL

UM 45-SES BK - Lateral element

2908249

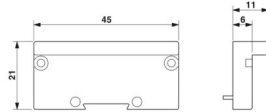
<https://www.phoenixcontact.com/us/products/2908249>

Technical data

Product properties

Product type	Panel mounting base side part
Housing type	Press-drawn section housings
Housing series	UM
Product family	UM45
Ventilation openings present	no

Dimensions

Dimensional drawing	
Width	11 mm
Height	45 mm
Depth	21 mm

Material specifications

Color (Housing)	black (RAL 9005)
Material	PA
Flammability rating according to UL 94	V0
Surface characteristics	untreated

Environmental and real-life conditions

Ambient conditions

Ambient temperature (operation)	-40 °C ... 105 °C (depending on power dissipation)
---------------------------------	--

UM 45-SES BK - Lateral element

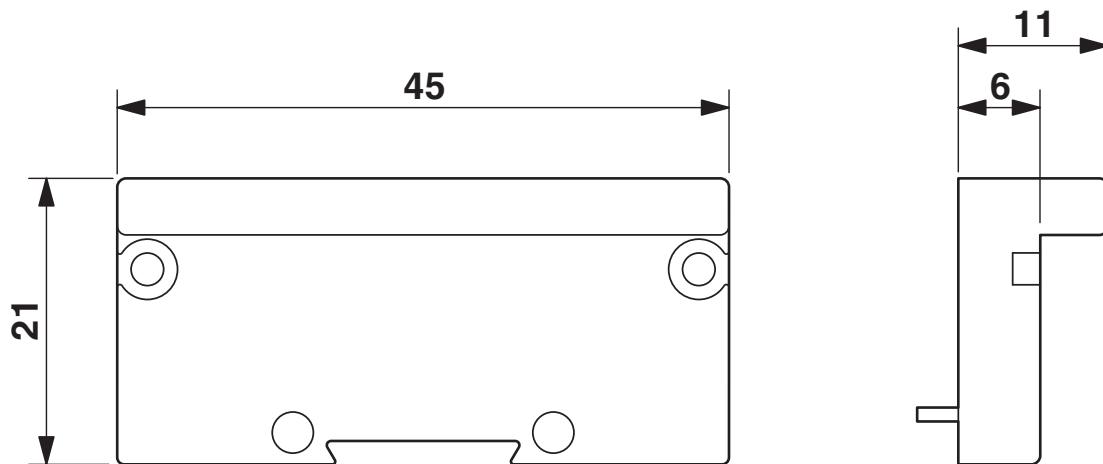
2908249

<https://www.phoenixcontact.com/us/products/2908249>



Drawings

Dimensional drawing



UM 45-SES BK - Lateral element



2908249

<https://www.phoenixcontact.com/us/products/2908249>

Classifications

ECLASS

ECLASS-13.0	27190602
ECLASS-15.0	27190602

ETIM

ETIM 9.0	EC002779
----------	----------

UNSPSC

UNSPSC 21.0	31261500
-------------	----------

UM 45-SES BK - Lateral element



2908249

<https://www.phoenixcontact.com/us/products/2908249>

Environmental product compliance

EU RoHS

Fulfills EU RoHS substance requirements	Yes, No exemptions
---	--------------------

China RoHS

Environment friendly use period (EFUP)	EFUP-E
	No hazardous substances above the limits

EU REACH SVHC

REACH candidate substance (CAS No.)	No substance above 0.1 wt%
-------------------------------------	----------------------------

Phoenix Contact 2026 © - all rights reserved
<https://www.phoenixcontact.com>

Phoenix Contact USA
586 Fulling Mill Road
Middletown, PA 17057, United States
(+717) 944-1300
info@phoenixcon.com