

EG 45-G/ABS BK - Mounting base housing

2908197

<https://www.phoenixcontact.com/us/products/2908197>

Please be informed that the data shown in this PDF document is generated from our online catalog. Please find the complete data in the user documentation. Our general terms of use for downloads are valid.



Lower housing part, with snap-on foot

The figure shows fully mounted versions of the electronic housing, in green

Commercial data

Item number	2908197
Packing unit	10 pc
Minimum order quantity	1 pc
Product key	ACHCGA
GTIN	4017918341640
Weight per piece (including packing)	54.31 g
Weight per piece (excluding packing)	47.658 g
Country of origin	PL

EG 45-G/ABS BK - Mounting base housing

2908197

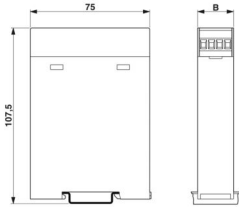
<https://www.phoenixcontact.com/us/products/2908197>

Technical data

Product properties

Product type	Lower housing part
Housing type	Component housing
Product family	EG...G
Type	Lower housing part closed, housing cover necessary to complete the module
Number of positions	16

Dimensions

Dimensional drawing	
Width	45 mm
Depth	75 mm
Length	75 mm

Material specifications

Housing material	Acryl butadiene styrene (ABS)
------------------	-------------------------------

Environmental and real-life conditions

Ambient conditions

Ambient temperature (operation)	-40 °C ... 80 °C
---------------------------------	------------------

EG 45-G/ABS BK - Mounting base housing

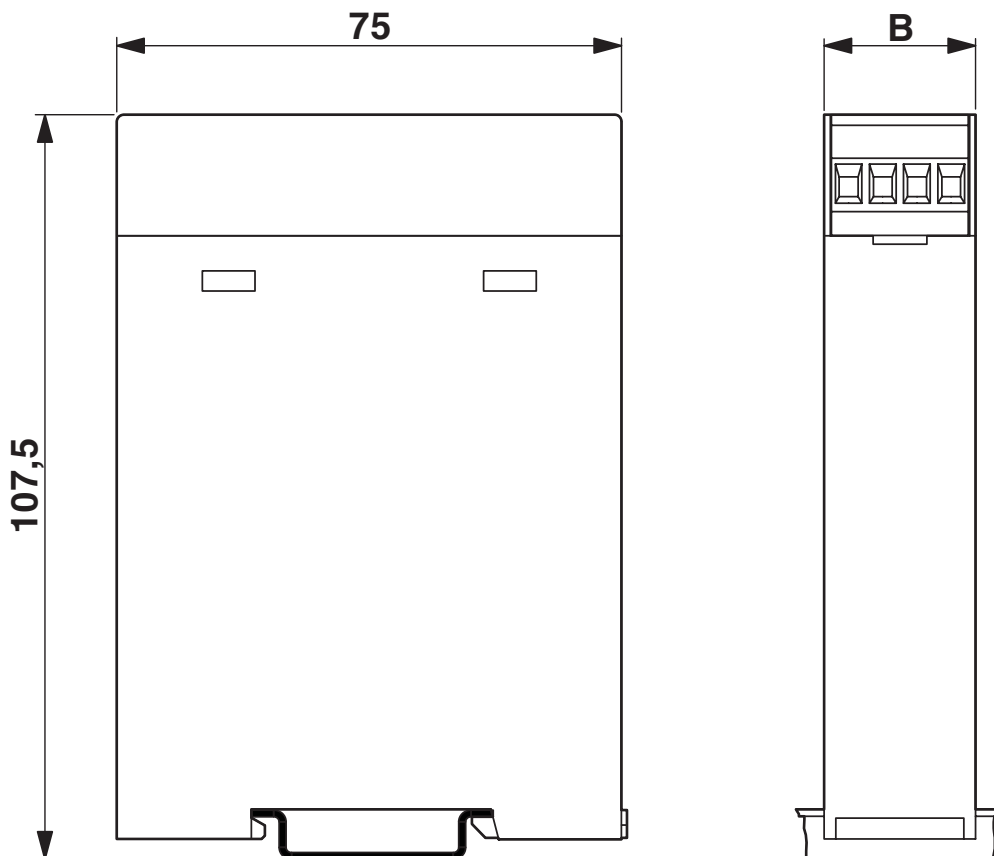
2908197

<https://www.phoenixcontact.com/us/products/2908197>



Drawings

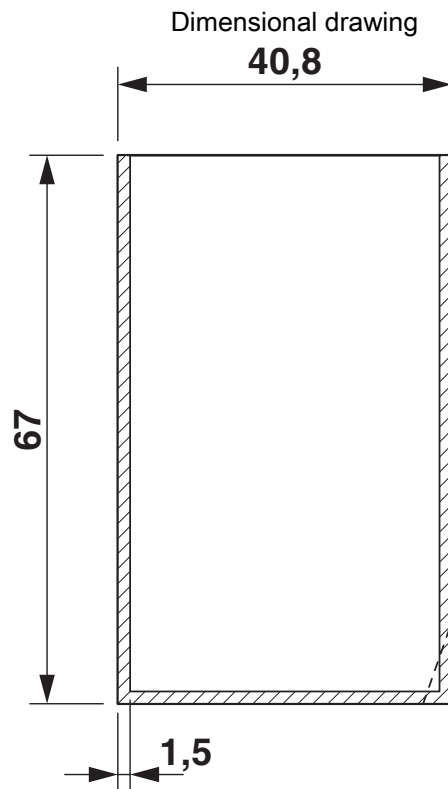
Dimensional drawing



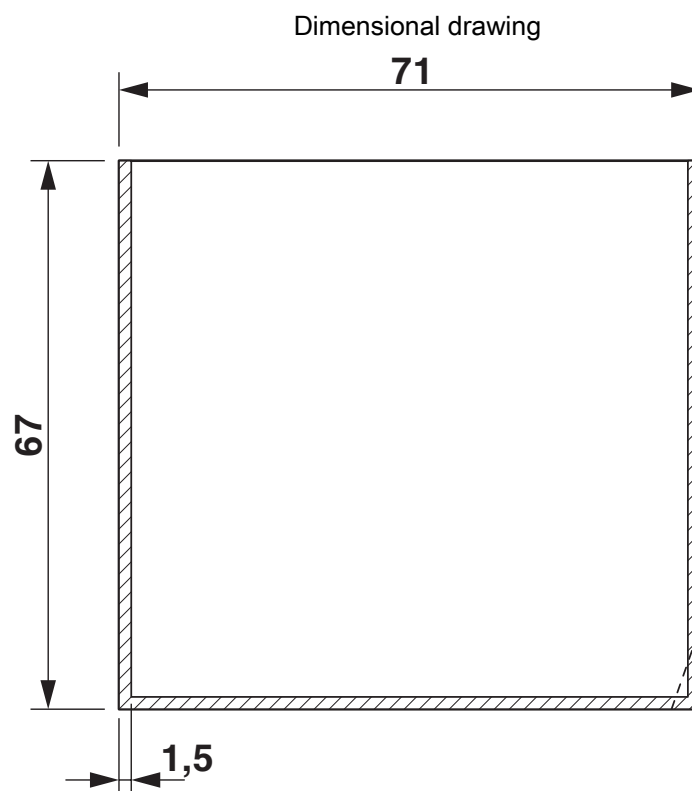
EG 45-G/ABS BK - Mounting base housing

2908197

<https://www.phoenixcontact.com/us/products/2908197>



valid for PCB 1; 3; 5 and 6, see explosion drawing



valid for PCB 7 and 12, see explosion drawing

EG 45-G/ABS BK - Mounting base housing

2908197

<https://www.phoenixcontact.com/us/products/2908197>



valid for PCB 10, see explosion drawing

EG 45-G/ABS BK - Mounting base housing

2908197

<https://www.phoenixcontact.com/us/products/2908197>



valid for PCB 13

EG 45-G/ABS BK - Mounting base housing

2908197

<https://www.phoenixcontact.com/us/products/2908197>



valid for PCB 14

EG 45-G/ABS BK - Mounting base housing



2908197

<https://www.phoenixcontact.com/us/products/2908197>

Classifications

UNSPSC

UNSPSC 21.0	31261501
-------------	----------

EG 45-G/ABS BK - Mounting base housing



2908197

<https://www.phoenixcontact.com/us/products/2908197>

Environmental product compliance

EU RoHS

Fulfills EU RoHS substance requirements	Yes, No exemptions
---	--------------------

China RoHS

Environment friendly use period (EFUP)	EFUP-E
	No hazardous substances above the limits

EU REACH SVHC

REACH candidate substance (CAS No.)	No substance above 0.1 wt%
-------------------------------------	----------------------------

Phoenix Contact 2026 © - all rights reserved
<https://www.phoenixcontact.com>

Phoenix Contact USA
586 Fulling Mill Road
Middletown, PA 17057, United States
(+717) 944-1300
info@phoenixcon.com