

# MACX MCR-EX-IDS-I-I - Output signal conditioner



2908060

<https://www.phoenixcontact.com/us/products/2908060>

Please be informed that the data shown in this PDF document is generated from our online catalog. Please find the complete data in the user documentation. Our general terms of use for downloads are valid.



Ex i output signal conditioner, HART-transparent. Isolates and transmits 0/4 mA ... 20 mA signals with intrinsic safety to a load in the Ex area. 3-way electrical isolation, line fault detection (can be switched off via DIP switch), SIL 2 (SC3) in accordance with IEC 61508, screw connection.

## Commercial data

Item number	2908060
Packing unit	1 pc
Minimum order quantity	1 pc
Sales key	C430
Product key	DK1212
GTIN	4055626274584
Weight per piece (including packing)	170 g
Weight per piece (excluding packing)	160 g
Customs tariff number	85437090
Country of origin	DE

# MACX MCR-EX-IDS-I-I - Output signal conditioner



2908060

<https://www.phoenixcontact.com/us/products/2908060>

## Technical data

### Product properties

Product type	Output signal conditioner
Product family	MACX Analog
No. of channels	1
Configuration	DIP switches

### System properties

#### Functionality

Configuration	DIP switches
---------------	--------------

### Electrical properties

Electrical isolation	3-way isolation
Electrical isolation between input and output	yes
Signal transmission behavior	In = Out
Step response (10-90%)	< 140 $\mu$ s (for 4 mA ... 20 mA step)
Maximum temperature coefficient	0.01 %/K
Temperature coefficient, typical	$\leq$ 0.005 %/K
Maximum transmission error	0.1 % (of final value 20 mA)
Transmission error, typical	$\leq$ 0.05 % (of final value 20 mA)

#### Electrical isolation

Overvoltage category	II
Pollution degree	2

#### Electrical isolation Input/output IEC/EN 61010-1

Standards/regulations	IEC/EN 61010-1
Rated insulation voltage	300 V <sub>rms</sub>
Test voltage	2.5 kV AC (50 Hz, 60 s)
Insulation	Safe isolation

#### Electrical isolation Input/power supply IEC/EN 61010-1

Standards/regulations	IEC/EN 61010-1
Rated insulation voltage	50 V <sub>rms</sub>
Test voltage	1.5 kV AC (50 Hz, 60 s)
Insulation	Basic insulation

#### Electrical isolation Output/supply IEC/EN 61010-1

Standards/regulations	IEC/EN 61010-1
Rated insulation voltage	300 V <sub>rms</sub>
Test voltage	2.5 kV AC (50 Hz, 60 s)
Insulation	Safe isolation

#### Electrical isolation Output/input IEC/EN 60079-11

# MACX MCR-EX-IDS-I-I - Output signal conditioner



2908060

<https://www.phoenixcontact.com/us/products/2908060>

Standards/regulations	IEC/EN 60079-11
Rated insulation voltage	375 V <sub>PP</sub>

## Electrical isolation Output/supply IEC/EN 60079-11

Standards/regulations	IEC/EN 60079-11
Rated insulation voltage	375 V <sub>PP</sub>

## Supply

Nominal supply voltage	24 V DC -20 % ... +25 %
Supply voltage range	19.2 V DC ... 30 V DC
Max. current consumption	< 45 mA (24 V DC / 20 mA)
Power dissipation	< 0.8 W (24 V DC / 20 mA)
Power consumption	≤ 1.1 W (24 V DC / 20 mA)

## Input data

### Signal: Current

Input signal	Current
Current input signal	0 mA ... 20 mA (Function (short-circuit detection off))
	0.2 mA ... 20 mA (Function (short-circuit detection on))
	4 mA ... 20 mA (Safety)
	0 mA ... 24 mA (Underload/overload range)
Input current	≤ 30 mA
Input impedance	> 1 MΩ (If there is a line fault)
Line fault detection	> 0.2 mA (Response threshold of input current)
Voltage drop	< 2.4 V (at 20 mA)

## Output data

### Signal: Current

Output description	intrinsically safe
Number of outputs	1
Current output signal	0 mA ... 20 mA (Function (short-circuit detection off))
	0.2 mA ... 20 mA (Function (short-circuit detection on))
	4 mA ... 20 mA (Safety)
	0 mA ... 24 mA (Underload/overload range)
Load	100 Ω ... 700 Ω (20 mA (short-circuit detection on))
	100 Ω ... 650 Ω (20.5 mA (short-circuit detection on))
	100 Ω ... 500 Ω (24 mA (short-circuit detection on))
	0 Ω ... 700 Ω (20 mA (short-circuit detection off))
	0 Ω ... 650 Ω (20.5 mA (short-circuit detection off))
	0 Ω ... 500 Ω (24 mA (short-circuit detection off))
Output ripple	< 20 mV <sub>rms</sub>
Open-circuit voltage	≤ 27 V
Line fault detection	> 10 kΩ (Line break)
	< 50 Ω (Short circuit)

# MACX MCR-EX-IDS-I-I - Output signal conditioner



2908060

<https://www.phoenixcontact.com/us/products/2908060>

## Connection data

Connection method	Screw connection
Stripping length	7 mm
Screw thread	M3
Conductor cross-section rigid	0.2 mm <sup>2</sup> ... 2.5 mm <sup>2</sup>
Conductor cross-section flexible	0.2 mm <sup>2</sup> ... 2.5 mm <sup>2</sup>
Conductor cross-section AWG	24 ... 14
Tightening torque	0.5 Nm ... 0.6 Nm

## COMBICON connection

Max. diameter	2 mm
---------------	------

## Ex data

Ex installation (EPL)	Gc
	Div. 2
Ex i circuits (EPL)	[Ga]
	[Da]
	[Ma]
	[Div. 1]

## Safety data

Max. internal inductance $L_i$	negligible
Max. internal capacitance $C_i$	negligible
Max. output voltage $U_o$	25.2 V
Max. output current $I_o$	93 mA
Max. output power $P_o$	586 mW
Safety-related maximum voltage $U_m$	253 V AC
	125 V DC
IIA (simple circuit): Max. external inductivity $L_o$ / Max. external capacitance $C_o$	10 mH / 2.9 $\mu$ F
IIB (simple circuit): Max. external inductivity $L_o$ / Max. external capacitance $C_o$	4 mH / 817 nF
IIC (simple circuit): Max. external inductivity $L_o$ / Max. external capacitance $C_o$	2 mH / 104 nF
IIA (mixed circuit): Max. external inductivity $L_o$ / Max. external capacitance $C_o$	10 mH / 587 nF, 1 mH / 627 nF, 500 $\mu$ H / 717 nF, 200 $\mu$ H / 907 nF, 100 $\mu$ H / 1.1 $\mu$ F
IIB (mixed circuit): Max. external inductivity $L_o$ / Max. external capacitance $C_o$	4 mH / 367 nF, 1 mH / 427 nF, 500 $\mu$ H / 507 nF, 200 $\mu$ H / 657 nF, 100 $\mu$ H / 817 nF
IIC (mixed circuit): Max. external inductivity $L_o$ / Max. external capacitance $C_o$	2 mH / 46 nF, 1 mH / 60 nF, 500 $\mu$ H / 77 nF, 200 $\mu$ H / 104 nF

## Interfaces

### Data communication (bypass)

HART function	HART transparency
Protocols supported	HART

# MACX MCR-EX-IDS-I-I - Output signal conditioner



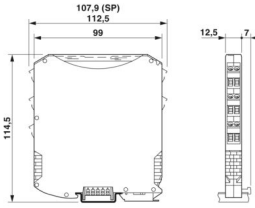
2908060

<https://www.phoenixcontact.com/us/products/2908060>

## Signaling

Status display	Green LED (supply voltage)
----------------	----------------------------

## Dimensions

Dimensional drawing	
Width	12.5 mm
Height	112.5 mm
Depth	113.7 mm
Depth NS 35/7,5	114.5 mm (Snapped onto DIN rail NS 35/7,5 in accordance with EN 60715)

## Material specifications

Color	gray (RAL 7042)
Flammability rating according to UL 94 (Housing)	V0 (Housing)
Housing material	PA 6.6-FR

## Environmental and real-life conditions

### Ambient conditions

Degree of protection	IP20
Ambient temperature (operation)	-40 °C ... 70 °C (Any mounting position)
Ambient temperature (storage/transport)	-40 °C ... 85 °C
Permissible humidity (operation)	5 % ... 95 % (non-condensing)

### Altitude range (≤ 2000 m (Ex))

Description	Ex applications
Altitude	≤ 2000 m (The technical data refers to altitudes ≤2000 m above mean sea level. For altitudes >2000 m above mean sea level, refer to the data sheet.)
Ambient temperature (operation)	-40 °C ... 70 °C
Safety-related maximum voltage $U_m$	253 V AC 125 V DC
Rated insulation voltage	320 V (Power supply, input / output)

### Altitude range (≤ 3000 m (Ex))

Description	Ex applications
Height range	> 2000 m ... 3000 m
Ambient temperature (operation)	-40 °C ... 60 °C
Safety-related maximum voltage $U_m$	190 V AC 110 V DC

# MACX MCR-EX-IDS-I-I - Output signal conditioner



2908060

<https://www.phoenixcontact.com/us/products/2908060>

Rated insulation voltage	190 V (Power supply, input / output)
--------------------------	--------------------------------------

## Altitude range ( $\leq 4000$ m (Ex))

Description	Ex applications
Height range	> 3000 m ... 4000 m
Ambient temperature (operation)	-40 °C ... 55 °C
Safety-related maximum voltage $U_m$	60 V AC
	60 V DC
Rated insulation voltage	63 V (Power supply, input / output)

## Altitude range ( $\leq 5000$ m (Ex))

Description	Ex applications
Height range	> 4000 m ... 5000 m
Ambient temperature (operation)	-40 °C ... 45 °C
Safety-related maximum voltage $U_m$	60 V AC
	60 V DC
Rated insulation voltage	63 V (Power supply, input / output)

## Altitude range ( $\leq 2000$ m)

Description	Non-Ex applications (EN 61010-1)
Altitude	$\leq 2000$ m (The technical data refers to altitudes $\leq 2000$ m above mean sea level. For altitudes >2000 m above mean sea level, refer to the data sheet.)
Ambient temperature (operation)	-40 °C ... 70 °C
Rated insulation voltage	300 V (Power supply, input / output)

## Altitude range ( $\leq 3000$ m)

Description	Non-Ex applications (EN 61010-1)
Height range	> 2000 m ... 3000 m
Ambient temperature (operation)	-40 °C ... 60 °C
Rated insulation voltage	150 V (Power supply, input / output)

## Altitude range ( $\leq 4000$ m)

Description	Non-Ex applications (EN 61010-1)
Height range	> 3000 m ... 4000 m
Ambient temperature (operation)	-40 °C ... 55 °C
Rated insulation voltage	150 V (Power supply, input / output)

## Altitude range ( $\leq 5000$ m)

Description	Non-Ex applications (EN 61010-1)
Height range	> 4000 m ... 5000 m
Ambient temperature (operation)	-40 °C ... 45 °C
Rated insulation voltage	150 V (Power supply, input / output)

## Approvals

CE

Certificate	CE-compliant
-------------	--------------

# MACX MCR-EX-IDS-I-I - Output signal conditioner



2908060

<https://www.phoenixcontact.com/us/products/2908060>

Note	and EN 61326
------	--------------

## ATEX

Identification	Ⓢ I (M1) [Ex ia Ma] I
	Ⓢ II (1) G [Ex ia Ga] IIC
	Ⓢ II (1) D [Ex ia Da] IIIC
	Ⓢ II 3(1) G Ex ec [ia Ga] IIC T4 Gc
Certificate	BVS 20 ATEX E 004 X

## IECEX

Identification	[Ex ia Ma] I
	[Ex ia Ga] IIC
	[Ex ia Da] IIIC
	Ex ec [ia Ga] IIC T4 Gc
Certificate	IECEX BVS 20.0003X

## CCC / China-Ex

Identification	[Ex ia Ga] IIC
	[Ex ia Da] IIIC
	Ex ec [ia Ga] IIC T4 Gc
Certificate	2021122316114080

## UL, USA/Canada

Identification	UL 61010 Listed
	Class I Div 2; IS for Class I, II, III Div 1
Certificate	Ⓢ C.D.-No 83104549

## Shipbuilding approval

Certificate	DNV GL TAA00000AG
-------------	-------------------

## Safety Integrity Level (SIL, IEC 61508)

Identification	2
----------------	---

## Systematic Capability

Identification	3
----------------	---

## INMETRO

Identification	[Ex ia Ma] I
	[Ex ia Ga] IIC
	[Ex ia Da] IIIC
	Ex ec [ia Ga] IIC T4 Gc
Certificate	DNV 21.0092 X

## Shipbuilding data

Temperature	B
Humidity	B
Vibration	A
EMC	B

# MACX MCR-EX-IDS-I-I - Output signal conditioner



2908060

<https://www.phoenixcontact.com/us/products/2908060>

Enclosure	Required protection according to the Rules shall be provided upon installation on board
-----------	---

## EMC data

Electromagnetic compatibility	Conformance with EMC directive
Noise immunity	EN 61000-6-2
Note	When being exposed to interference, there may be minimal deviations.

## Noise emission

Standards/regulations	EN 61000-6-4
-----------------------	--------------

## Standards and regulations

Electrical isolation	3-way isolation
----------------------	-----------------

## GB Standard

Standards/regulations	GB/T 3836.1
	GB/T 3836.3
	GB/T 3836.4

## Mounting

Mounting type	DIN rail mounting
---------------	-------------------

# MACX MCR-EX-IDS-I-I - Output signal conditioner

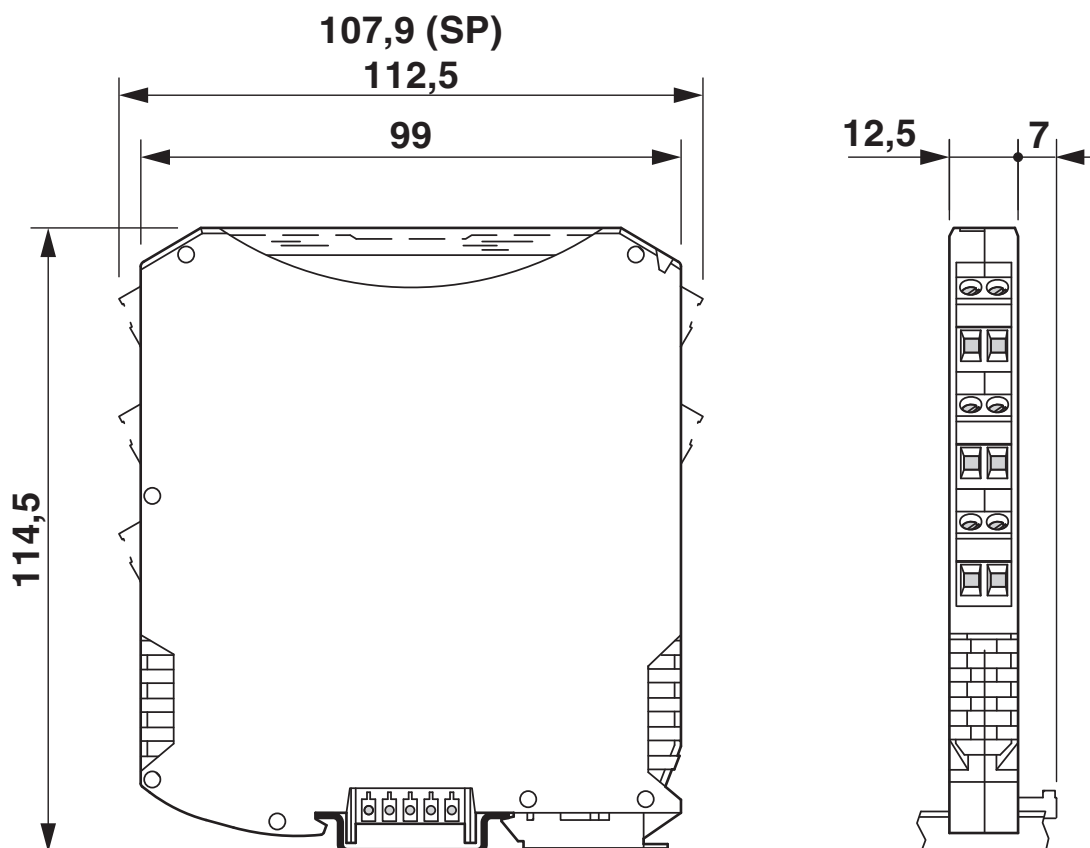
2908060

<https://www.phoenixcontact.com/us/products/2908060>



## Drawings

Dimensional drawing



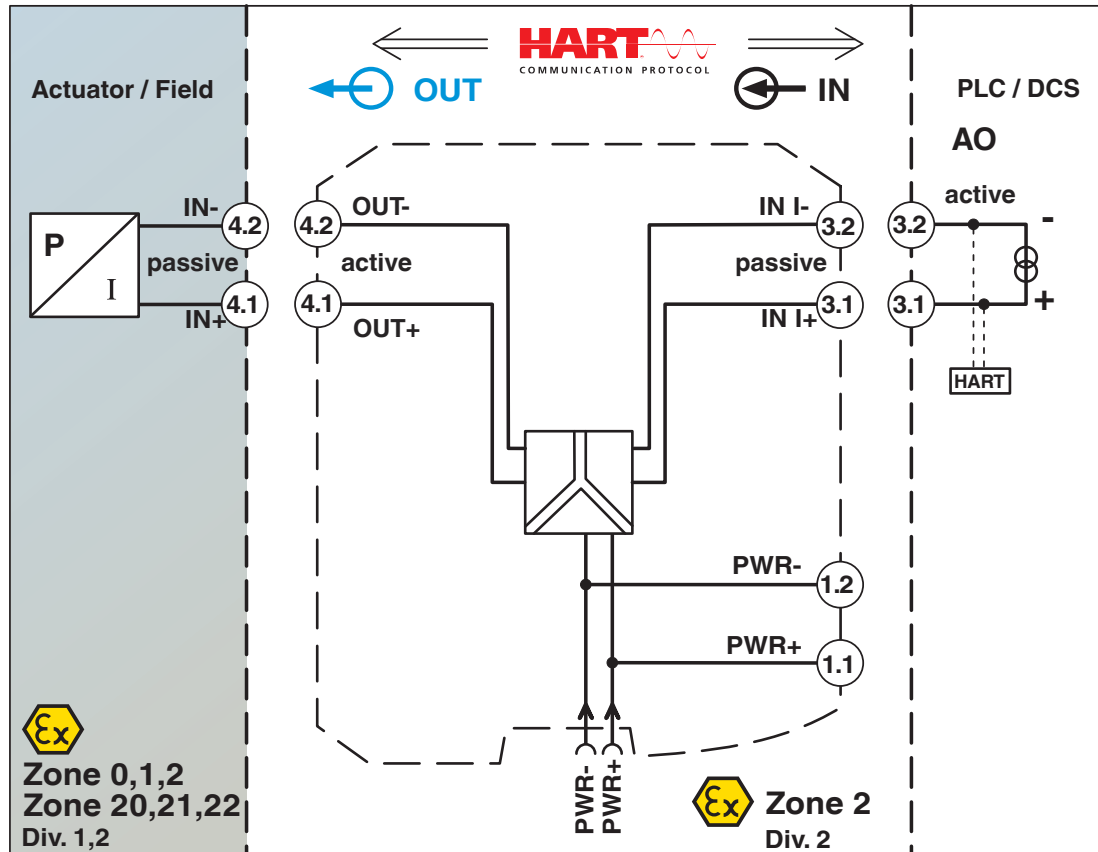
# MACX MCR-EX-IDS-I-I - Output signal conditioner



2908060

<https://www.phoenixcontact.com/us/products/2908060>

Block diagram



# MACX MCR-EX-IDS-I-I - Output signal conditioner



2908060

<https://www.phoenixcontact.com/us/products/2908060>

## Approvals

To download certificates, visit the product detail page: <https://www.phoenixcontact.com/us/products/2908060>



**DNV GL**

Approval ID: TAA00000AG



**UL Listed**

Approval ID: E330267



**cUL Listed**

Approval ID: FILE E 330267

**Functional Safety**

Approval ID: ZP/C002/20

**DNV**

Approval ID: TAA00000AG

**ECAS**

Approval ID: 163684 E25 08 169501



**IECEx**

Approval ID: IECEx BVS 20.0003X



**cUL Listed**

Approval ID: FILE E 199827



**UL Listed**

Approval ID: E199827



**ATEX**

Approval ID: BVS 20 ATEX E 004 X

**INMETRO**

Approval ID: DNV 21.0092 X

# MACX MCR-EX-IDS-I-I - Output signal conditioner



2908060

<https://www.phoenixcontact.com/us/products/2908060>



**EAC Ex**

Approval ID: RU C-DE.HB49.B.00145



**CCC**

Approval ID: 2021122316114080

# MACX MCR-EX-IDS-I-I - Output signal conditioner



2908060

<https://www.phoenixcontact.com/us/products/2908060>

## Classifications

### ECLASS

ECLASS-13.0	27210120
ECLASS-15.0	27210120

### ETIM

ETIM 10.0	EC002653
-----------	----------

### UNSPSC

UNSPSC 21.0	39121000
-------------	----------

2908060

<https://www.phoenixcontact.com/us/products/2908060>

## Environmental product compliance

### EU RoHS

Fulfills EU RoHS substance requirements	Yes
Exemption	6(c), 7(a), 7(c)-I

### China RoHS

Environment friendly use period (EFUP)	EFUP-50
	An article-related China RoHS declaration table can be found in the download area for the respective article under "Manufacturer declaration". For all articles with EFUP-E, no China RoHS declaration table issued and required.

### EU REACH SVHC

REACH candidate substance (CAS No.)	Lead(CAS: 7439-92-1)
	2,2',6,6'-tetrabromo-4,4'-isopropylidenediphenol(CAS: 79-94-7)
SCIP	66ca8a68-c972-4fc8-a188-3fb6b1b243a1

### EF3.1 Climate Change

CO2e kg	6.723 kg CO2e
---------	---------------

Phoenix Contact 2026 © - all rights reserved  
<https://www.phoenixcontact.com>

Phoenix Contact USA  
 586 Fulling Mill Road  
 Middletown, PA 17057, United States  
 (+717) 944-1300  
[info@phoenixcon.com](mailto:info@phoenixcon.com)