

# TMC 8 B TERM PIN - Terminal adapter



2907998

<https://www.phoenixcontact.com/us/products/2907998>

Please be informed that the data shown in this PDF document is generated from our online catalog. Please find the complete data in the user documentation. Our general terms of use for downloads are valid.

Feeder terminal adapter for TMC 8..... circuit breaker bus bars. Rated for 1000 V AC/DC, 115 A. Wire range 14...2 AWG. UL Listed for connection to UL 489 rated circuit breakers.



## Product description

Feed-in terminal adapter for TMC 8 bus bars

## Commercial data

Item number	2907998
Packing unit	10 pc
Minimum order quantity	1 pc
Sales key	CL08
Product key	CLA125
GTIN	4055626352985
Weight per piece (including packing)	37.75 g
Weight per piece (excluding packing)	38 g
Customs tariff number	85362010
Country of origin	DE

# TMC 8 B TERM PIN - Terminal adapter



2907998

<https://www.phoenixcontact.com/us/products/2907998>

## Technical data

### Product properties

Product type	Circuit breakers
Type	Adapter

### Electrical properties

Rated voltage (III/3)	1000 V AC/DC
-----------------------	--------------

### Dimensions

Dimensional drawing	
Width	16.2 mm
Height	31.1 mm
Depth	85 mm

### Material specifications

Color	light gray (RAL 7035)
-------	-----------------------

# TMC 8 B TERM PIN - Terminal adapter

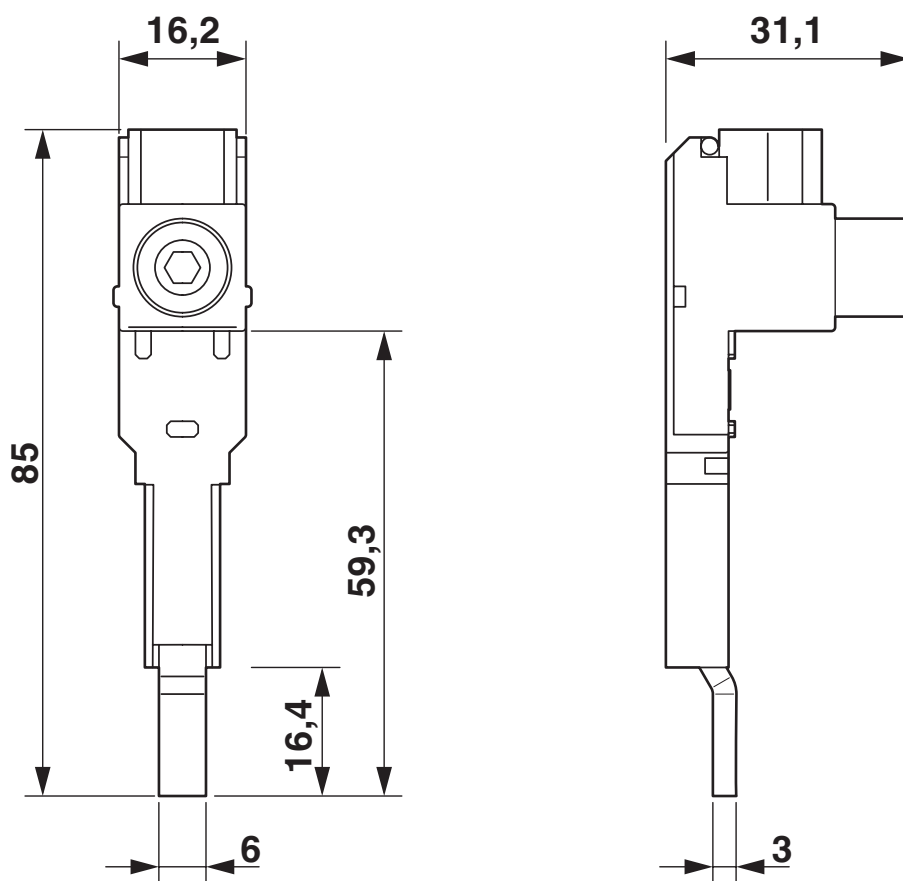
2907998

<https://www.phoenixcontact.com/us/products/2907998>



## Drawings

Dimensional drawing



# TMC 8 B TERM PIN - Terminal adapter



2907998

<https://www.phoenixcontact.com/us/products/2907998>

## Approvals

To download certificates, visit the product detail page: <https://www.phoenixcontact.com/us/products/2907998>



**UL Listed**

Approval ID: E123528



**cUL Listed**

Approval ID: E123528

# TMC 8 B TERM PIN - Terminal adapter



2907998

<https://www.phoenixcontact.com/us/products/2907998>

## Classifications

### ECLASS

ECLASS-13.0	27140492
ECLASS-15.0	27140492

### ETIM

ETIM 10.0	EC002936
-----------	----------

# TMC 8 B TERM PIN - Terminal adapter



2907998

<https://www.phoenixcontact.com/us/products/2907998>

## Environmental product compliance

### EU RoHS

Fulfills EU RoHS substance requirements	Yes, No exemptions
---	--------------------

### China RoHS

Environment friendly use period (EFUP)	EFUP-E
	No hazardous substances above the limits

### EU REACH SVHC

REACH candidate substance (CAS No.)	No substance above 0.1 wt%
-------------------------------------	----------------------------

### EF3.1 Climate Change

CO2e kg	0.626 kg CO2e
---------	---------------

Phoenix Contact 2026 © - all rights reserved  
<https://www.phoenixcontact.com>

Phoenix Contact USA  
586 Fulling Mill Road  
Middletown, PA 17057, United States  
(+717) 944-1300  
[info@phoenixcon.com](mailto:info@phoenixcon.com)