

# PLT-SEC-T3-BE-FM-UT - Type 3 surge protection base element

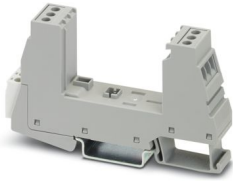


2907924

<https://www.phoenixcontact.com/us/products/2907924>

Please be informed that the data shown in this PDF document is generated from our online catalog. Please find the complete data in the user documentation. Our general terms of use for downloads are valid.

Base element for protective plugs from the PLT-SEC-...-UT/PT product series with remote indication contact.



## Commercial data

Item number	2907924
Packing unit	10 pc
Minimum order quantity	1 pc
Sales key	CL19
Product key	CL14A2
GTIN	4055626257709
Weight per piece (including packing)	52.15 g
Weight per piece (excluding packing)	48 g
Customs tariff number	85363030
Country of origin	DE

# PLT-SEC-T3-BE-FM-UT - Type 3 surge protection base element

2907924

<https://www.phoenixcontact.com/us/products/2907924>

## Technical data

### Product properties

Product type	Base element
Product family	SEC Family
IEC power supply system	TN-S TT
Type	DIN rail module, two-section, divisible
Number of positions	2
Surge protection fault message	Remote indication contact

### Insulation characteristics

Overvoltage category	III
Pollution degree	2
IEC test classification	II / III T2 / T3
EN type	T2 / T3
Number of ports	One

### Electrical properties

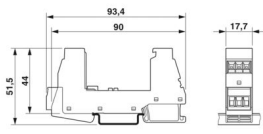
#### Indicator/remote signaling

Connection name	Remote fault indicator contact
Switching function	Changeover contact
Operating voltage	250 V AC 125 V DC (200 mA DC)
Operating current	0.5 A AC 0.5 A DC (75 V DC)

### Connection data

Connection method	Screw connection
Screw thread	M3
Tightening torque	0.5 Nm
Conductor cross-section flexible	0.2 mm <sup>2</sup> ... 2.5 mm <sup>2</sup>
Conductor cross-section rigid	0.2 mm <sup>2</sup> ... 4 mm <sup>2</sup>
Conductor cross-section AWG	24 ... 12

### Dimensions

Dimensional drawing	
---------------------	--

# PLT-SEC-T3-BE-FM-UT - Type 3 surge protection base element



2907924

<https://www.phoenixcontact.com/us/products/2907924>

Width	17.7 mm
Height	93.4 mm
Depth	51.5 mm (incl. DIN rail 7.5 mm)
Horizontal pitch	1 Div.

## Material specifications

Color (Male connector)	light gray (RAL 7035)
Color (Base element)	gray (RAL 7042)
Flammability rating according to UL 94	V-0
CTI value of material	600
Insulating material	PA 6.6-FR 20 % GF PA 6.6-FR
Housing material	PA 6.6-FR 20 % GF PA 6.6-FR

## Mechanical properties

### Mechanical data

Open side panel	No
-----------------	----

## Protective circuit

Direction of action	1L-N & N-PE
Nominal voltage $U_N$	240 V AC (TN-S) 240 V AC (TT)
Nominal frequency $f_N$	50 Hz (60 Hz)
Maximum continuous operating voltage $U_C$	264 V AC
Rated load current $I_L$	26 A (at 30 °C)
Short-circuit current rating $I_{SCCR}$	10 kA AC
Maximum backup fuse for through wiring	25 A (gG / B / C)
Max. backup fuse with branch wiring	depends on the plug used

### Additional technical data

Short-circuit current rating $I_{SCCR}$	max. 5 kA DC (depends on the plug used)
Maximum continuous operating voltage $U_C$	240 V DC

## Environmental and real-life conditions

### Ambient conditions

Degree of protection	IP20
Ambient temperature (operation)	-40 °C ... 80 °C
Ambient temperature (storage/transport)	-40 °C ... 80 °C
Altitude	≤ 2000 m (amsl)
Permissible humidity (operation)	5 % ... 95 %
Shock (operation)	30g (Half-sine / 11 ms / 3x ±X, ±Y, ±Z)

# PLT-SEC-T3-BE-FM-UT - Type 3 surge protection base element



2907924

<https://www.phoenixcontact.com/us/products/2907924>

Vibration (operation)	5g (5 ... 500 Hz / 2.5 h / X, Y, Z)
-----------------------	-------------------------------------

## Approvals

### UL specifications

Nominal voltage	240 V DC
Rated load current $I_L$	20 A
Power distribution system	Single phase
	DC
Nominal frequency	50/60 Hz
SPD Type	ACC

### UL indicator/remote signaling

Operating voltage	250 V AC (0.5 A)
DC operating voltage	12 V DC (4 A)
	24 V DC (2 A)
	48 V DC (1 A)

### UL connection data

Tightening torque	4.4 lb <sub>f</sub> -in.
Conductor cross-section AWG	16 ... 12

## Standards and regulations

Standards/specifications	IEC 61643-11
Note	2011

### EN 61643-11

Standards/specifications	EN 61643-11
Note	2012

## Mounting

Mounting type	DIN rail: 35 mm
---------------	-----------------

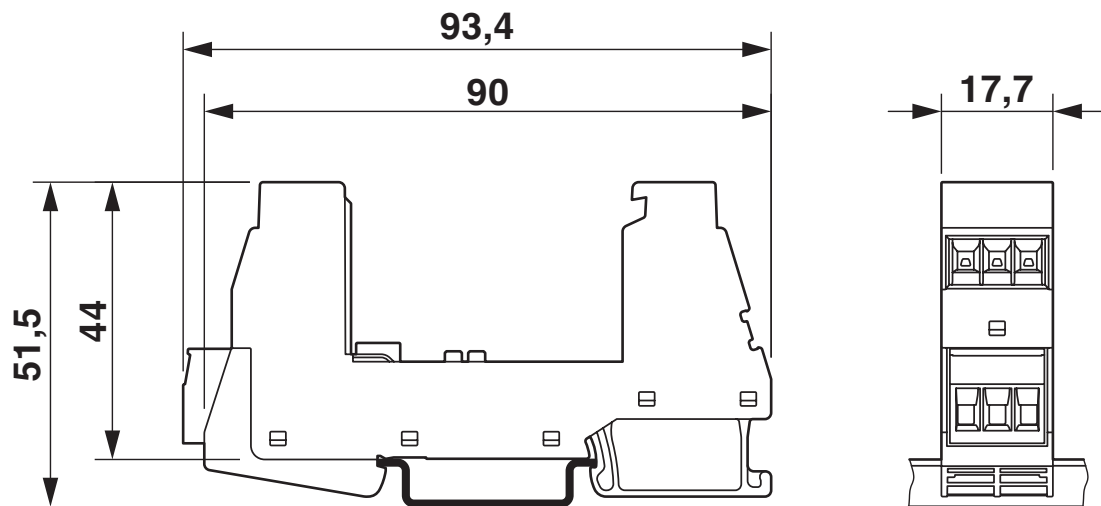
# PLT-SEC-T3-BE-FM-UT - Type 3 surge protection base element

2907924

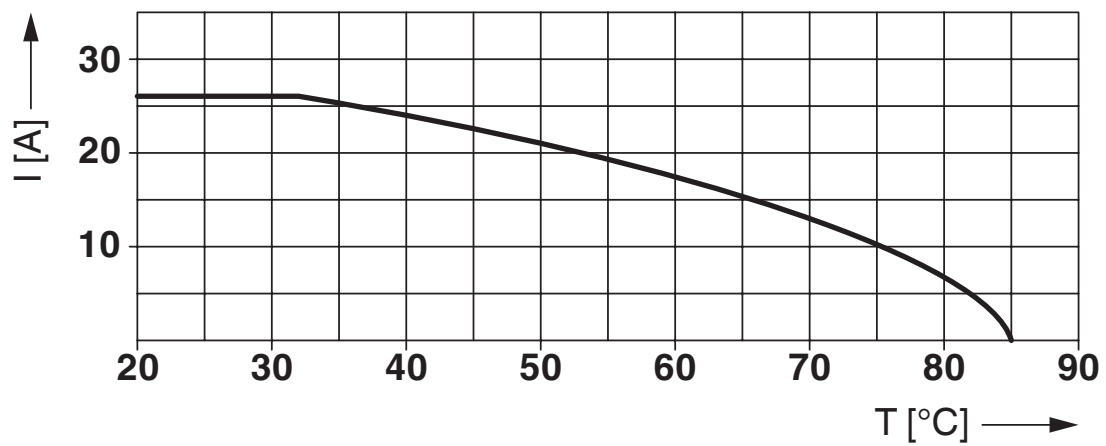
<https://www.phoenixcontact.com/us/products/2907924>

## Drawings

Dimensional drawing



Diagram



Nominal current depending on ambient temperature

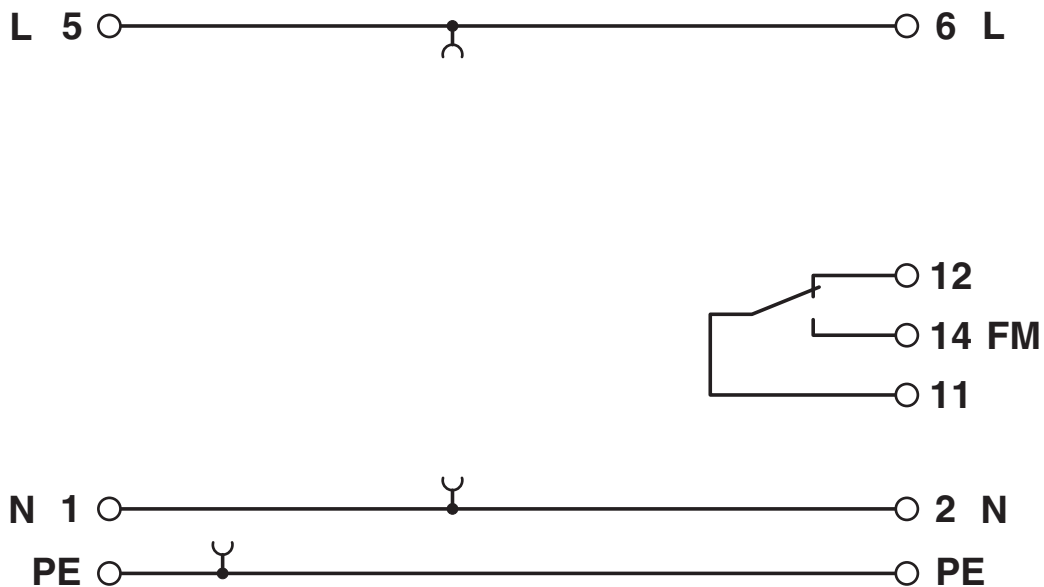
# PLT-SEC-T3-BE-FM-UT - Type 3 surge protection base element



2907924

<https://www.phoenixcontact.com/us/products/2907924>

Circuit diagram



# PLT-SEC-T3-BE-FM-UT - Type 3 surge protection base element



2907924

<https://www.phoenixcontact.com/us/products/2907924>

## Approvals

To download certificates, visit the product detail page: <https://www.phoenixcontact.com/us/products/2907924>



**cUL Recognized**  
Approval ID: FILE E 330181



**UL Recognized**  
Approval ID: FILE E 330181



**IECEE CB Scheme**  
Approval ID: NL-51083

**CCA**

Approval ID: NTR-NL 7676



**KEMA-KEUR**  
Approval ID: 71-103027



**CSA**  
Approval ID: 13631

**UAE-RoHS**

Approval ID: 23-10-88891

**DNV**

Approval ID: TAE00002U7



**cUL Recognized**  
Approval ID: FILE E 340736



**UL Recognized**  
Approval ID: FILE E 340736

# PLT-SEC-T3-BE-FM-UT - Type 3 surge protection base element



2907924

<https://www.phoenixcontact.com/us/products/2907924>

## Classifications

### ECLASS

ECLASS-13.0	27171292
ECLASS-15.0	27171292

### ETIM

ETIM 10.0	EC002496
-----------	----------

### UNSPSC

UNSPSC 21.0	39121600
-------------	----------

# PLT-SEC-T3-BE-FM-UT - Type 3 surge protection base element



2907924

<https://www.phoenixcontact.com/us/products/2907924>

## Environmental product compliance

### EU RoHS

Fulfills EU RoHS substance requirements	Yes, No exemptions
---	--------------------

### China RoHS

Environment friendly use period (EFUP)	EFUP-E
	No hazardous substances above the limits

### EU REACH SVHC

REACH candidate substance (CAS No.)	No substance above 0.1 wt%
-------------------------------------	----------------------------

Phoenix Contact 2026 © - all rights reserved  
<https://www.phoenixcontact.com>

Phoenix Contact USA  
586 Fulling Mill Road  
Middletown, PA 17057, United States  
(+717) 944-1300  
[info@phoenixcon.com](mailto:info@phoenixcon.com)