

PLT-SEC-T3-230-P-UT/PT - Type 3 surge protection plug



2907923

<https://www.phoenixcontact.com/us/products/2907923>

Please be informed that the data shown in this PDF document is generated from our online catalog. Please find the complete data in the user documentation. Our general terms of use for downloads are valid.



Replacement plug for type 2/3 surge protection from the PLT-SEC-...-UT/PT product series.
Nominal voltage 230 V.

Commercial data

Item number	2907923
Packing unit	10 pc
Minimum order quantity	1 pc
Sales key	CL19
Product key	CL14A4
GTIN	4055626257600
Weight per piece (including packing)	38.777 g
Weight per piece (excluding packing)	33.16 g
Customs tariff number	85363030
Country of origin	DE

PLT-SEC-T3-230-P-UT/PT - Type 3 surge protection plug



2907923

<https://www.phoenixcontact.com/us/products/2907923>

Technical data

Product properties

Product type	Replacement plug
Product family	SEC Family
IEC power supply system	TN-S
	TT
Type	Male
Number of positions	2
Surge protection fault message	optical

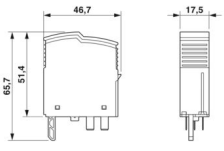
Insulation characteristics

Overvoltage category	III
Pollution degree	2
IEC test classification	II / III
	T2 / T3
EN type	T2 / T3
Number of ports	One

Connection data

Connection method	pluggable
-------------------	-----------

Dimensions

Dimensional drawing	
Width	17.5 mm
Height	46.7 mm
Depth	65.7 mm
Horizontal pitch	1 Div.

Material specifications

Color	light gray (RAL 7035)
	gray (RAL 7042)
Flammability rating according to UL 94	V-0
CTI value of material	600
Insulating material	PA 6.6-FR 20 % GF
	PA 6.6-FR
Housing material	PA 6.6-FR 20 % GF
	PA 6.6-FR

Protective circuit

PLT-SEC-T3-230-P-UT/PT - Type 3 surge protection plug



2907923

<https://www.phoenixcontact.com/us/products/2907923>

Mode of protection	L-N
	L-PE
	N-PE
Direction of action	1L-N & N-PE
Nominal voltage U_N	240 V AC (TN-S)
	240 V AC (TT)
Nominal frequency f_N	50 Hz (60 Hz)
Maximum continuous operating voltage U_C	264 V AC
Protective conductor current I_{PE}	$\leq 5 \mu A$
Standby power consumption P_C	$\leq 26.4 \text{ mVA (at } U_{REF})$
	$\leq 26.4 \text{ mVA (at } U_C)$
Reference test voltage U_{REF}	264 V AC
Nominal discharge current $I_n (8/20) \mu s$	5 kA
Maximum discharge current $I_{max} (8/20) \mu s$	10 kA
Combination wave U_{OC}	6 kV
Voltage protection level U_p (L-N)	$\leq 1.25 \text{ kV (at } U_{OC})$
	$\leq 1.4 \text{ kV (at } I_n)$
Voltage protection level U_p (L-PE)	$\leq 1.4 \text{ kV}$
Voltage protection level U_p (N-PE)	$\leq 1.4 \text{ kV}$
TOV behavior at U_T (L-N)	400 V AC (5 s / withstand mode)
	457 V AC (120 min / safe failure mode)
TOV behavior at U_T (L-PE)	457 V AC (5 s / withstand mode)
	457 V AC (120 min / withstand mode)
	1464 V AC (200 ms / safe failure mode)
	1200 V AC (200 ms / safe failure mode)
TOV behavior at U_T (N-PE)	1200 V AC (200 ms / safe failure mode)
Response time t_A (L-N)	$\leq 25 \text{ ns}$
Response time t_A (L-PE)	$\leq 100 \text{ ns}$
Response time t_A (N-PE)	$\leq 100 \text{ ns}$
Short-circuit current rating I_{SCCR}	10 kA AC
Max. backup fuse with branch wiring	32 A (gG / B / C)

Additional technical data

Short-circuit current rating I_{SCCR}	0.25 kA DC (Without additional backup fuse in the DC branch wiring)
	5 kA DC (for 20 A gG / B backup fuse)
Residual voltage U_{res} (L-N)	$\leq 1.15 \text{ kV (at } 2 \text{ kA)}$
	$\leq 1.25 \text{ kV (at } 3 \text{ kA)}$
	$\leq 1.1 \text{ kV (at } U_{OC} = 4 \text{ kV)}$
Residual voltage U_{res} (L-PE)	$\leq 1.1 \text{ kV (at } 2 \text{ kA)}$
	$\leq 1.1 \text{ kV (at } 3 \text{ kA)}$
	$\leq 1.2 \text{ kV (at } U_{OC} = 4 \text{ kV)}$
Residual voltage U_{res} (N-PE)	$\leq 1.1 \text{ kV (at } 2 \text{ kA)}$
	$\leq 1.1 \text{ kV (at } 3 \text{ kA)}$
	$\leq 1.2 \text{ kV (at } U_{OC} = 4 \text{ kV)}$

PLT-SEC-T3-230-P-UT/PT - Type 3 surge protection plug



2907923

<https://www.phoenixcontact.com/us/products/2907923>

Maximum continuous operating voltage U_C	275 V AC
	240 V DC
Mode of protection	(DC+) - (DC-)
	(DC+/DC-) - PE
IEC test classification (in accordance with IEC 61643-21)	D1
Impulse durability (wire-wire)	D1 - 500 A
Impulse durability (line-earth)	D1 - 500 A
Pulse discharge current I_{imp} (10/350) μ s (line-line)	0.5 kA
Pulse discharge current I_{imp} (10/350) μ s (line-earth)	0.5 kA

Environmental and real-life conditions

Ambient conditions

Degree of protection	IP20
Ambient temperature (operation)	-40 °C ... 80 °C
Ambient temperature (storage/transport)	-40 °C ... 80 °C
Altitude	\leq 6000 m (amsl)
Permissible humidity (operation)	5 % ... 95 %
Shock (operation)	30g (Half-sine / 11 ms / 3x \pm X, \pm Y, \pm Z)
Vibration (operation)	5g (5 ... 500 Hz / 2.5 h / X, Y, Z)

Approvals

UL specifications

Maximum continuous operating voltage MCOV	264 V AC
	240 V DC
Nominal discharge current I_n	5 kA
Mode of protection	L-N
	L-G
	N-G
	(DC+) - (DC-)
	(DC+) - G
	(DC-) - G
Nominal voltage	240 V DC
Power distribution system	Single phase
	DC
Nominal frequency	50/60 Hz
Measured limiting voltage MLV (L-N)	1150 V
Measured limiting voltage MLV (L-G)	1180 V
Measured limiting voltage MLV (N-G)	1180 V
SPD Type	4CA

Standards and regulations

Standards/specifications	IEC 61643-11
Note	2011

PLT-SEC-T3-230-P-UT/PT - Type 3 surge protection plug



2907923

<https://www.phoenixcontact.com/us/products/2907923>

EN 61643-11

Standards/specifications	EN 61643-11
Note	2012

Mounting

Mounting type	on base element
---------------	-----------------

PLT-SEC-T3-230-P-UT/PT - Type 3 surge protection plug

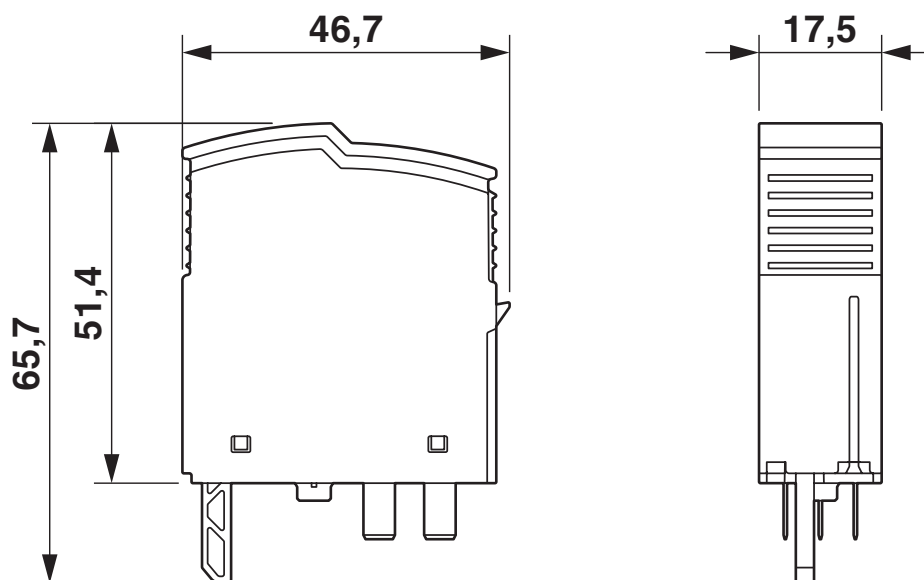


2907923

<https://www.phoenixcontact.com/us/products/2907923>

Drawings

Dimensional drawing



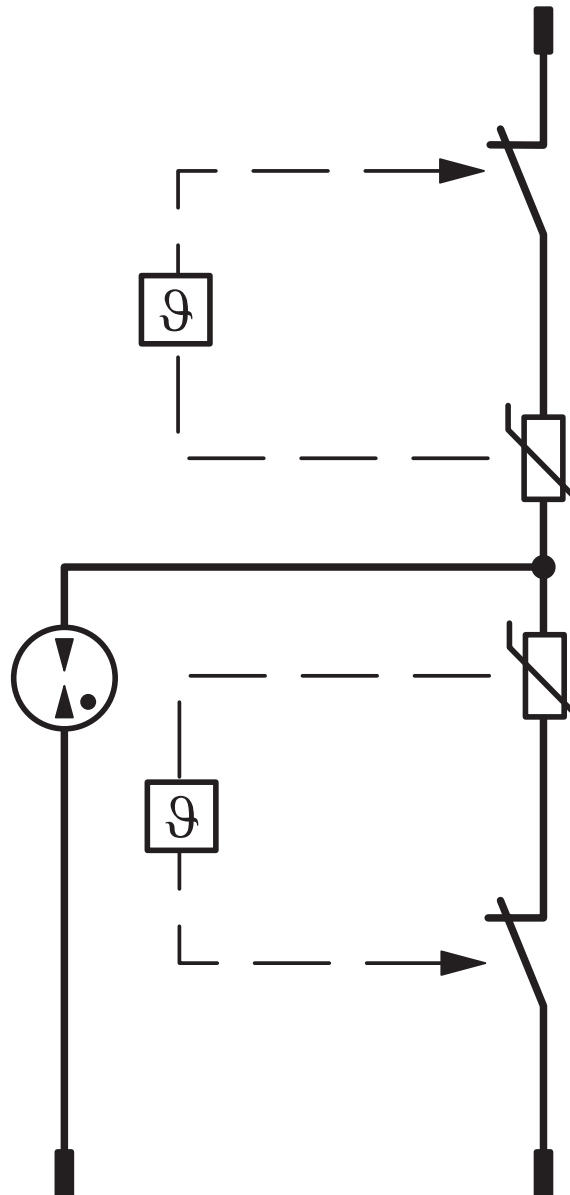
PLT-SEC-T3-230-P-UT/PT - Type 3 surge protection plug



2907923

<https://www.phoenixcontact.com/us/products/2907923>

Circuit diagram



PLT-SEC-T3-230-P-UT/PT - Type 3 surge protection plug



2907923

<https://www.phoenixcontact.com/us/products/2907923>

Approvals

To download certificates, visit the product detail page: <https://www.phoenixcontact.com/us/products/2907923>



cUL Recognized
Approval ID: FILE E 330181



UL Recognized
Approval ID: FILE E 330181



IECEE CB Scheme
Approval ID: NL-51083

CCA

Approval ID: NTR-NL 7676



KEMA-KEUR
Approval ID: 71-103027



CSA
Approval ID: 13631

UAE-RoHS

Approval ID: 23-10-88891

DNV

Approval ID: TAE00002U7



cUL Recognized
Approval ID: FILE E 340736



UL Recognized
Approval ID: FILE E 340736

PLT-SEC-T3-230-P-UT/PT - Type 3 surge protection plug



2907923

<https://www.phoenixcontact.com/us/products/2907923>

Classifications

ECLASS

ECLASS-13.0	27171292
ECLASS-15.0	27171292

ETIM

ETIM 10.0	EC002496
-----------	----------

UNSPSC

UNSPSC 21.0	39121600
-------------	----------

PLT-SEC-T3-230-P-UT/PT - Type 3 surge protection plug



2907923

<https://www.phoenixcontact.com/us/products/2907923>

Environmental product compliance

EU RoHS

Fulfills EU RoHS substance requirements	Yes, No exemptions
---	--------------------

China RoHS

Environment friendly use period (EFUP)	EFUP-E
	No hazardous substances above the limits

EU REACH SVHC

REACH candidate substance (CAS No.)	No substance above 0.1 wt%
-------------------------------------	----------------------------

EF3.1 Climate Change

CO2e kg	0.63 kg CO2e
---------	--------------

Phoenix Contact 2026 © - all rights reserved
<https://www.phoenixcontact.com>

Phoenix Contact USA
586 Fulling Mill Road
Middletown, PA 17057, United States
(+717) 944-1300
info@phoenixcon.com