

PLT-SEC-T3-60-P-UT/PT - Type 3 surge protection plug



2907921

<https://www.phoenixcontact.com/us/products/2907921>

Please be informed that the data shown in this PDF document is generated from our online catalog. Please find the complete data in the user documentation. Our general terms of use for downloads are valid.



Replacement plug for type 3 surge protection from the PLT-SEC-...-UT/PT product series.
Nominal voltage 60 V.

Commercial data

Item number	2907921
Packing unit	10 pc
Minimum order quantity	1 pc
Sales key	CL19
Product key	CL14A4
GTIN	4055626257471
Weight per piece (including packing)	36.3 g
Weight per piece (excluding packing)	33.16 g
Customs tariff number	85363030
Country of origin	DE

PLT-SEC-T3-60-P-UT/PT - Type 3 surge protection plug

2907921

<https://www.phoenixcontact.com/us/products/2907921>

Technical data

Product properties

Product type	Replacement plug
Product family	SEC Family
IEC power supply system	TN-S
Type	Male
Number of positions	2
Surge protection fault message	optical

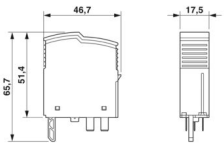
Insulation characteristics

Overvoltage category	III
Pollution degree	2
IEC test classification	III
	T3
EN type	T3
Number of ports	One

Connection data

Connection method	pluggable
-------------------	-----------

Dimensions

Dimensional drawing	
Width	17.5 mm
Height	46.7 mm
Depth	65.7 mm
Horizontal pitch	1 Div.

Material specifications

Color	light gray (RAL 7035)
	gray (RAL 7042)
Flammability rating according to UL 94	V-0
CTI value of material	600
Insulating material	PA 6.6-FR 20 % GF
	PA 6.6-FR
Housing material	PA 6.6-FR 20 % GF
	PA 6.6-FR

Protective circuit

	L-N
--	-----

PLT-SEC-T3-60-P-UT/PT - Type 3 surge protection plug



2907921

<https://www.phoenixcontact.com/us/products/2907921>

Mode of protection	L-PE
	N-PE
Direction of action	1L-N & N-PE
Nominal voltage U_N	60 V AC (TN-S)
Nominal frequency f_N	50 Hz (60 Hz)
Maximum continuous operating voltage U_C	80 V AC
Protective conductor current I_{PE}	$\leq 5 \mu\text{A}$
Standby power consumption P_C	$\leq 5.3 \text{ mVA}$ (at U_{REF})
	$\leq 8.4 \text{ mVA}$ (at U_C)
Reference test voltage U_{REF}	66 V AC
Nominal discharge current I_n (8/20) μs	2 kA
Combination wave U_{OC}	4 kV
Voltage protection level U_p (L-N)	$\leq 0.48 \text{ kV}$
Voltage protection level U_p (L-PE)	$\leq 0.8 \text{ kV}$
Voltage protection level U_p (N-PE)	$\leq 0.8 \text{ kV}$
TOV behavior at U_T (L-N)	120 V AC (120 min / safe failure mode)
TOV behavior at U_T (L-PE)	120 V AC (120 min / withstand mode)
Response time t_A (L-N)	$\leq 25 \text{ ns}$
Response time t_A (L-PE)	$\leq 100 \text{ ns}$
Response time t_A (N-PE)	$\leq 100 \text{ ns}$
Short-circuit current rating I_{SCCR}	10 kA AC
Max. backup fuse with branch wiring	32 A (gG / B / C)

Additional technical data

Short-circuit current rating I_{SCCR}	0.25 kA DC (Without additional backup fuse in the DC branch wiring)	
	5 kA DC (for 20 A gG / B backup fuse)	
Maximum discharge current I_{max} (8/20) μs	4 kA	
	Residual voltage U_{res} (L-N)	
	$\leq 0.42 \text{ kV}$ (at 1 kA) $\leq 0.48 \text{ kV}$ (at 2 kA) $\leq 0.4 \text{ kV}$ (at $U_{OC} = 2 \text{ kV}$)	
Residual voltage U_{res} (L-PE)	$\leq 0.55 \text{ kV}$ (at 1 kA) $\leq 0.6 \text{ kV}$ (at 2 kA) $\leq 0.6 \text{ kV}$ (at $U_{OC} = 2 \text{ kV}$)	
	Residual voltage U_{res} (N-PE)	$\leq 0.55 \text{ kV}$ (at 1 kA) $\leq 0.6 \text{ kV}$ (at 2 kA) $\leq 0.6 \text{ kV}$ (at $U_{OC} = 2 \text{ kV}$)
		Maximum continuous operating voltage U_C
Mode of protection		(DC+) - (DC-)
	(DC+/DC-) - PE	

Environmental and real-life conditions

Ambient conditions

Degree of protection	IP20
----------------------	------

PLT-SEC-T3-60-P-UT/PT - Type 3 surge protection plug



2907921

<https://www.phoenixcontact.com/us/products/2907921>

Ambient temperature (operation)	-40 °C ... 80 °C
Ambient temperature (storage/transport)	-40 °C ... 80 °C
Altitude	≤ 6000 m (amsl)
Permissible humidity (operation)	5 % ... 95 %
Shock (operation)	30g (Half-sine / 11 ms / 3x ±X, ±Y, ±Z)
Vibration (operation)	5g (5 ... 500 Hz / 2.5 h / X, Y, Z)

Approvals

UL specifications

Maximum continuous operating voltage MCOV	100 V AC
	80 V DC
Nominal discharge current I_n	3 kA
Mode of protection	L-N
	L-G
	N-G
	(DC+) - (DC-)
	(DC+) - G
	(DC-) - G
Nominal voltage	80 V DC
Power distribution system	Single phase
	DC
Nominal frequency	50/60 Hz
Measured limiting voltage MLV (L-N)	490 V
Measured limiting voltage MLV (L-G)	680 V
Measured limiting voltage MLV (N-G)	680 V
SPD Type	4CA

Standards and regulations

Standards/specifications	IEC 61643-11
Note	2011

EN 61643-11

Standards/specifications	EN 61643-11
Note	2012

Mounting

Mounting type	on base element
---------------	-----------------

PLT-SEC-T3-60-P-UT/PT - Type 3 surge protection plug

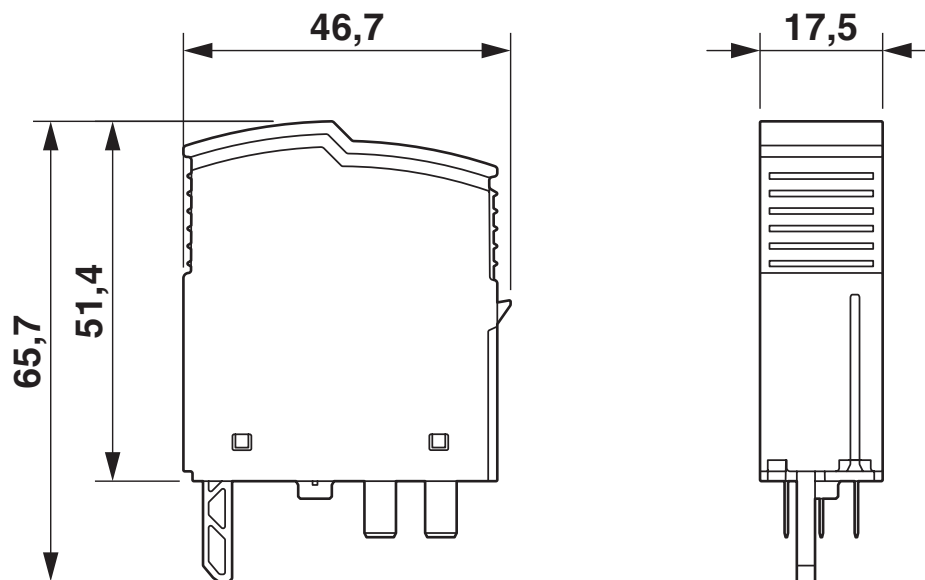


2907921

<https://www.phoenixcontact.com/us/products/2907921>

Drawings

Dimensional drawing



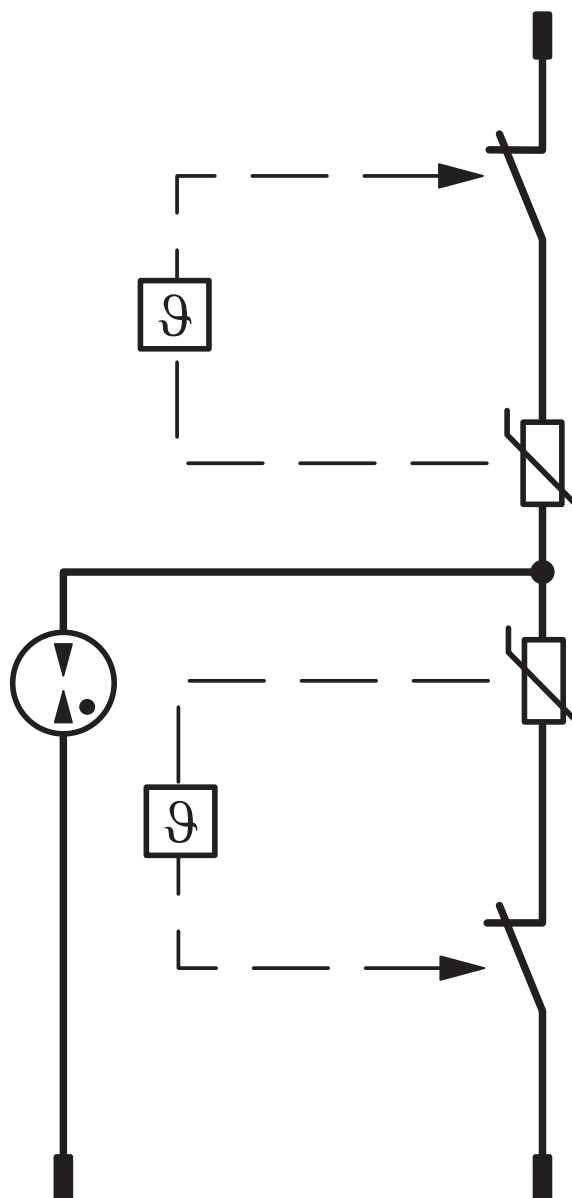
PLT-SEC-T3-60-P-UT/PT - Type 3 surge protection plug



2907921

<https://www.phoenixcontact.com/us/products/2907921>

Circuit diagram



PLT-SEC-T3-60-P-UT/PT - Type 3 surge protection plug



2907921

<https://www.phoenixcontact.com/us/products/2907921>

Approvals

To download certificates, visit the product detail page: <https://www.phoenixcontact.com/us/products/2907921>



cUL Recognized
Approval ID: FILE E 330181



UL Recognized
Approval ID: FILE E 330181



IECEE CB Scheme
Approval ID: NL-51083

CCA

Approval ID: NTR-NL 7676



KEMA-KEUR
Approval ID: 71-103027



CSA
Approval ID: 13631

UAE-RoHS

Approval ID: 23-10-88891

DNV

Approval ID: TAE00002U7



cUL Recognized
Approval ID: FILE E 340736



UL Recognized
Approval ID: FILE E 340736

PLT-SEC-T3-60-P-UT/PT - Type 3 surge protection plug



2907921

<https://www.phoenixcontact.com/us/products/2907921>

Classifications

ECLASS

ECLASS-13.0	27171292
ECLASS-15.0	27171292

ETIM

ETIM 10.0	EC002496
-----------	----------

UNSPSC

UNSPSC 21.0	39121600
-------------	----------

PLT-SEC-T3-60-P-UT/PT - Type 3 surge protection plug



2907921

<https://www.phoenixcontact.com/us/products/2907921>

Environmental product compliance

EU RoHS

Fulfills EU RoHS substance requirements	Yes, No exemptions
---	--------------------

China RoHS

Environment friendly use period (EFUP)	EFUP-E
	No hazardous substances above the limits

EU REACH SVHC

REACH candidate substance (CAS No.)	No substance above 0.1 wt%
-------------------------------------	----------------------------

EF3.1 Climate Change

CO2e kg	1.032 kg CO2e
---------	---------------

Phoenix Contact 2026 © - all rights reserved
<https://www.phoenixcontact.com>

Phoenix Contact USA
586 Fulling Mill Road
Middletown, PA 17057, United States
(+717) 944-1300
info@phoenixcon.com