

PLT-SEC-T3-60-FM-UT - Type 3 surge protection device



2907917

<https://www.phoenixcontact.com/us/products/2907917>

Please be informed that the data shown in this PDF document is generated from our online catalog. Please find the complete data in the user documentation. Our general terms of use for downloads are valid.



Type 3 surge protection, consisting of protective plug and base element, with integrated status indicator and remote signaling for single-phase power supply networks. Nominal voltage: 60 V AC/DC

Your advantages

- Surge protection family for universal use with optimum energy coordination from the lightning current arrester to the device protection
- Easy to maintain due to consistently pluggable protection modules
- Excellent level of information provided by mechanical/visual status indicator and remote indication contact
- Your preferred connection technology can be selected as both screw connection and Push-in connection are available
- Optimal additional protection of the industrial power supply for a longer service life and increased availability of the system

Commercial data

Item number	2907917
Packing unit	5 pc
Minimum order quantity	5 pc
Sales key	CL19
Product key	CL14A2
GTIN	4055626257426
Weight per piece (including packing)	93.69 g
Weight per piece (excluding packing)	81.16 g
Customs tariff number	85363030
Country of origin	DE

PLT-SEC-T3-60-FM-UT - Type 3 surge protection device



2907917

<https://www.phoenixcontact.com/us/products/2907917>

Technical data

Product properties

Product type	Device protection
Product family	SEC Family
IEC power supply system	TN-S
Type	DIN rail module, two-section, divisible
Number of positions	2
Surge protection fault message	Optical, remote indicator contact

Insulation characteristics

Overvoltage category	III
Pollution degree	2
IEC test classification	III
	T3
EN type	T3
Number of ports	One

Electrical properties

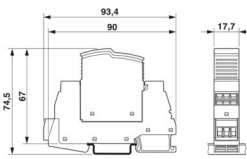
Indicator/remote signaling

Connection name	Remote fault indicator contact
Switching function	Changeover contact
Operating voltage	250 V AC
	125 V DC (200 mA DC)
Operating current	0.5 A AC
	0.5 A DC (75 V DC)

Connection data

Connection method	Screw connection
Screw thread	M3
Tightening torque	0.5 Nm
Conductor cross-section flexible	0.2 mm ² ... 2.5 mm ²
Conductor cross-section rigid	0.2 mm ² ... 4 mm ²
Conductor cross-section AWG	24 ... 12

Dimensions

Dimensional drawing	
Width	17.7 mm
Height	93.4 mm

PLT-SEC-T3-60-FM-UT - Type 3 surge protection device



2907917

<https://www.phoenixcontact.com/us/products/2907917>

Depth	74.5 mm (incl. DIN rail 7.5 mm)
Horizontal pitch	1 Div.

Material specifications

Color (Male connector)	light gray (RAL 7035)
Color (Base element)	gray (RAL 7042)
Flammability rating according to UL 94	V-0
CTI value of material	600
Insulating material	PA 6.6-FR 20 % GF
	PA 6.6-FR
Housing material	PA 6.6-FR 20 % GF
	PA 6.6-FR

Protective circuit

Mode of protection	L-N
	L-PE
	N-PE
Direction of action	1L-N & N-PE
Nominal voltage U_N	60 V AC (TN-S)
Nominal frequency f_N	50 Hz (60 Hz)
Maximum continuous operating voltage U_C	80 V AC
Rated load current I_L	26 A (at 30 °C)
Protective conductor current I_{PE}	$\leq 5 \mu\text{A}$
Standby power consumption P_C	$\leq 5.3 \text{ mVA}$ (at U_{REF})
	$\leq 8.4 \text{ mVA}$ (at U_C)
Reference test voltage U_{REF}	66 V AC
Nominal discharge current I_n (8/20) μs	2 kA
Combination wave U_{OC}	4 kV
Voltage protection level U_p (L-N)	$\leq 0.48 \text{ kV}$
Voltage protection level U_p (L-PE)	$\leq 0.8 \text{ kV}$
Voltage protection level U_p (N-PE)	$\leq 0.8 \text{ kV}$
TOV behavior at U_T (L-N)	120 V AC (120 min / withstand mode)
TOV behavior at U_T (L-PE)	120 V AC (120 min / withstand mode)
Response time t_A (L-N)	$\leq 25 \text{ ns}$
Response time t_A (L-PE)	$\leq 100 \text{ ns}$
Response time t_A (N-PE)	$\leq 100 \text{ ns}$
Short-circuit current rating I_{SCCR}	10 kA AC
Maximum backup fuse for through wiring	25 A (gG / B / C)
Max. backup fuse with branch wiring	32 A (gG / B / C)

Additional technical data

Short-circuit current rating I_{SCCR}	0.25 kA DC (Without additional backup fuse in the DC branch wiring)
	5 kA DC (for 20 A gG / B backup fuse)
Maximum discharge current I_{max} (8/20) μs	4 kA

PLT-SEC-T3-60-FM-UT - Type 3 surge protection device



2907917

<https://www.phoenixcontact.com/us/products/2907917>

Residual voltage U_{res} (L-N)	≤ 0.42 kV (at 1 kA)
	≤ 0.48 kV (at 2 kA)
	≤ 0.4 kV (at $U_{OC} = 2$ kV)
Residual voltage U_{res} (L-PE)	≤ 0.55 kV (at 1 kA)
	≤ 0.6 kV (at 2 kA)
	≤ 0.6 kV (at $U_{OC} = 2$ kV)
Residual voltage U_{res} (N-PE)	≤ 0.55 kV (at 1 kA)
	≤ 0.6 kV (at 2 kA)
	≤ 0.6 kV (at $U_{OC} = 2$ kV)
Maximum continuous operating voltage U_C	80 V DC
Mode of protection	(DC+) - (DC-)
	(DC+/DC-) - PE

Environmental and real-life conditions

Ambient conditions

Degree of protection	IP20
Ambient temperature (operation)	-40 °C ... 80 °C
Ambient temperature (storage/transport)	-40 °C ... 80 °C
Altitude	≤ 2000 m (operating voltage remote contact ≤ 250 V)
	≤ 6000 m (operating voltage remote contact ≤ 150 V)
Permissible humidity (operation)	5 % ... 95 %
Shock (operation)	30g (Half-sine / 11 ms / 3x $\pm X$, $\pm Y$, $\pm Z$)
Vibration (operation)	5g (5 ... 500 Hz / 2.5 h / X, Y, Z)

Approvals

UL specifications

Maximum continuous operating voltage MCOV	100 V AC
	80 V DC
Nominal discharge current I_n	3 kA
Mode of protection	L-N
	L-G
	N-G
	(DC+) - (DC-)
	(DC+) - G
	(DC-) - G
Nominal voltage	80 V DC
Rated load current I_L	20 A
Power distribution system	Single phase
	DC
Nominal frequency	50/60 Hz
Measured limiting voltage MLV (L-N)	490 V
Measured limiting voltage MLV (L-G)	680 V
Measured limiting voltage MLV (N-G)	680 V

PLT-SEC-T3-60-FM-UT - Type 3 surge protection device



2907917

<https://www.phoenixcontact.com/us/products/2907917>

SPD Type	4CA
----------	-----

UL indicator/remote signaling

Operating voltage	250 V AC (0.5 A)
DC operating voltage	12 V DC (4 A)
	24 V DC (2 A)
	48 V DC (1 A)

UL connection data

Tightening torque	4.4 lb _F -in.
Conductor cross-section AWG	16 ... 12

Standards and regulations

Standards/specifications	IEC 61643-11
Note	2011

EN 61643-11

Standards/specifications	EN 61643-11
Note	2012

Mounting

Mounting type	DIN rail: 35 mm
---------------	-----------------

PLT-SEC-T3-60-FM-UT - Type 3 surge protection device

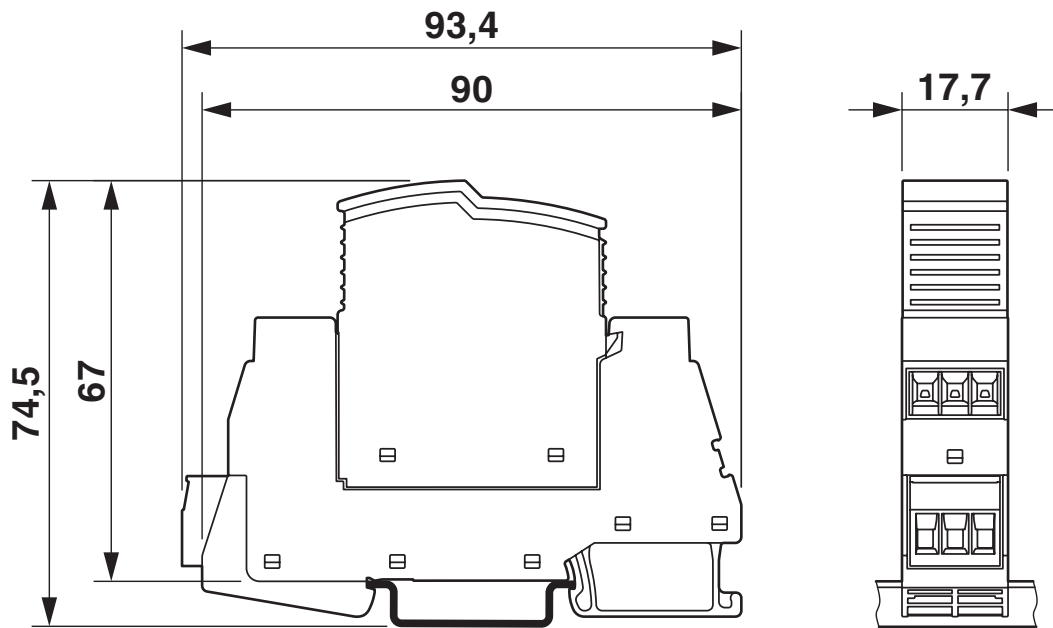


2907917

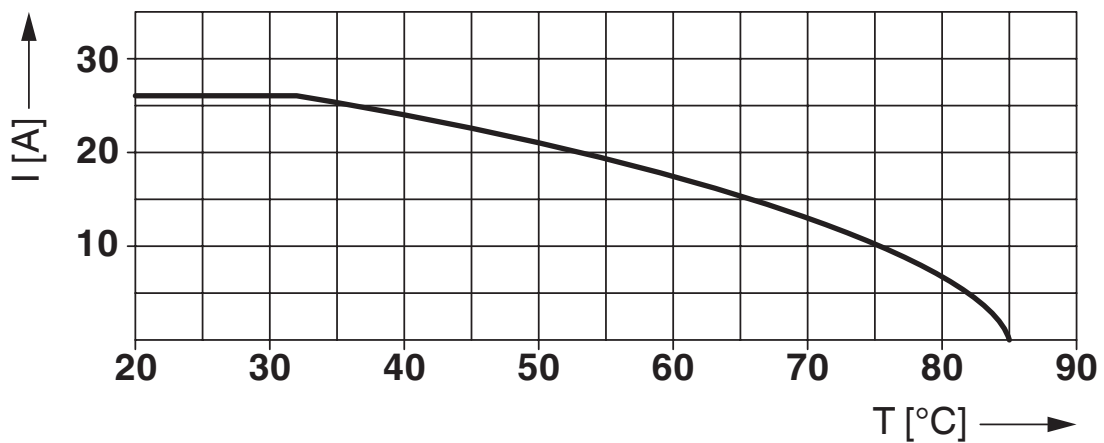
<https://www.phoenixcontact.com/us/products/2907917>

Drawings

Dimensional drawing



Diagram



Nominal current depending on ambient temperature

PLT-SEC-T3-60-FM-UT - Type 3 surge protection device



2907917

<https://www.phoenixcontact.com/us/products/2907917>



PLT-SEC-T3-60-FM-UT - Type 3 surge protection device



2907917

<https://www.phoenixcontact.com/us/products/2907917>

Approvals

To download certificates, visit the product detail page: <https://www.phoenixcontact.com/us/products/2907917>



cUL Recognized
Approval ID: FILE E 330181



UL Recognized
Approval ID: FILE E 330181



IECEE CB Scheme
Approval ID: NL-51083

CCA

Approval ID: NTR-NL 7676



KEMA-KEUR
Approval ID: 71-103027



CSA
Approval ID: 13631

UAE-RoHS

Approval ID: 23-10-88891

DNV

Approval ID: TAE00002U7



cUL Recognized
Approval ID: FILE E 340736



UL Recognized
Approval ID: FILE E 340736

PLT-SEC-T3-60-FM-UT - Type 3 surge protection device



2907917

<https://www.phoenixcontact.com/us/products/2907917>

Classifications

ECLASS

ECLASS-13.0	27171203
ECLASS-15.0	27171203

ETIM

ETIM 10.0	EC000942
-----------	----------

UNSPSC

UNSPSC 21.0	39121600
-------------	----------

PLT-SEC-T3-60-FM-UT - Type 3 surge protection device



2907917

<https://www.phoenixcontact.com/us/products/2907917>

Environmental product compliance

EU RoHS

Fulfills EU RoHS substance requirements	Yes, No exemptions
---	--------------------

China RoHS

Environment friendly use period (EFUP)	EFUP-E
	No hazardous substances above the limits

EU REACH SVHC

REACH candidate substance (CAS No.)	No substance above 0.1 wt%
-------------------------------------	----------------------------

Phoenix Contact 2026 © - all rights reserved
<https://www.phoenixcontact.com>

Phoenix Contact USA
586 Fulling Mill Road
Middletown, PA 17057, United States
(+717) 944-1300
info@phoenixcon.com