

# VAL-SEC-T2-220DC-P - Type 2 surge protection plug



2907879

<https://www.phoenixcontact.com/us/products/2907879>

Please be informed that the data shown in this PDF document is generated from our online catalog. Please find the complete data in the user documentation. Our general terms of use for downloads are valid.



Replacement plug for surge protective devices from the VALVETRAB SEC product range for DC power sources.

## Your advantages

- Surge protection family for universal use with optimum energy coordination from the lightning current arrester to the device protection
- Easy to maintain due to consistently pluggable protection modules
- Excellent level of information provided by mechanical/visual status indicator and remote indication contact
- Extremely narrow design, just 12 mm per position
- Varistor arrester with a low leakage current

## Commercial data

Item number	2907879
Packing unit	1 pc
Minimum order quantity	1 pc
Note	Made to order (non-returnable)
Sales key	CL01
Product key	CL1353
GTIN	4055626245041
Weight per piece (including packing)	61.2 g
Weight per piece (excluding packing)	47.35 g
Customs tariff number	85363090
Country of origin	DE

# VAL-SEC-T2-220DC-P - Type 2 surge protection plug



2907879

<https://www.phoenixcontact.com/us/products/2907879>

## Technical data

### Product properties

Product type	Replacement plug
Product family	SEC Family
IEC test classification	II T2
EN type	T2
IEC power supply system	DC
Type	Male
Number of positions	1
Surge protection fault message	optical

### Insulation characteristics

Overvoltage category	III
Pollution degree	2

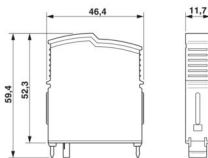
### Electrical properties

Nominal voltage $U_N$	200 V DC ... 220 V DC
-----------------------	-----------------------

### Connection data

Connection method	pluggable
-------------------	-----------

### Dimensions

Dimensional drawing	
Width	11.7 mm
Height	46.4 mm
Depth	59.4 mm
Horizontal pitch	0.6 Div.

### Material specifications

Color	light gray (RAL 7035)
Flammability rating according to UL 94	V-0
CTI value of material	600
Insulating material	PA6.6-FR 20% GF PBT-FR
Material group	I
Housing material	PA 6.6-FR 20 % GF PBT-FR

## Protective circuit

Mode of protection	(DC+) - (DC-) (DC+/DC-) - PE
Direction of action	(DC+/DC-) - PE
Nominal voltage $U_N$	200 V DC ... 220 V DC
Maximum continuous operating voltage $U_C$	250 V DC
Protective conductor current $I_{PE}$	$\leq 5 \mu\text{A DC}$
Nominal discharge current $I_n$ (8/20) $\mu\text{s}$	20 kA
Maximum discharge current $I_{\text{max}}$ (8/20) $\mu\text{s}$	40 kA
Impulse discharge current (10/350) $\mu\text{s}$ , charge	0.5 As
Impulse discharge current (10/350) $\mu\text{s}$ , specific energy	0.25 kJ/ $\Omega$
Impulse discharge current (10/350) $\mu\text{s}$ , peak value $I_{\text{imp}}$	1 kA
Short-circuit current rating $I_{\text{SCCR}}$	0.2 kA (without backup fuse) 6 kA (for 20 A gG/B backup fuse)
Voltage protection level $U_p$	$\leq 1.5 \text{ kV}$
Residual voltage $U_{\text{res}}$	$\leq 1.5 \text{ kV}$ (at $I_n$ ) $\leq 1.3 \text{ kV}$ (at 10 kA) $\leq 1.2 \text{ kV}$ (at 5 kA) $\leq 1.1 \text{ kV}$ (at 4 kA) $\leq 1 \text{ kV}$ (at 2 kA)
TOV behavior at $U_T$	320 V DC (5 s / withstand mode)
Response time $t_A$	$\leq 25 \text{ ns}$
Max. backup fuse with V-type through wiring	20 A (gG / B at $I_{\text{SCCR}} > 200 \text{ A}$ )
Max. backup fuse with branch wiring	20 A (gG / B at $I_{\text{SCCR}} > 200 \text{ A}$ )

## Additional technical data

Maximum continuous operating voltage $U_C$	264 V AC (for operation in safety lighting systems)
--	---

## Environmental and real-life conditions

## Ambient conditions

Degree of protection	IP20
Ambient temperature (operation)	-40 °C ... 80 °C
Ambient temperature (storage/transport)	-40 °C ... 80 °C
Altitude	$\leq 6000 \text{ m}$ (amsl)
Permissible humidity (operation)	5 % ... 95 %
Shock (operation)	30g (Half-sine / 11 ms / $3x \pm X, \pm Y, \pm Z$ )
Vibration (operation)	5g (10 ... 500 Hz / 2.5 h / X, Y, Z)

## Approvals

## UL specifications

Maximum continuous operating voltage MCOV	250 V DC
Nominal discharge current $I_n$	20 kA
Mode of protection	(DC+) - G

# VAL-SEC-T2-220DC-P - Type 2 surge protection plug



2907879

<https://www.phoenixcontact.com/us/products/2907879>

	(DC-) - G
Nominal voltage	220 V DC
Power distribution system	DC
Measured limiting voltage MLV	1640 V
SPD Type	4CA

## Standards and regulations

Standards/specifications	IEC 61643-11
Note	2011

### EN 61643-11

Standards/specifications	EN 61643-11
Note	2012

## Mounting

Mounting type	on base element
---------------	-----------------

# VAL-SEC-T2-220DC-P - Type 2 surge protection plug

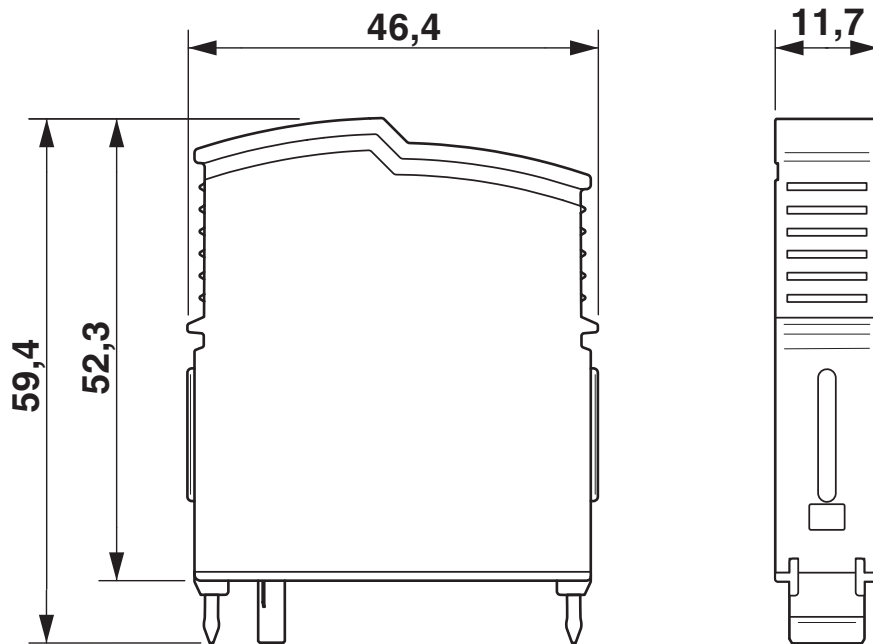


2907879

<https://www.phoenixcontact.com/us/products/2907879>

## Drawings

Dimensional drawing



Circuit diagram



# VAL-SEC-T2-220DC-P - Type 2 surge protection plug



2907879

<https://www.phoenixcontact.com/us/products/2907879>

## Approvals

To download certificates, visit the product detail page: <https://www.phoenixcontact.com/us/products/2907879>



**cUL Recognized**  
Approval ID: FILE E 330181



**UL Recognized**  
Approval ID: FILE E 330181

**UAE-RoHS**

Approval ID: 23-10-88707

# VAL-SEC-T2-220DC-P - Type 2 surge protection plug



2907879

<https://www.phoenixcontact.com/us/products/2907879>

## Classifications

### ECLASS

ECLASS-13.0	27171292
ECLASS-15.0	27171292

### ETIM

ETIM 10.0	EC002496
-----------	----------

### UNSPSC

UNSPSC 21.0	39121600
-------------	----------

# VAL-SEC-T2-220DC-P - Type 2 surge protection plug



2907879

<https://www.phoenixcontact.com/us/products/2907879>

## Environmental product compliance

### EU RoHS

Fulfills EU RoHS substance requirements	Yes, No exemptions
---	--------------------

### China RoHS

Environment friendly use period (EFUP)	EFUP-E
	No hazardous substances above the limits

### EU REACH SVHC

REACH candidate substance (CAS No.)	No substance above 0.1 wt%
-------------------------------------	----------------------------

Phoenix Contact 2026 © - all rights reserved  
<https://www.phoenixcontact.com>

Phoenix Contact USA  
586 Fulling Mill Road  
Middletown, PA 17057, United States  
(+717) 944-1300  
[info@phoenixcon.com](mailto:info@phoenixcon.com)