

ETD-BL-2T-I-230-PT - Timer relay

2907714

<https://www.phoenixcontact.com/us/products/2907714>

Please be informed that the data shown in this PDF document is generated from our online catalog. Please find the complete data in the user documentation. Our general terms of use for downloads are valid.



Compact impulse encoder with adjustable pulse and pause times (50 ms - 100 h), wide range power supply unit, with Push-in connection, 1 changeover contact

Product description

Increasingly higher demands are being placed on safety and system availability – across all sectors. Processes are becoming more and more complex, not only in mechanical engineering and the chemical industry, but also in plant and automation technology. Demands on power engineering are also increasing constantly.

The timer relays in the ETD series can be used to control time sequences in production and process technology.

Your advantages

- Time ranges from a few milliseconds to several days
- 2 floating changeover contact outputs

Commercial data

| | |
|--------------------------------------|---------------|
| Item number | 2907714 |
| Packing unit | 1 pc |
| Minimum order quantity | 1 pc |
| Sales key | C442 |
| Product key | DKF112 |
| GTIN | 4055626220765 |
| Weight per piece (including packing) | 71.8 g |
| Weight per piece (excluding packing) | 71.2 g |
| Customs tariff number | 85364900 |
| Country of origin | AT |

ETD-BL-2T-I-230-PT - Timer relay



2907714

<https://www.phoenixcontact.com/us/products/2907714>

Technical data

Product properties

| | |
|-------------------------|--------------------------------|
| Product type | Timer relay |
| Operating mode | 100% operating factor |
| Mechanical service life | approx. 2×10^7 cycles |

Insulation characteristics

| | |
|----------------------|------------------|
| Insulation | Basic insulation |
| Overvoltage category | III |
| Pollution degree | 2 |

Electrical properties

| | |
|--|---|
| Service life electrical | approx. 2×10^5 cycles at ohmic load, 1000 VA |
| Nominal frequency | 48 Hz ... 63 Hz |
| Nominal power consumption | 2.5 VA (1 W) |
| Test voltage relay winding/relay contact | 4 kV |
| Rated insulation voltage | 300 V |

Input data

| | |
|----------------------------------|--|
| Nominal power consumption | 2.5 VA (1 W) |
| Input voltage range | 24 V AC/DC ... 240 V AC/DC -10 % ... +15 % |
| Temperature coefficient, typical | ≤ 0.01 %/K |
| Recovery time | 500 ms |
| Function | lp: Switched-mode beginning with the pause li: Switched-mode beginning with the pulse |
| Setting range time | 50 ms ... 100 h (7 time end ranges) |
| Basic accuracy | ± 1 % (of scale end value) |
| Setting accuracy | ≤ 5 % (of scale end value) |
| Repeat accuracy | ≤ 0.5 % ± 5 ms |

Control

| | |
|----------------------|---|
| Connection name | Non-floating, terminals A1-B1 |
| Control pulse length | ≥ 50 ms (DC) ≥ 100 ms (AC) |

Output data

Switching

| | |
|---------------------------------------|---|
| Contact switching type | 1 floating changeover contact |
| Maximum switching voltage | 250 V AC (in acc. with IEC 60664-1) |
| Interrupting rating (ohmic load) max. | 750 VA (3 A/250 V AC, module aligned, ≤ 5 mm spacing) 1250 VA (5 A/250 V AC, module not aligned, ≥ 5 mm spacing) |
| Output fuse | 5 A (fast-blow) |

ETD-BL-2T-I-230-PT - Timer relay



2907714

<https://www.phoenixcontact.com/us/products/2907714>

Connection data

| | |
|----------------------------------|--|
| Connection method | Push-in connection |
| Stripping length | 8 mm |
| Conductor cross-section rigid | 0.14 mm ² ... 2.5 mm ² |
| Conductor cross-section flexible | 0.14 mm ² ... 2.5 mm ² |
| Conductor cross-section AWG | 26 ... 14 |

Signaling

| | |
|----------------|---------------------------|
| Status display | Green LED (POWER) |
| | Yellow LED (relay active) |

Dimensions

| | |
|--------|---------|
| Width | 17.5 mm |
| Height | 89.5 mm |
| Depth | 65.5 mm |

Material specifications

| | |
|--|-----------------|
| Color | gray (RAL 7042) |
| Flammability rating according to UL 94 | V0 |

Environmental and real-life conditions

Ambient conditions

| | |
|---|--|
| Degree of protection (Housing) | IP40 (Housing) |
| Degree of protection (Connection terminal blocks) | IP20 (Connection terminal blocks) |
| Ambient temperature (operation) | -25 °C ... 55 °C |
| | -25 °C ... 40 °C (corresponds to UL 508) |
| Ambient temperature (storage/transport) | -25 °C ... 70 °C |
| Climatic class | 3K3 (in acc. with EN 60721) |
| Permissible humidity (operation) | 15 % ... 85 % |

Approvals

CE

| | |
|-------------|--------------|
| Certificate | CE-compliant |
|-------------|--------------|

UKCA

| | |
|-------------|----------------|
| Certificate | UKCA-compliant |
|-------------|----------------|

EMC data

| | |
|-------------------------------|--|
| Electromagnetic compatibility | Conformance with EMC directive |
| Low Voltage Directive | Conformance with Low Voltage Directive |
| Noise immunity | EN 61000-6-2 |

Noise emission

| | |
|-----------------------|--------------|
| Standards/regulations | EN 61000-6-4 |
|-----------------------|--------------|

ETD-BL-2T-I-230-PT - Timer relay



2907714

<https://www.phoenixcontact.com/us/products/2907714>

Standards and regulations

| | |
|-----------------------|----------|
| Standards/regulations | EN 50178 |
|-----------------------|----------|

Mounting

| | |
|-------------------|--|
| Mounting type | DIN rail mounting |
| Assembly note | on standard DIN rail NS 35 in accordance with EN 60715 |
| Mounting position | any |

ETD-BL-2T-I-230-PT - Timer relay

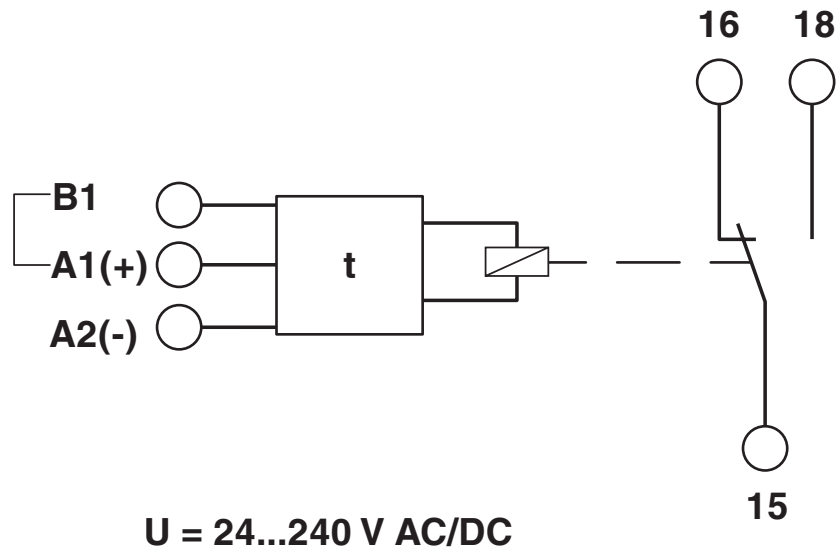
2907714

<https://www.phoenixcontact.com/us/products/2907714>



Drawings

Block diagram



ETD-BL-2T-I-230-PT - Timer relay



2907714

<https://www.phoenixcontact.com/us/products/2907714>

Approvals

To download certificates, visit the product detail page: <https://www.phoenixcontact.com/us/products/2907714>



EAC

Approval ID: RU C-DE.**08.B-00957

ETD-BL-2T-I-230-PT - Timer relay



2907714

<https://www.phoenixcontact.com/us/products/2907714>

Classifications

ECLASS

| | |
|-------------|----------|
| ECLASS-13.0 | 27371605 |
| ECLASS-15.0 | 27371605 |

ETIM

| | |
|-----------|----------|
| ETIM 10.0 | EC001439 |
|-----------|----------|

UNSPSC

| | |
|-------------|----------|
| UNSPSC 21.0 | 39122300 |
|-------------|----------|

ETD-BL-2T-I-230-PT - Timer relay



2907714

<https://www.phoenixcontact.com/us/products/2907714>

Environmental product compliance

EU RoHS

| | |
|---|--------------------|
| Fulfills EU RoHS substance requirements | Yes, No exemptions |
|---|--------------------|

China RoHS

| | |
|--|---|
| Environment friendly use period (EFUP) | EFUP-50 |
| | An article-related China RoHS declaration table can be found in the download area for the respective article under "Manufacturer declaration". For all articles with EFUP-E, no China RoHS declaration table issued and required. |

EU REACH SVHC

| | |
|-------------------------------------|----------------------------|
| REACH candidate substance (CAS No.) | No substance above 0.1 wt% |
|-------------------------------------|----------------------------|

EF3.1 Climate Change

| | |
|---------|----------------|
| CO2e kg | 10.094 kg CO2e |
|---------|----------------|

Phoenix Contact 2026 © - all rights reserved
<https://www.phoenixcontact.com>

Phoenix Contact USA
586 Fulling Mill Road
Middletown, PA 17057, United States
(+717) 944-1300
info@phoenixcon.com