

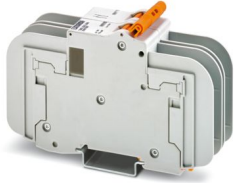
TMC 82C 06A - Miniature Circuit Breaker



2907588

<https://www.phoenixcontact.com/us/products/2907588>

Please be informed that the data shown in this PDF document is generated from our online catalog. Please find the complete data in the user documentation. Our general terms of use for downloads are valid.



Thermal-magnetic Miniature Circuit Breaker, 2-position, use: Branch Circuit Protection (UL 489), for protection against overload with a breaking capacity of 10 kA, tripping characteristic: C, mounting type: NS 35/..., rated current: 6 A

Product description

CCC marking on the product is only present on products purchased from Phoenix Contact China.

Your advantages

- Can be used worldwide due to international approvals
- Suitable for various grid types, as it is available in 1-, 2-, 3-pos. versions
- Ideally coordinated protection due to various tripping characteristics and a wide selection of nominal currents
- Reduced inventory because of suitability for AC and DC applications
- Optional accessories enable remote control and monitoring

Commercial data

| | |
|--------------------------------------|---------------|
| Item number | 2907588 |
| Packing unit | 6 pc |
| Minimum order quantity | 1 pc |
| Sales key | CL08 |
| Product key | CLA125 |
| GTIN | 4055626215594 |
| Weight per piece (including packing) | 270 g |
| Weight per piece (excluding packing) | 262 g |
| Customs tariff number | 85362010 |
| Country of origin | CN |

TMC 82C 06A - Miniature Circuit Breaker



2907588

<https://www.phoenixcontact.com/us/products/2907588>

Technical data

Product properties

| | |
|-------------------------|--|
| Product type | Circuit breakers |
| Product family | TMC 8 |
| Type | DIN rail module, one-piece |
| Number of positions | 2 |
| Mechanical service life | 20000 |
| Special properties | Branch Circuit Protection (UL 489), for protection against overload with a breaking capacity of 10 kA Thermal-magnetic |

Electrical properties

| | |
|-------------------------|------|
| Service life electrical | 6000 |
|-------------------------|------|

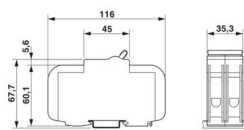
General

| | |
|---|---|
| Operating voltage | 277 V AC (277/480Y, 240D, 120/240S) 125 V DC (two poles in series) |
| Rated current I_N | 6 A |
| Tripping method | TM (thermal-magnetic) |
| Rated short-circuit switching capacity I_{cn} | 10 kA (IC) |
| Fuse | C |
| Contact switching type | none |

Connection data

| | |
|---------------------------------------|--|
| Conductor cross-section rigid | 1 mm ² ... 35 mm ² |
| Cross section AWG | 18 ... 2 (converted acc. to IEC) |
| Conductor cross-section flexible | 1 mm ² ... 35 mm ² |
| Connection method | Screw connection |
| Tightening torque, min | 2 Nm |
| Tightening torque | 2 Nm |
| Stripping length | 11 mm ... 12 mm |
| Conductor cross-section flexible max. | 35 mm ² |
| Conductor cross-section, rigid max. | 35 mm ² |
| Conductor cross-section flexible | 1 mm ² ... 35 mm ² |
| Conductor cross-section rigid | 1 mm ² ... 35 mm ² |
| Conductor cross-section AWG | 18 ... 2 |

Dimensions

| | |
|---------------------|--|
| Dimensional drawing |  |
| Width | 35.3 mm |
| Height | 116 mm |

TMC 82C 06A - Miniature Circuit Breaker



2907588

<https://www.phoenixcontact.com/us/products/2907588>

| | |
|-------|---------------------------------|
| Depth | 76.6 mm (incl. DIN rail 7.5 mm) |
|-------|---------------------------------|

Material specifications

| | |
|-------|-----------------------|
| Color | light gray (RAL 7035) |
| | gray (RAL 7042) |

Environmental and real-life conditions

Ambient conditions

| | |
|---------------------------------|---|
| Ambient temperature (operation) | -35 °C ... 70 °C |
| Humidity test | 48 h, 95% RH, 40°C (IEC 60068-2-78) |
| Shock (operation) | 30g (11 ms) (IEC 60068-2-11) |
| Vibration (operation) | ±0,38 mm (10 Hz ... 57 Hz), 5g (57 Hz ... 500 Hz) (IEC 60068-2-6, Fc, sine) |

Standards and regulations

| | |
|--------------------------|-------------|
| Standards/specifications | UL 489 |
| | IEC 60947-2 |

Mounting

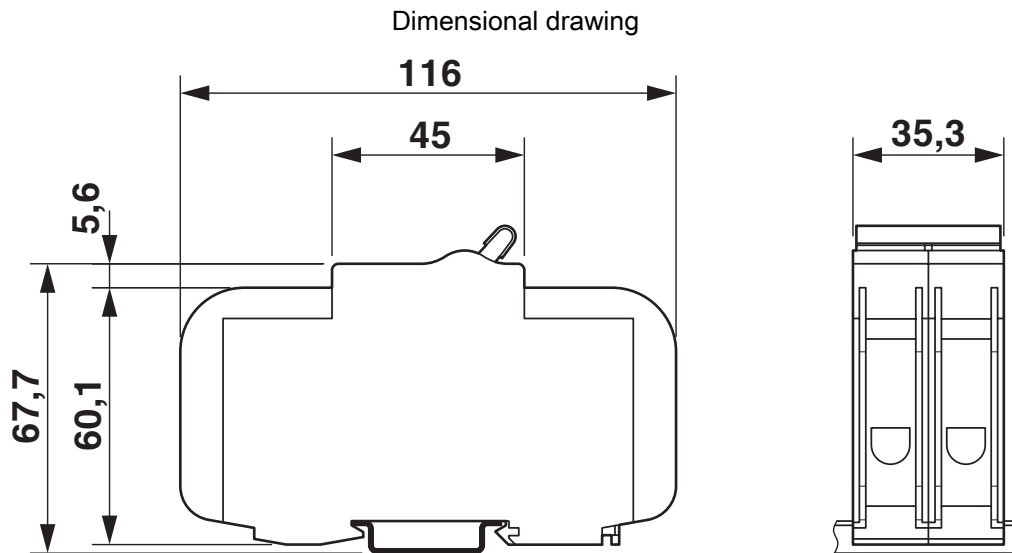
| | |
|---------------|-----------|
| Mounting type | NS 35/... |
|---------------|-----------|

TMC 82C 06A - Miniature Circuit Breaker

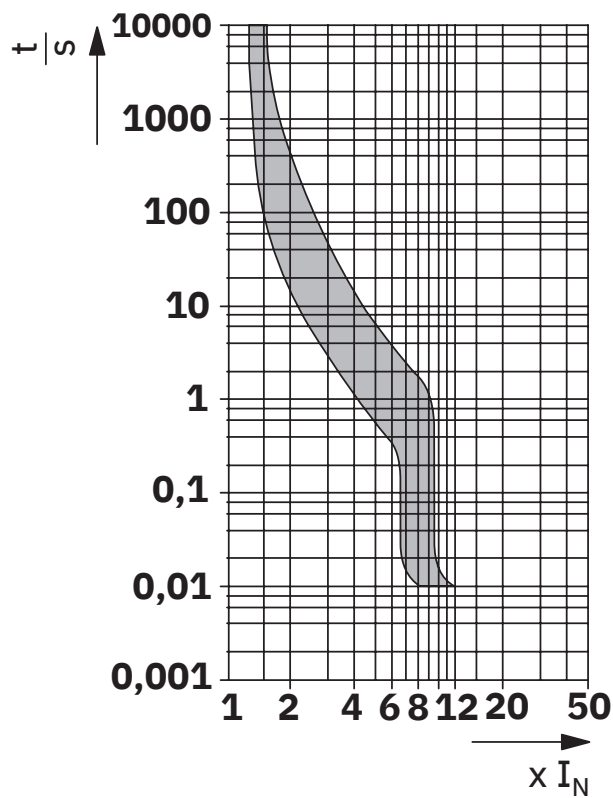
2907588

<https://www.phoenixcontact.com/us/products/2907588>

Drawings



Diagram



TMC 82C 06A - Miniature Circuit Breaker



2907588

<https://www.phoenixcontact.com/us/products/2907588>

Approvals

To download certificates, visit the product detail page: <https://www.phoenixcontact.com/us/products/2907588>



UL Listed

Approval ID: FILE E 320373



cUL Listed

Approval ID: FILE E 320373



TÜV Rheinland

Approval ID: R 50531587



CCC

Approval ID: 2024010307673885

TMC 82C 06A - Miniature Circuit Breaker



2907588

<https://www.phoenixcontact.com/us/products/2907588>

Classifications

ECLASS

| | |
|-------------|----------|
| ECLASS-13.0 | 27140401 |
| ECLASS-15.0 | 27140401 |

ETIM

| | |
|-----------|----------|
| ETIM 10.0 | EC003538 |
|-----------|----------|

UNSPSC

| | |
|-------------|----------|
| UNSPSC 21.0 | 39121410 |
|-------------|----------|

TMC 82C 06A - Miniature Circuit Breaker



2907588

<https://www.phoenixcontact.com/us/products/2907588>

Environmental product compliance

EU RoHS

| | |
|---|--------------------|
| Fulfills EU RoHS substance requirements | Yes, No exemptions |
|---|--------------------|

China RoHS

| | |
|--|--|
| Environment friendly use period (EFUP) | EFUP-E |
| | No hazardous substances above the limits |

EU REACH SVHC

| | |
|-------------------------------------|----------------------------|
| REACH candidate substance (CAS No.) | No substance above 0.1 wt% |
|-------------------------------------|----------------------------|

Phoenix Contact 2026 © - all rights reserved
<https://www.phoenixcontact.com>

Phoenix Contact USA
586 Fulling Mill Road
Middletown, PA 17057, United States
(+717) 944-1300
info@phoenixcon.com