

# UM 72-PROFIL 100CM - Profile

2907583

<https://www.phoenixcontact.com/us/products/2907583>

Please be informed that the data shown in this PDF document is generated from our online catalog. Please find the complete data in the user documentation. Our general terms of use for downloads are valid.

Press-drawn section housings, Latching with side elements, latching with foot element, Basic profile, open, profile width (internal): 71.9 mm, profile width (external): 86.8 mm, length: 1000 mm, depth: 21.5 mm, Note: required profile length = PCB length - 3.6 mm



The figure shows the variant UM 45-Profil CM

## Your advantages

- Easy installation
- Flexible size and shape
- Inexpensive as a result of reducing the number of separate housing parts

## Commercial data

Item number	2907583
Packing unit	1 pc
Minimum order quantity	1 pc
Sales key	AC13
Product key	ACHDBA
GTIN	4017918365394
Weight per piece (including packing)	400 g
Weight per piece (excluding packing)	400 g
Customs tariff number	39162000
Country of origin	DE

# UM 72-PROFIL 100CM - Profile

2907583

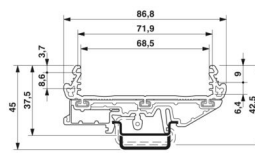
<https://www.phoenixcontact.com/us/products/2907583>

## Technical data

### Product properties

Product type	Component housing lower part
Housing type	Press-drawn section housings
Housing type	Extruded profile housings
Housing series	UM
Product family	UM72
Ventilation openings present	no

### Dimensions

Dimensional drawing	
Depth	21.5 mm
Length	1 m

### External dimensions

Profile width (external)	86.8 mm
--------------------------	---------

### Internal dimensions

Profile width (internal)	71.9 mm
--------------------------	---------

### Material specifications

Color (Profile)	green (RAL 6021)
Material Profile	PVC
Surface characteristics	untreated

### Environmental and real-life conditions

#### Ambient conditions

Ambient temperature (operation)	-15 °C ... 50 °C
---------------------------------	------------------

### PCB data

Number of PCB holders	2
-----------------------	---

### Mounting

Mounting type	Latching with side elements, latching with foot element
---------------	---

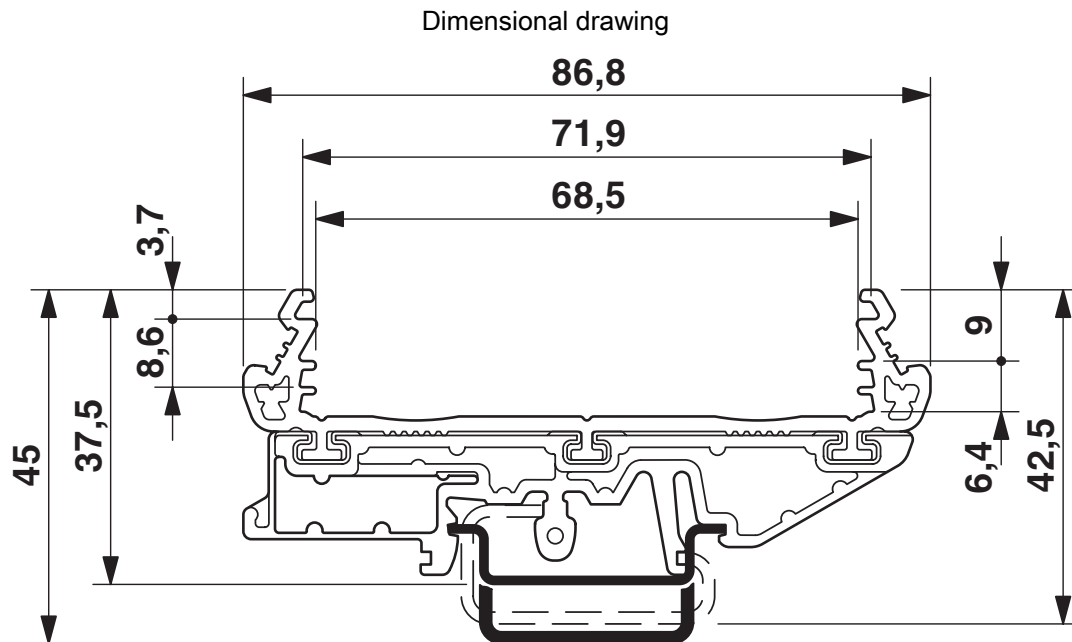
# UM 72-PROFIL 100CM - Profile

2907583

<https://www.phoenixcontact.com/us/products/2907583>



## Drawings



# UM 72-PROFIL 100CM - Profile



2907583

<https://www.phoenixcontact.com/us/products/2907583>

## Classifications

### ECLASS

ECLASS-13.0	27190601
ECLASS-15.0	27190601

### ETIM

ETIM 10.0	EC002779
-----------	----------

### UNSPSC

UNSPSC 21.0	31261500
-------------	----------

# UM 72-PROFIL 100CM - Profile



2907583

<https://www.phoenixcontact.com/us/products/2907583>

## Environmental product compliance

### EU RoHS

Fulfills EU RoHS substance requirements	Yes, No exemptions
---	--------------------

### China RoHS

Environment friendly use period (EFUP)	EFUP-E
	No hazardous substances above the limits

### EU REACH SVHC

REACH candidate substance (CAS No.)	No substance above 0.1 wt%
-------------------------------------	----------------------------

Phoenix Contact 2026 © - all rights reserved  
<https://www.phoenixcontact.com>

Phoenix Contact USA  
586 Fulling Mill Road  
Middletown, PA 17057, United States  
(+717) 944-1300  
[info@phoenixcon.com](mailto:info@phoenixcon.com)