

# EMG100-LG/O - Electronics housing



2907567

<https://www.phoenixcontact.com/us/products/2907567>

Please be informed that the data shown in this PDF document is generated from our online catalog. Please find the complete data in the user documentation. Our general terms of use for downloads are valid.



Electronic housing, for PCB insertion, without screw connection terminal blocks and cover, with open terminal space

## Commercial data

Item number	2907567
Packing unit	5 pc
Minimum order quantity	5 pc
Note	Made to order (non-returnable)
Sales key	AC11
Product key	ACHCBA
GTIN	4017918131579
Weight per piece (including packing)	78.16 g
Weight per piece (excluding packing)	78.16 g
Customs tariff number	85472000
Country of origin	DE

# EMG100-LG/O - Electronics housing

2907567

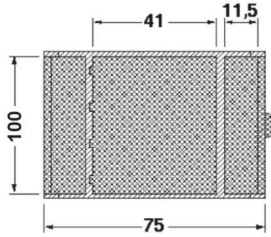
<https://www.phoenixcontact.com/us/products/2907567>

## Technical data

### Product properties

Product type	Complete housing
Housing type	Component housing
Product family	EMG...-LG
Type	Lower part of housing, removable cover optional

### Dimensions

Dimensional drawing	
Width	100 mm
Installed height	47.5 mm
Height NS 35/7,5	55 mm 83 mm 100 mm
Depth	75 mm
Length	75 mm

### Material specifications

Color	green
Flammability rating according to UL 94	V0
Housing material	Polycarbonate fiber reinforced

### Environmental and real-life conditions

#### Ambient conditions

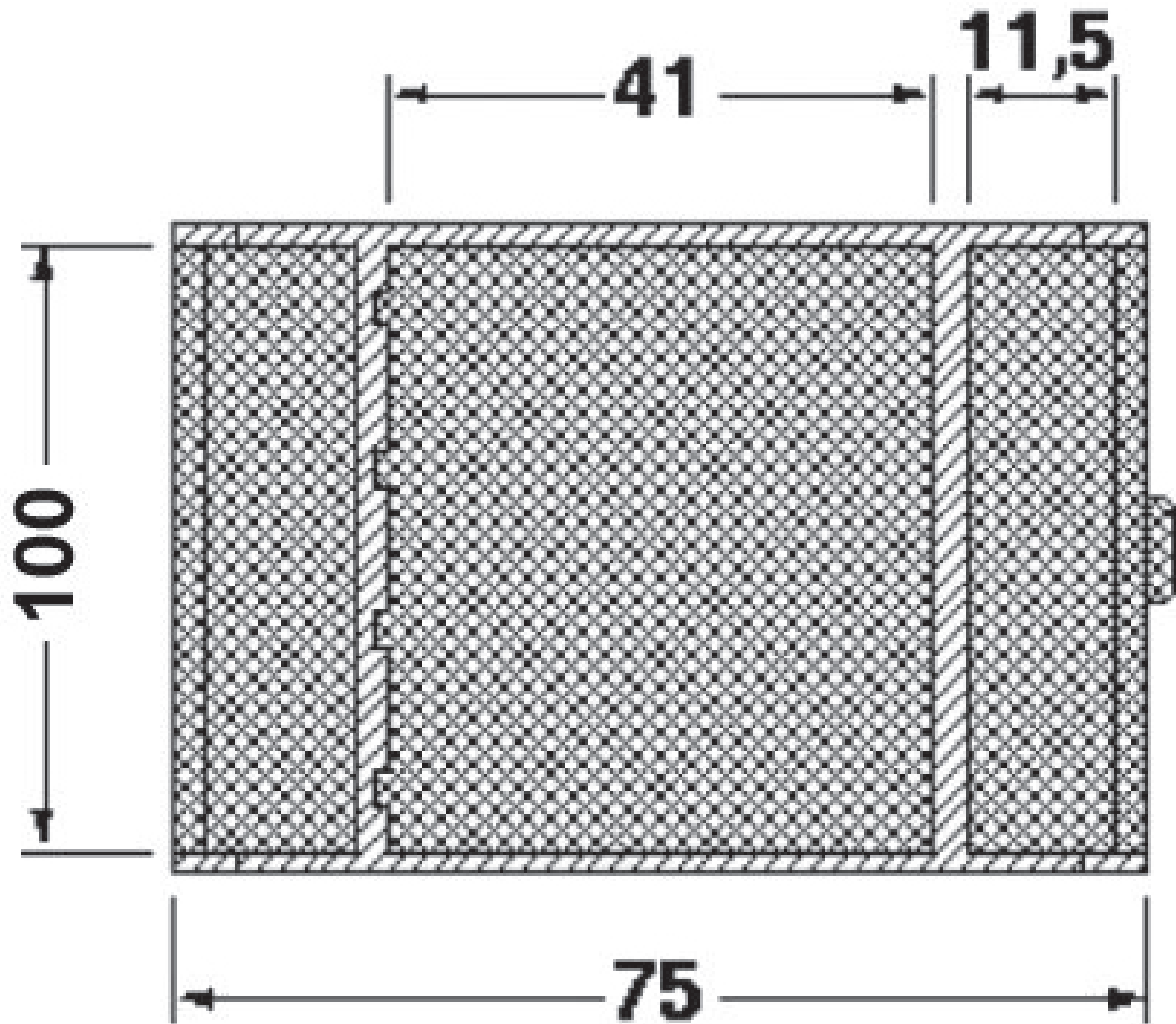
Ambient temperature (operation)	-40 °C ... 125 °C
---------------------------------	-------------------

### Mounting

Mounting type	DIN rail mounting
---------------	-------------------

Drawings

Dimensional drawing



# EMG100-LG/O - Electronics housing

2907567

<https://www.phoenixcontact.com/us/products/2907567>



Dimensional drawing



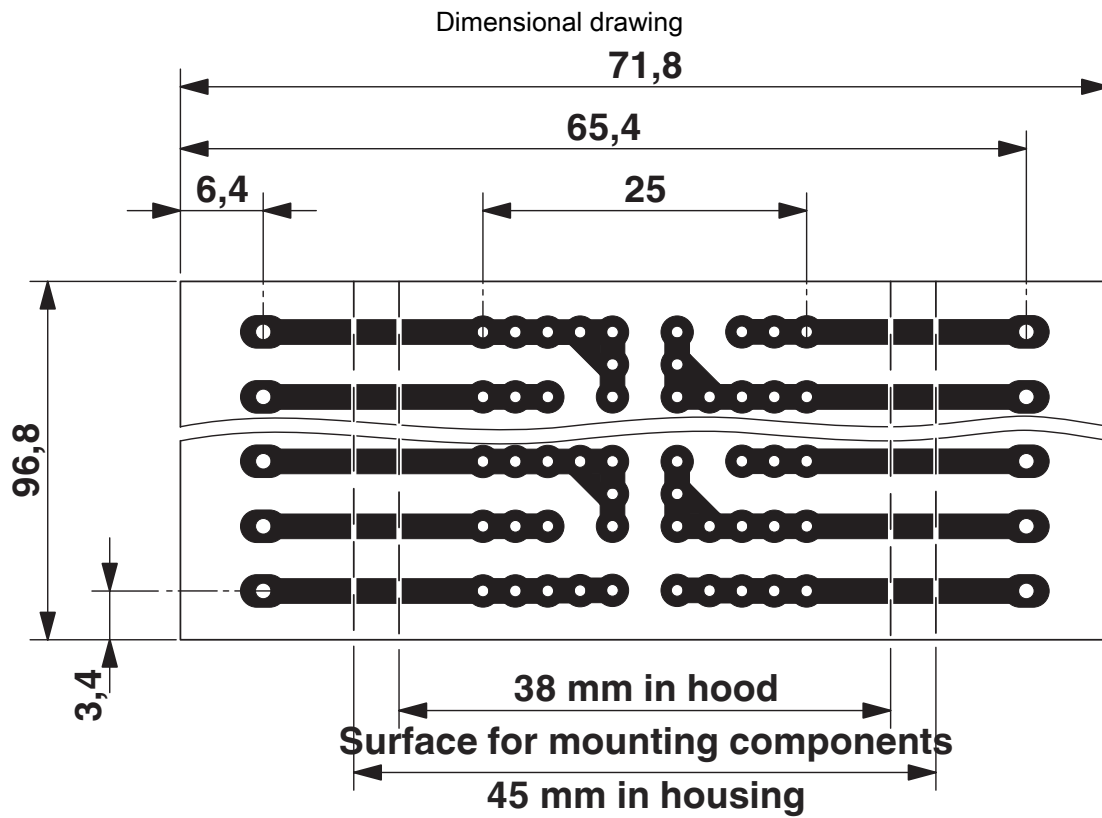
1 = Top edge of the PCB

B = Housing width

# EMG100-LG/O - Electronics housing

2907567

<https://www.phoenixcontact.com/us/products/2907567>



# EMG100-LG/O - Electronics housing



2907567

<https://www.phoenixcontact.com/us/products/2907567>

## Environmental product compliance

### EU RoHS

Fulfills EU RoHS substance requirements	Yes, No exemptions
---	--------------------

### China RoHS

Environment friendly use period (EFUP)	EFUP-E
	No hazardous substances above the limits

### EU REACH SVHC

REACH candidate substance (CAS No.)	No substance above 0.1 wt%
-------------------------------------	----------------------------

Phoenix Contact 2026 © - all rights reserved  
<https://www.phoenixcontact.com>

Phoenix Contact USA  
586 Fulling Mill Road  
Middletown, PA 17057, United States  
(+717) 944-1300  
[info@phoenixcon.com](mailto:info@phoenixcon.com)