

# FLT-SEC-P-T1-1S-264/50-FM - Type 1+2 combined lightning current and surge arrester



2907388

<https://www.phoenixcontact.com/us/products/2907388>

Please be informed that the data shown in this PDF document is generated from our online catalog. Please find the complete data in the user documentation. Our general terms of use for downloads are valid.



Plug-in lightning arrester free of leakage current, in accordance with Type 1/Class I, for 1-phase power supply networks, with separate N and PE (L1, PE, N).

## Your advantages

- Surge protection family for universal use with optimum energy coordination from the lightning current arrester to the device protection
- Easy to maintain due to consistently pluggable protection modules
- Excellent level of information provided by mechanical/visual status indicator and remote indication contact
- Optimum protective effect in the event of high-energy lightning currents, thanks to spark gap technology with low residual voltage characteristic
- Compact design even for 1-phase applications of lightning protection level I due to the high discharge capacity in a small amount of space

## Commercial data

Item number	2907388
Packing unit	1 pc
Minimum order quantity	1 pc
Sales key	NULL
Product key	CL1173
GTIN	4055626196985
Weight per piece (including packing)	762.4 g
Weight per piece (excluding packing)	762.4 g
Customs tariff number	85363010
Country of origin	TR

# FLT-SEC-P-T1-1S-264/50-FM - Type 1+2 combined lightning current and surge arrester



2907388

<https://www.phoenixcontact.com/us/products/2907388>

## Technical data

### Product properties

Product type	Combination type
Product family	SEC Family
IEC test classification	I / II T1 / T2
EN type	T1 / T2
IEC power supply system	TN-S TT
Type	DIN rail module, two-section, divisible
Number of positions	2
Surge protection fault message	Optical, remote indicator contact
Number of ports	One

### Insulation characteristics

Overvoltage category	III
Pollution degree	2

### Electrical properties

#### Indicator/remote signaling

Connection name	Remote fault indicator contact
Switching function	Changeover contact
Operating voltage	12 V AC ... 250 V AC 125 V DC (200 mA DC)
Operating current	10 mA AC ... 1 A AC 1 A DC (30 V DC)

### Connection data

Connection method	Screw connection
Screw thread	M5
Tightening torque	4.5 Nm
Stripping length	18 mm
Conductor cross-section flexible	2.5 mm <sup>2</sup> ... 35 mm <sup>2</sup>
Conductor cross-section rigid	2.5 mm <sup>2</sup> ... 35 mm <sup>2</sup>
Conductor cross-section AWG	13 ... 2
Connection method	Fork-type cable lug
Conductor cross-section flexible	1.5 mm <sup>2</sup> ... 16 mm <sup>2</sup>

#### Remote fault indicator contact

Connection method	Plug-in/screw connection via COMBICON
Screw thread	M2

# FLT-SEC-P-T1-1S-264/50-FM - Type 1+2 combined lightning current and surge arrester

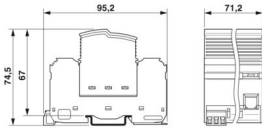


2907388

<https://www.phoenixcontact.com/us/products/2907388>

Tightening torque	0.25 Nm
Stripping length	7 mm
Conductor cross-section flexible	0.14 mm <sup>2</sup> ... 1.5 mm <sup>2</sup>
Conductor cross-section rigid	0.14 mm <sup>2</sup> ... 1.5 mm <sup>2</sup>
Conductor cross-section AWG	28 ... 16

## Dimensions

Dimensional drawing	
Width	71.2 mm
Height	95.2 mm
Depth	74.5 mm
Horizontal pitch	4 Div.

## Material specifications

Color (Male connector)	light gray (RAL 7035)
Color (Base element)	gray (RAL 7042)
Flammability rating according to UL 94	V-0
CTI value of material	600
Insulating material	PA6.6-FR 20% GF PBT-FR
Material group	I
Housing material	PA 6.6-FR 20 % GF PBT-FR

## Mechanical properties

### Mechanical data

Open side panel	No
-----------------	----

## Protective circuit

Mode of protection	L-N
	L-PE
	N-PE
Direction of action	1L-N & N-PE
Nominal voltage $U_N$	240 V AC (TN-S)
	240 V AC (TT)
Maximum continuous operating voltage $U_C$ (L-N)	264 V AC
Maximum continuous operating voltage $U_C$ (L-PE)	264 V AC
Maximum continuous operating voltage $U_C$ (N-PE)	350 V AC

# FLT-SEC-P-T1-1S-264/50-FM - Type 1+2 combined lightning current and surge arrester



2907388

<https://www.phoenixcontact.com/us/products/2907388>

Rated load current $I_L$	125 A (< 55 °C)
Protective conductor current $I_{PE}$	≤ 0.01 mA
Nominal discharge current $I_n$ (8/20) μs (L-N)	50 kA
Nominal discharge current $I_n$ (8/20) μs (L-PE)	50 kA
Nominal discharge current $I_n$ (8/20) μs (N-PE)	100 kA
Maximum discharge current $I_{max}$ (8/20) μs	100 kA
Impulse discharge current (10/350) μs (L-N), charge	25 As
Impulse discharge current (10/350) μs (L-N), specific energy	625 kJ/Ω
Impulse discharge current (10/350) μs (L-N), peak current value $I_{imp}$	50 kA
Impulse discharge current (10/350) μs (L-PE), charge	25 As
Impulse discharge current (10/350) μs (L-PE), specific energy	625 kJ/Ω
Impulse discharge current (10/350) μs (L-PE), peak current value $I_{imp}$	50 kA
Impulse discharge current (10/350) μs (N-PE), charge	50 As
Impulse discharge current (10/350) μs (N-PE), specific energy	2500 kJ/Ω
Impulse discharge current (10/350) μs (N-PE), peak current value $I_{imp}$	100 kA
Follow current quenching capacity $I_{fi}$ (L-N)	50 kA
Follow current interrupt rating $I_{fi}$ (N-PE)	100 A
Short-circuit current rating $I_{SCCR}$	50 kA
Voltage protection level $U_p$ (L-N)	≤ 2.5 kV
Voltage protection level $U_p$ (L-PE)	≤ 3 kV
Voltage protection level $U_p$ (N-PE)	≤ 1.5 kV
Residual voltage $U_{res}$ (L-N)	≤ 2.5 kV (at $I_n$ )
Residual voltage $U_{res}$ (L-PE)	≤ 3 kV (at $I_n$ )
Residual voltage $U_{res}$ (N-PE)	≤ 1.5 kV (at $I_n$ )
TOV behavior at $U_T$ (L-N)	415 V AC (5 s / withstand mode) 760 V AC (120 min / withstand mode)
TOV behavior at $U_T$ (N-PE)	1200 V AC (200 ms / withstand mode)
Response time $t_A$	≤ 100 ns
Max. backup fuse with V-type through wiring	125 A (gG)
Max. backup fuse with branch wiring	500 A (gG)

## Environmental and real-life conditions

### Ambient conditions

Degree of protection	IP20 (only when all terminal points are used)
Ambient temperature (operation)	-40 °C ... 80 °C
Ambient temperature (storage/transport)	-40 °C ... 80 °C
Altitude	≤ 2000 m (amsl)
Permissible humidity (operation)	5 % ... 95 %
Shock (operation)	30g (Half-sine / 11 ms / 3x ±X, ±Y, ±Z)
Vibration (operation)	5g (5 - 500 Hz/2.5 h/X, Y, Z)

# FLT-SEC-P-T1-1S-264/50-FM - Type 1+2 combined lightning current and surge arrester



2907388

<https://www.phoenixcontact.com/us/products/2907388>

## Approvals

### UL specifications

Maximum continuous operating voltage MCOV (L-N)	264 V AC
Maximum continuous operating voltage MCOV (L-G)	264 V AC
Maximum continuous operating voltage MCOV (N-G)	350 V AC
Short-circuit current rating (SCCR)	50 kA
Voltage protection rating VPR (L-N)	1500 V
Voltage protection rating VPR (L-G)	1800 V
Voltage protection rating VPR (N-G)	1200 V
Nominal discharge current $I_n$	20 kA
Mode of protection	L-N L-G N-G
Nominal voltage	240 V AC
Rated load current $I_L$	50 A
Power distribution system	Single phase
Nominal frequency	50/60 Hz
SPD Type	2CA

### UL indicator/remote signaling

Operating voltage	125 V AC
AC operating current	1 A AC

### UL connection data

Tightening torque	40 lb <sub>F</sub> -in.
Conductor cross-section AWG	3 ... 2

## Standards and regulations

Standards/specifications	IEC 61643-11
Note	2011

### EN 61643-11

Standards/specifications	EN 61643-11
Note	2012

## Mounting

Mounting type	DIN rail: 35 mm
---------------	-----------------

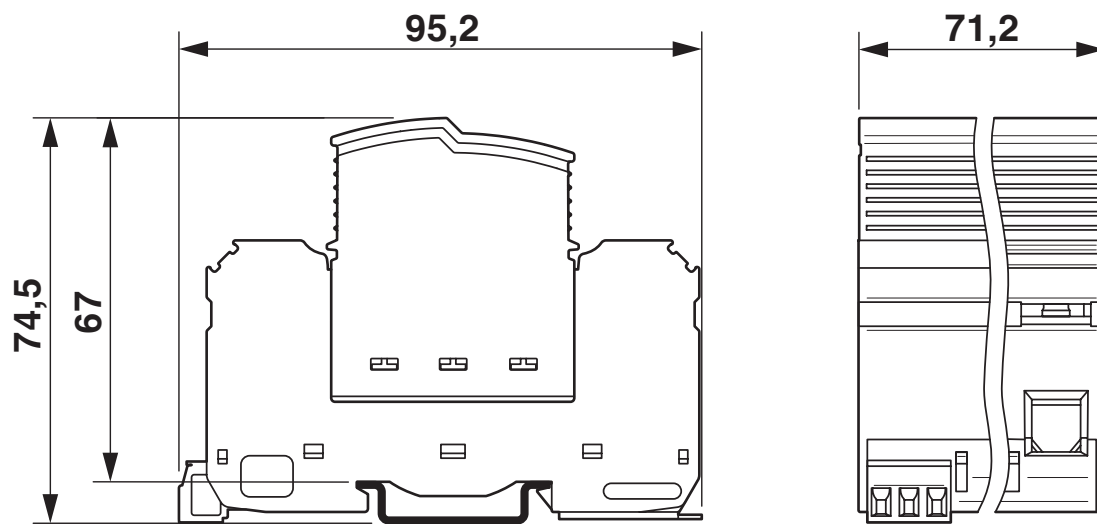
# FLT-SEC-P-T1-1S-264/50-FM - Type 1+2 combined lightning current and surge arrester

2907388

<https://www.phoenixcontact.com/us/products/2907388>

## Drawings

Dimensional drawing



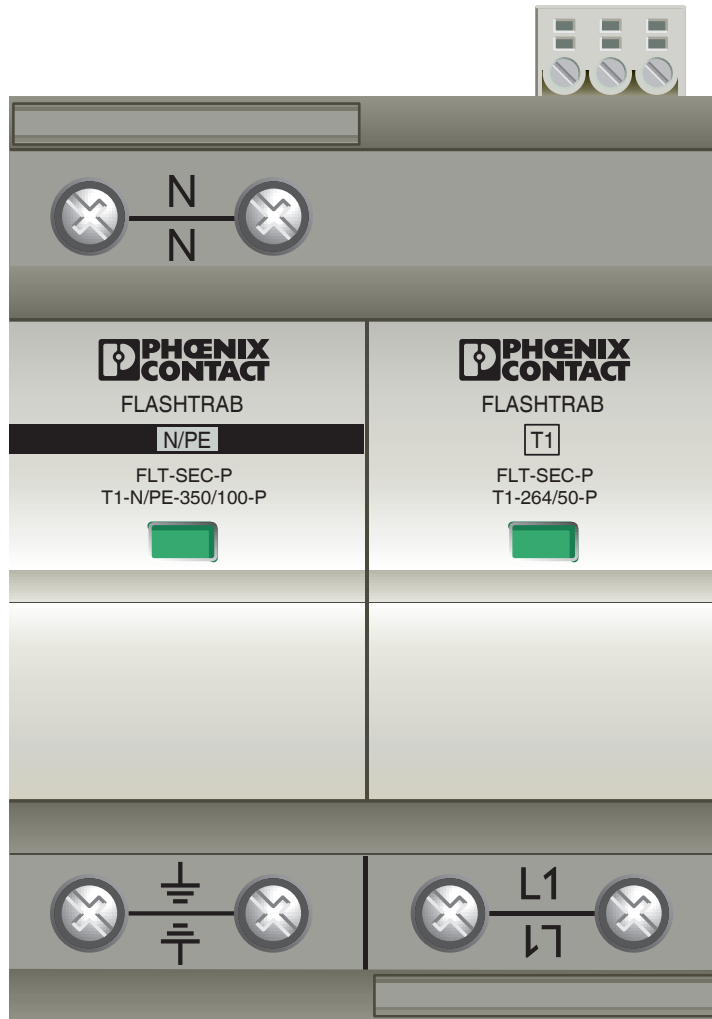
# FLT-SEC-P-T1-1S-264/50-FM - Type 1+2 combined lightning current and surge arrester



2907388

<https://www.phoenixcontact.com/us/products/2907388>

Product drawing



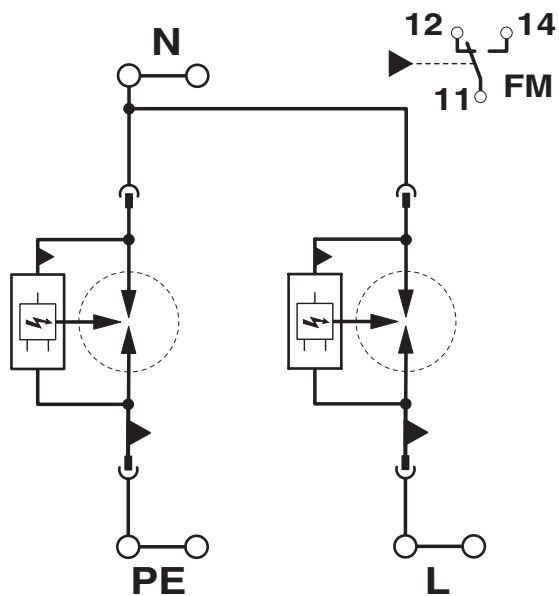
# FLT-SEC-P-T1-1S-264/50-FM - Type 1+2 combined lightning current and surge arrester



2907388

<https://www.phoenixcontact.com/us/products/2907388>

Circuit diagram



# FLT-SEC-P-T1-1S-264/50-FM - Type 1+2 combined lightning current and surge arrester



2907388

<https://www.phoenixcontact.com/us/products/2907388>

## Approvals

To download certificates, visit the product detail page: <https://www.phoenixcontact.com/us/products/2907388>



**cUL Recognized**  
Approval ID: FILE E 330181



**UL Recognized**  
Approval ID: FILE E 330181

# FLT-SEC-P-T1-1S-264/50-FM - Type 1+2 combined lightning current and surge arrester



2907388

<https://www.phoenixcontact.com/us/products/2907388>

## Classifications

### ECLASS

ECLASS-13.0	27171201
ECLASS-15.0	27171201

### ETIM

ETIM 10.0	EC000381
-----------	----------

### UNSPSC

UNSPSC 21.0	39121600
-------------	----------

# FLT-SEC-P-T1-1S-264/50-FM - Type 1+2 combined lightning current and surge arrester



2907388

<https://www.phoenixcontact.com/us/products/2907388>

## Environmental product compliance

### EU RoHS

Fulfills EU RoHS substance requirements	Yes
Exemption	6(c)

### China RoHS

Environment friendly use period (EFUP)	EFUP-50
	An article-related China RoHS declaration table can be found in the download area for the respective article under "Manufacturer declaration". For all articles with EFUP-E, no China RoHS declaration table issued and required.

### EU REACH SVHC

REACH candidate substance (CAS No.)	Lead(CAS: 7439-92-1)
SCIP	bd36ba96-e4e2-407c-8c4d-bf43103e6470

Phoenix Contact 2026 © - all rights reserved  
<https://www.phoenixcontact.com>

Phoenix Contact USA  
586 Fulling Mill Road  
Middletown, PA 17057, United States  
(+717) 944-1300  
[info@phoenixcon.com](mailto:info@phoenixcon.com)