

EG 45-AG/ABS GN - Upper housing part

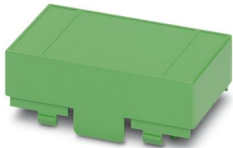


2907363

<https://www.phoenixcontact.com/us/products/2907363>

Please be informed that the data shown in this PDF document is generated from our online catalog. Please find the complete data in the user documentation. Our general terms of use for downloads are valid.

Component housing, Cover, closed, width: 45 mm, height: 75 mm, color: green (similar RAL 6021)



Your advantages

- Tool-free mounting

Commercial data

Item number	2907363
Packing unit	20 pc
Minimum order quantity	20 pc
Sales key	AC11
Product key	ACHCGA
GTIN	4017918131470
Weight per piece (including packing)	17.78 g
Weight per piece (excluding packing)	14.57 g
Customs tariff number	85389099
Country of origin	PL

EG 45-AG/ABS GN - Upper housing part

2907363

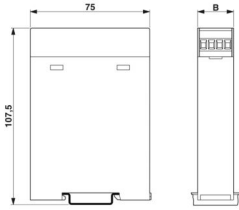
<https://www.phoenixcontact.com/us/products/2907363>

Technical data

Product properties

Product type	Upper housing part
Housing type	Component housing
Housing series	EG
Product family	EG...A
Number of positions	16
Number (Connection openings)	0
Ventilation openings present	no

Dimensions

Dimensional drawing	
Width	45 mm
Height	75 mm

PCB design

PCB thickness	1.4 mm ... 1.8 mm
---------------	-------------------

Material specifications

Color (Upper housing part)	green (RAL 6021)
Material Upper housing part	ABS
Flammability rating according to UL 94	HB

Environmental and real-life conditions

Ambient conditions

Max. IP code to attain	IP20
Ambient temperature (operation)	-40 °C ... 80 °C (depending on power dissipation)
Ambient temperature (storage/transport)	-40 °C ... 55 °C
Ambient temperature (assembly)	-5 °C ... 80 °C

PCB data

Thickness of the PCB	1.4 mm ... 1.8 mm
----------------------	-------------------

Mounting

Mounting type	Snap in
---------------	---------

EG 45-AG/ABS GN - Upper housing part

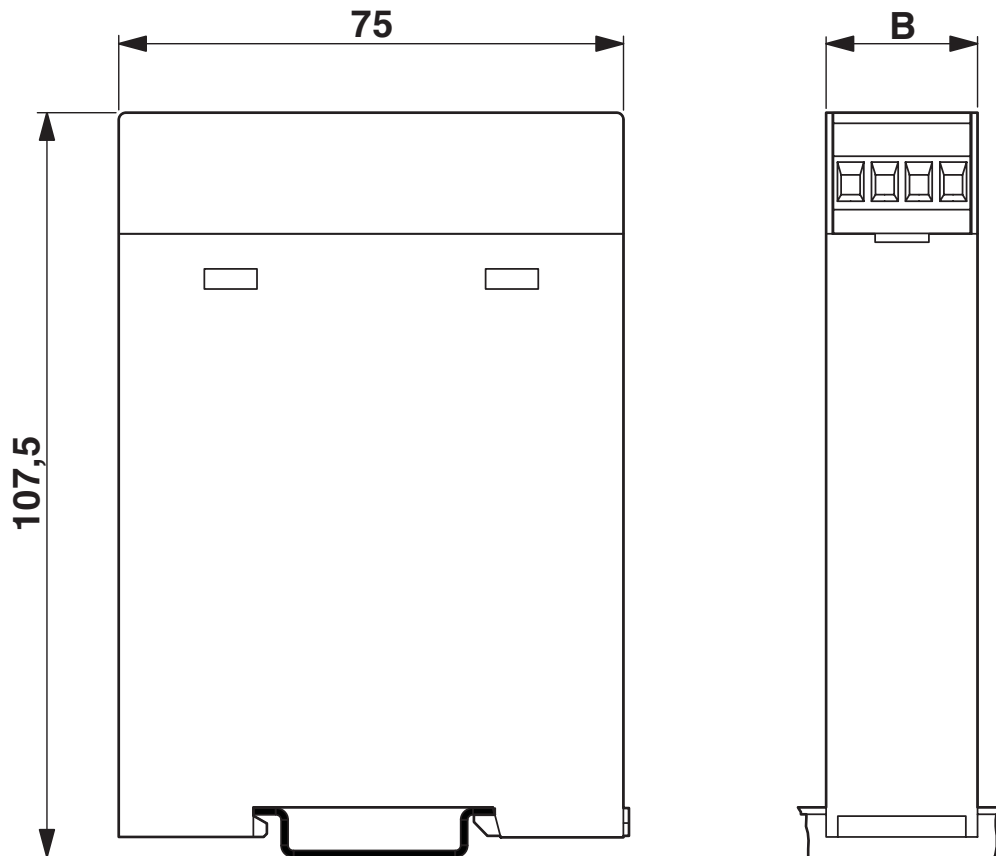
2907363

<https://www.phoenixcontact.com/us/products/2907363>



Drawings

Dimensional drawing



EG 45-AG/ABS GN - Upper housing part



2907363

<https://www.phoenixcontact.com/us/products/2907363>

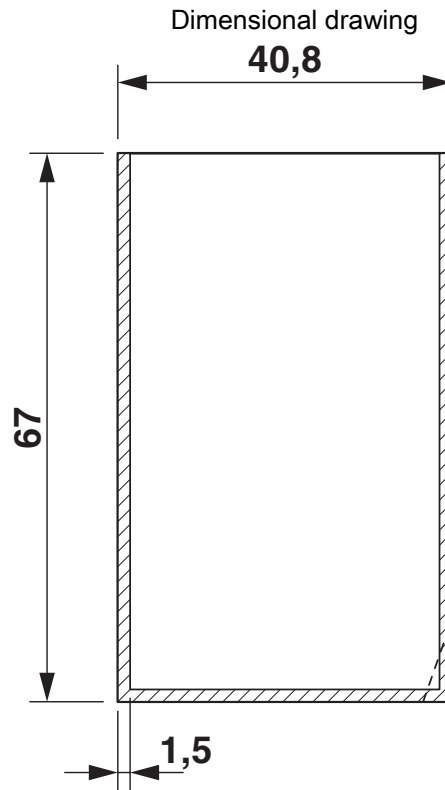


Component mounting side, if the double-level upper part is used

EG 45-AG/ABS GN - Upper housing part

2907363

<https://www.phoenixcontact.com/us/products/2907363>



valid for PCB 1; 3; 5 and 6, see explosion drawing

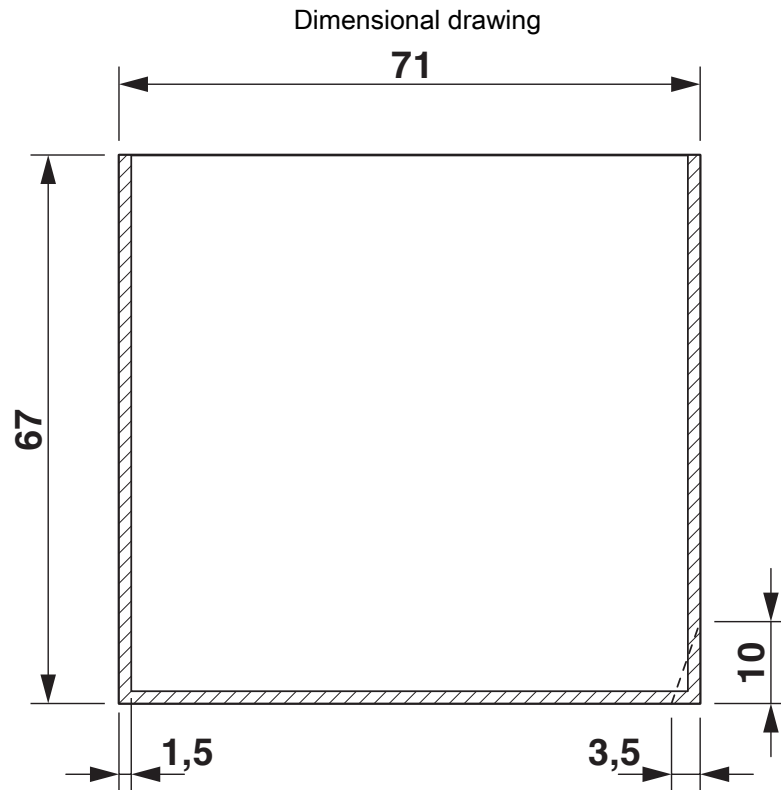


valid for PCB 7 and 12, see explosion drawing

EG 45-AG/ABS GN - Upper housing part

2907363

<https://www.phoenixcontact.com/us/products/2907363>



valid for PCB 10, see explosion drawing

EG 45-AG/ABS GN - Upper housing part

2907363

<https://www.phoenixcontact.com/us/products/2907363>



valid for PCB 13

EG 45-AG/ABS GN - Upper housing part

2907363

<https://www.phoenixcontact.com/us/products/2907363>



valid for PCB 14

EG 45-AG/ABS GN - Upper housing part



2907363

<https://www.phoenixcontact.com/us/products/2907363>

Approvals

To download certificates, visit the product detail page: <https://www.phoenixcontact.com/us/products/2907363>



UL Recognized

Approval ID: E240868

EG 45-AG/ABS GN - Upper housing part



2907363

<https://www.phoenixcontact.com/us/products/2907363>

Classifications

ECLASS

ECLASS-13.0	27190603
ECLASS-15.0	27190603

ETIM

ETIM 10.0	EC002779
-----------	----------

UNSPSC

UNSPSC 21.0	31261500
-------------	----------

EG 45-AG/ABS GN - Upper housing part



2907363

<https://www.phoenixcontact.com/us/products/2907363>

Environmental product compliance

EU RoHS

Fulfills EU RoHS substance requirements	Yes, No exemptions
---	--------------------

China RoHS

Environment friendly use period (EFUP)	EFUP-E
	No hazardous substances above the limits

EU REACH SVHC

REACH candidate substance (CAS No.)	No substance above 0.1 wt%
-------------------------------------	----------------------------

Phoenix Contact 2026 © - all rights reserved
<https://www.phoenixcontact.com>

Phoenix Contact USA
586 Fulling Mill Road
Middletown, PA 17057, United States
(+717) 944-1300
info@phoenixcon.com