

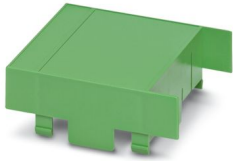
EG 67,5-AE/ABS GN - Electronics housing

2907347

<https://www.phoenixcontact.com/us/products/2907347>

Please be informed that the data shown in this PDF document is generated from our online catalog. Please find the complete data in the user documentation. Our general terms of use for downloads are valid.

Housing cover, for connection on one side



The figure shows a fully mounted version of the electronic housing

Commercial data

Item number	2907347
Packing unit	10 pc
Sales key	AC11
Product key	ACHCGA
GTIN	4017918131456
Weight per piece (including packing)	16.24 g
Weight per piece (excluding packing)	15.74 g
Customs tariff number	85369010
Country of origin	DE

2907347

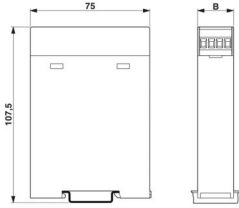
<https://www.phoenixcontact.com/us/products/2907347>

Technical data

Product properties

Product type	Upper housing part
Housing type	Component housing
Product family	EG..-A
Number of positions	26

Dimensions

Dimensional drawing	
Width	67.5 mm
Installed height	17.5 mm
Depth	75 mm
Length	75 mm

Material specifications

Color	green
Flammability rating according to UL 94	HB
Housing material	Acryl butadiene styrene (ABS)

Environmental and real-life conditions

Ambient conditions

Ambient temperature (operation)	80 °C
---------------------------------	-------

Mounting

Mounting type	Snap in
---------------	---------

EG 67,5-AE/ABS GN - Electronics housing

2907347

<https://www.phoenixcontact.com/us/products/2907347>



Drawings

Dimensional drawing



2907347

<https://www.phoenixcontact.com/us/products/2907347>

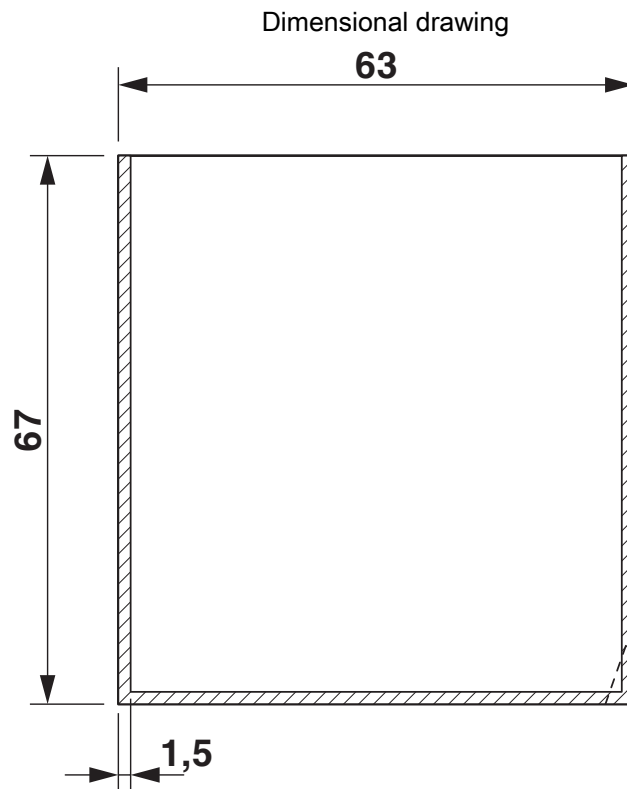


Component mounting side, if the double-level upper part is used

EG 67,5-AE/ABS GN - Electronics housing

2907347

<https://www.phoenixcontact.com/us/products/2907347>



valid for PCB 1; 2; 3; 4; 5 und 6, see explosion drawing



valid for PCB 7; 8; 11 and 12, see explosion drawing

EG 67,5-AE/ABS GN - Electronics housing

2907347

<https://www.phoenixcontact.com/us/products/2907347>



valid for PCB 9, see explosion drawing

EG 67,5-AE/ABS GN - Electronics housing

2907347

<https://www.phoenixcontact.com/us/products/2907347>



valid for PCB 13

EG 67,5-AE/ABS GN - Electronics housing

2907347

<https://www.phoenixcontact.com/us/products/2907347>



valid for PCB 14

2907347

<https://www.phoenixcontact.com/us/products/2907347>

Environmental product compliance

EU RoHS

Fulfills EU RoHS substance requirements	Yes, No exemptions
---	--------------------

China RoHS

Environment friendly use period (EFUP)	EFUP-E
	No hazardous substances above the limits

EU REACH SVHC

REACH candidate substance (CAS No.)	No substance above 0.1 wt%
-------------------------------------	----------------------------

Phoenix Contact 2026 © - all rights reserved
<https://www.phoenixcontact.com>

Phoenix Contact USA
586 Fulling Mill Road
Middletown, PA 17057, United States
(+717) 944-1300
info@phoenixcon.com