

EG 90-A/ABS GY - Electronics housing



2907321

<https://www.phoenixcontact.com/us/products/2907321>

Please be informed that the data shown in this PDF document is generated from our online catalog. Please find the complete data in the user documentation. Our general terms of use for downloads are valid.

Housing cover,for connection on both sides



The figure shows fully mounted versions of the electronic housing, in green

Commercial data

Item number	2907321
Packing unit	10 pc
Minimum order quantity	1 pc
Product key	ACHCGA
GTIN	4017918245047
Weight per piece (including packing)	23.17 g
Weight per piece (excluding packing)	16.67 g
Country of origin	DE

2907321

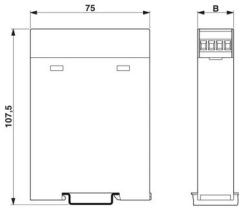
<https://www.phoenixcontact.com/us/products/2907321>

Technical data

Product properties

Housing type	Component housing
Number of positions	34

Dimensions

Dimensional drawing	
Width	90 mm
Installed height	17.5 mm
Length	75 mm

Material specifications

Color	gray
Flammability rating according to UL 94	HB

Environmental and real-life conditions

Ambient conditions

Ambient temperature (operation)	80 °C
---------------------------------	-------

EG 90-A/ABS GY - Electronics housing

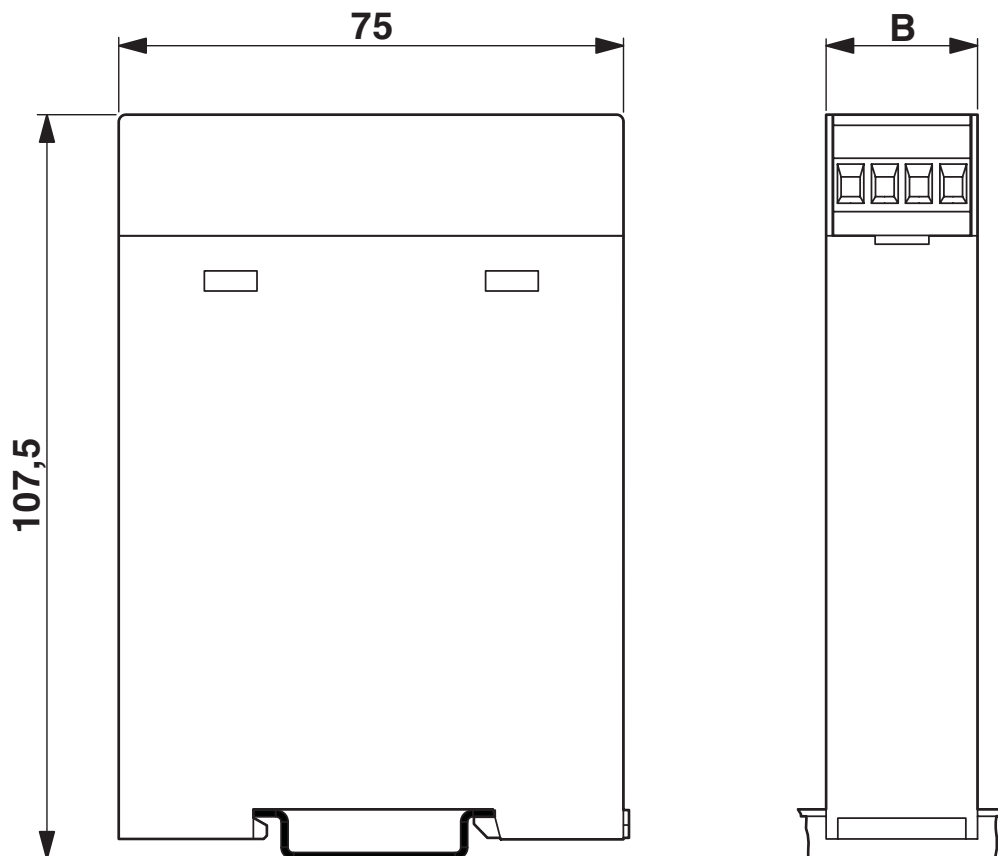
2907321

<https://www.phoenixcontact.com/us/products/2907321>



Drawings

Dimensional drawing





Component mounting side, if the double-level upper part is used

EG 90-A/ABS GY - Electronics housing

2907321

<https://www.phoenixcontact.com/us/products/2907321>



valid for PCB 1; 2; 3; 4; 5 und 6, see explosion drawing

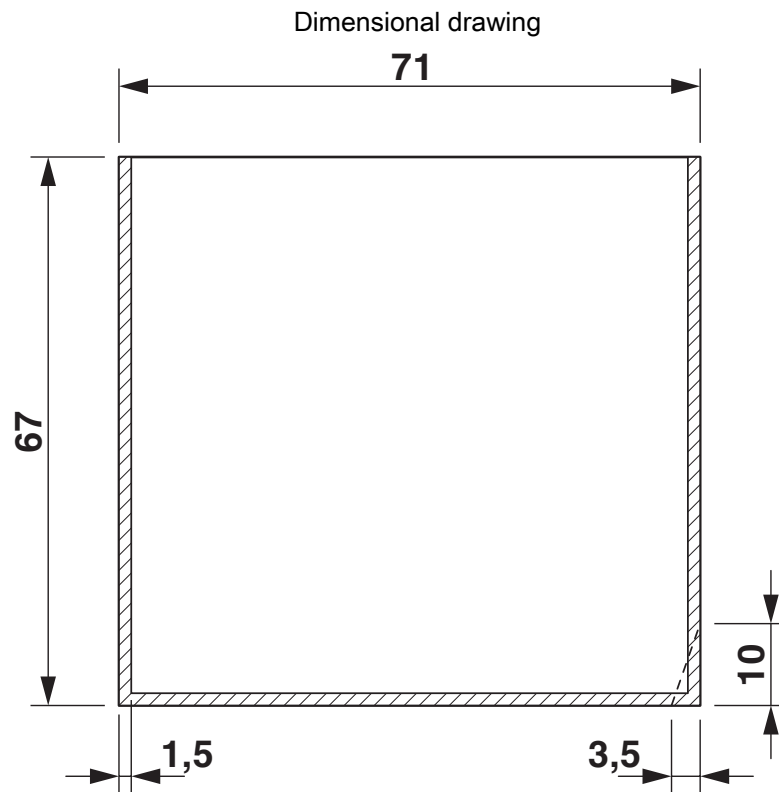


valid for PCB 7; 8; 11 and 12, see explosion drawing

EG 90-A/ABS GY - Electronics housing

2907321

<https://www.phoenixcontact.com/us/products/2907321>



valid for PCB 9 and 10, see explosion drawing

EG 90-A/ABS GY - Electronics housing

2907321

<https://www.phoenixcontact.com/us/products/2907321>

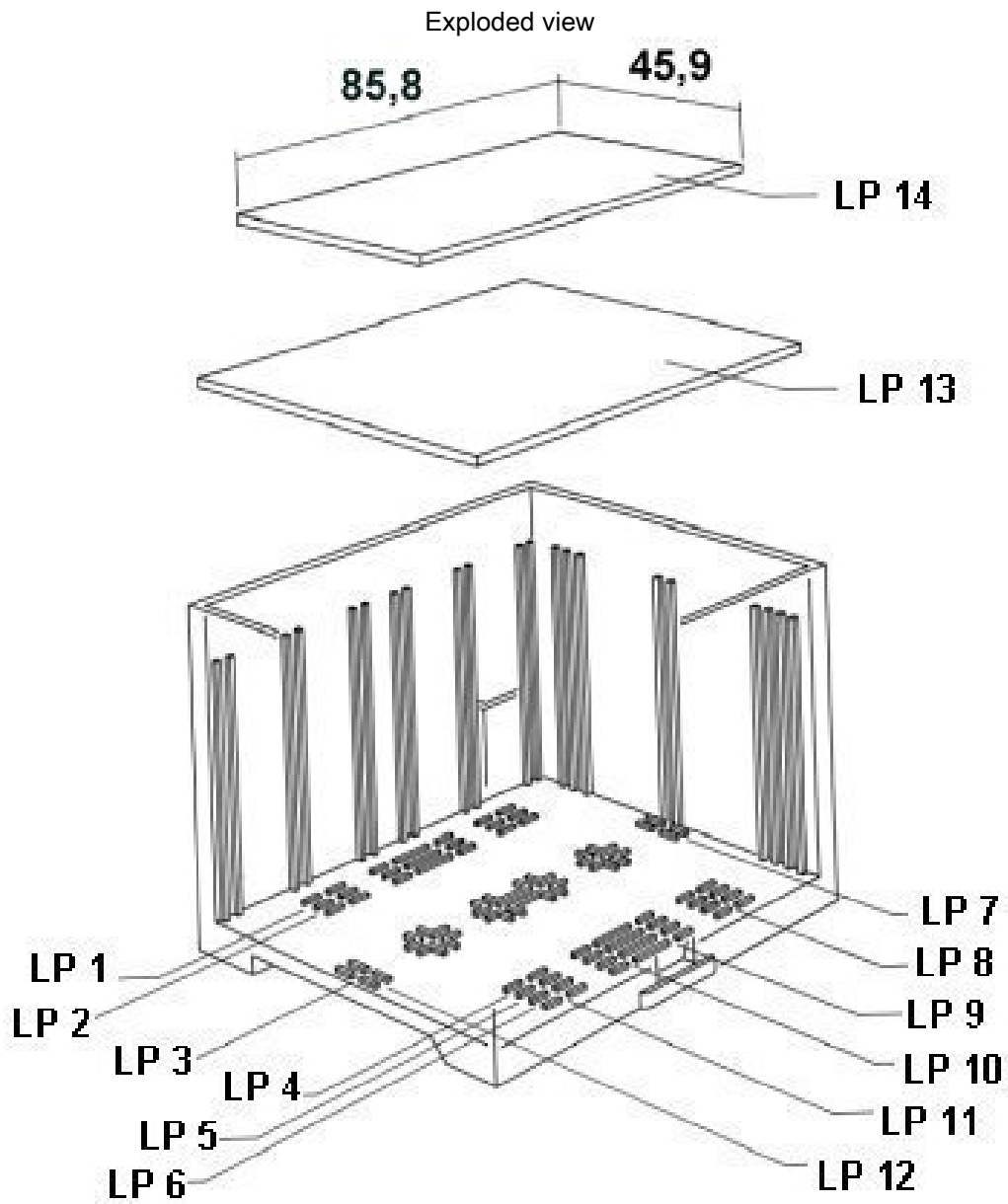


valid for PCB 13

EG 90-A/ABS GY - Electronics housing

2907321

<https://www.phoenixcontact.com/us/products/2907321>



valid for PCB 14

EG 90-A/ABS GY - Electronics housing



2907321

<https://www.phoenixcontact.com/us/products/2907321>

Environmental product compliance

EU RoHS

Fulfills EU RoHS substance requirements	Yes, No exemptions
---	--------------------

China RoHS

Environment friendly use period (EFUP)	EFUP-E
	No hazardous substances above the limits

EU REACH SVHC

REACH candidate substance (CAS No.)	No substance above 0.1 wt%
-------------------------------------	----------------------------

Phoenix Contact 2026 © - all rights reserved
<https://www.phoenixcontact.com>

Phoenix Contact USA
586 Fulling Mill Road
Middletown, PA 17057, United States
(+717) 944-1300
info@phoenixcon.com