

# FLT-SEC-H-T1-440/25-P - Type 1 surge protection plug



2907261

<https://www.phoenixcontact.com/us/products/2907261>

Please be informed that the data shown in this PDF document is generated from our online catalog. Please find the complete data in the user documentation. Our general terms of use for downloads are valid.

Replacement plug for lightning current arresters from the FLASHTRAB SEC HYBRID 440 product range, for L-N and L-PEN paths.



## Your advantages

- Surge protection family for universal use with optimum energy coordination from the lightning current arrester to the device protection
- Easy to maintain due to consistently pluggable protection modules
- Excellent level of information provided by mechanical/visual status indicator and remote indication contact
- Optimum protective effect in the event of high-energy lightning currents, thanks to spark gap technology with low residual voltage characteristic
- Integrated lightning-current-proof backup fuse for a low overall voltage protection level and space savings of up to 80% compared to an external backup fuse

## Commercial data

Item number	2907261
Packing unit	1 pc
Minimum order quantity	1 pc
Product key	CL1163
GTIN	4055626176444
Weight per piece (including packing)	398.4 g
Weight per piece (excluding packing)	397.1 g
Country of origin	TR

# FLT-SEC-H-T1-440/25-P - Type 1 surge protection plug



2907261

<https://www.phoenixcontact.com/us/products/2907261>

## Technical data

### Product properties

Product type	Replacement plug
Product family	SEC Family
IEC test classification	I / II T1 / T2
EN type	T1 / T2
IEC power supply system	TN IT
Type	Male
Number of positions	1
Surge protection fault message	optical

### Insulation characteristics

Overvoltage category	III
Pollution degree	2

### Electrical properties

Nominal frequency $f_N$	50 Hz (60 Hz)
-------------------------	---------------

### Connection data

Connection method	pluggable
-------------------	-----------

### Dimensions

Dimensional drawing	
Width	35.5 mm
Height	113.4 mm
Depth	64.2 mm
Horizontal pitch	2 Div.

### Material specifications

Color	light gray (RAL 7035) gray (RAL 7042)
Flammability rating according to UL 94	V-0
CTI value of material	600
Insulating material	PA 6.6-FR 20% GF PBT-FR
Material group	I
Housing material	PA 6.6-FR 20 % GF

# FLT-SEC-H-T1-440/25-P - Type 1 surge protection plug



2907261

<https://www.phoenixcontact.com/us/products/2907261>

	PBT-FR
--	--------

## Protective circuit

Mode of protection	L-N
	L-PE
	L-PEN
	N-PE (4+0)
Direction of action	L-N / L-PEN
Nominal voltage $U_N$	400 V AC (TN)
	400 V AC (IT)
Nominal frequency $f_N$	50 Hz (60 Hz)
Maximum continuous operating voltage $U_C$	440 V AC
Protective conductor current $I_{PE}$	$\leq 5 \mu A$
Nominal discharge current $I_n$ (8/20) $\mu s$	25 kA
Maximum discharge current $I_{max}$ (8/20) $\mu s$	50 kA
Impulse discharge current (10/350) $\mu s$ , charge	12.5 As
Impulse discharge current (10/350) $\mu s$ , specific energy	160 kJ/ $\Omega$
Impulse discharge current (10/350) $\mu s$ , peak value $I_{imp}$	25 kA
Follow current interrupt rating $I_{fi}$	50 kA
Short-circuit current rating $I_{SCCR}$	50 kA
Voltage protection level $U_p$	$\leq 2.5$ kV
Residual voltage $U_{res}$	$\leq 2.1$ kV (at $I_n$ )
	$\leq 2.8$ kV (at 50 kA)
	$\leq 1.7$ kV (at 12.5 kA)
	$\leq 1.5$ kV (at 5 kA)
	$\leq 1.35$ kV (at 2.5 kA)
Front-of-wave sparkover voltage at 6 kV (1.2/50) $\mu s$	$\leq 2.5$ kV
TOV behavior at $U_T$	580 V AC (5 s / withstand mode)
	760 V AC (120 min / withstand mode)
	1640 V AC (200 ms / safe failure mode)
Response time $t_A$	$\leq 100$ ns

## Environmental and real-life conditions

### Ambient conditions

Degree of protection	IP20
Ambient temperature (operation)	-40 °C ... 80 °C
Ambient temperature (storage/transport)	-40 °C ... 80 °C
Altitude	$\leq 2000$ m (amsl)
Permissible humidity (operation)	5 % ... 95 %

## Standards and regulations

Standards/specifications	IEC 61643-11
Note	2011

# FLT-SEC-H-T1-440/25-P - Type 1 surge protection plug



2907261

<https://www.phoenixcontact.com/us/products/2907261>

EN 61643-11

Standards/specifications	EN 61643-11
Note	2012

## Mounting

Mounting type	on base element
---------------	-----------------

# FLT-SEC-H-T1-440/25-P - Type 1 surge protection plug

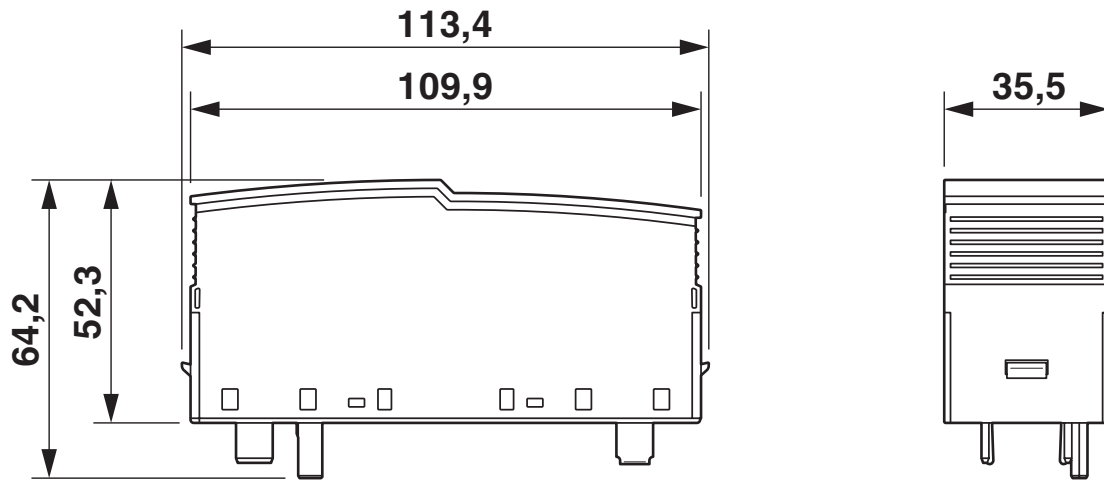


2907261

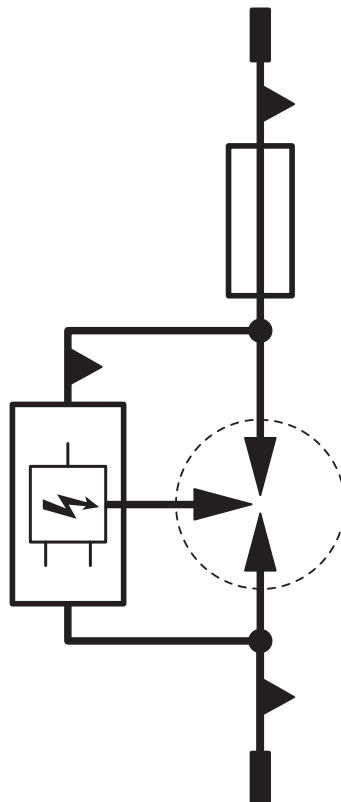
<https://www.phoenixcontact.com/us/products/2907261>

## Drawings

Dimensional drawing



Circuit diagram



# FLT-SEC-H-T1-440/25-P - Type 1 surge protection plug



2907261

<https://www.phoenixcontact.com/us/products/2907261>

## Approvals

To download certificates, visit the product detail page: <https://www.phoenixcontact.com/us/products/2907261>



**IECEE CB Scheme**

Approval ID: NL-41433

**CCA**

Approval ID: NTR-NL 7490



**KEMA-KEUR**

Approval ID: 2188437.01

# FLT-SEC-H-T1-440/25-P - Type 1 surge protection plug



2907261

<https://www.phoenixcontact.com/us/products/2907261>

## Classifications

### ECLASS

ECLASS-13.0	27171292
ECLASS-15.0	27171292

### ETIM

ETIM 10.0	EC002496
-----------	----------

### UNSPSC

UNSPSC 21.0	39121600
-------------	----------

# FLT-SEC-H-T1-440/25-P - Type 1 surge protection plug



2907261

<https://www.phoenixcontact.com/us/products/2907261>

## Environmental product compliance

### EU RoHS

Fulfills EU RoHS substance requirements	Yes
Exemption	6(c)

### China RoHS

Environment friendly use period (EFUP)	EFUP-E
	No hazardous substances above the limits

### EU REACH SVHC

REACH candidate substance (CAS No.)	N,N-dimethylacetamide(CAS: 127-19-5)
	Lead(CAS: 7439-92-1)
SCIP	3c5688be-6960-41a7-8aaa-aced1bf45206

Phoenix Contact 2026 © - all rights reserved  
<https://www.phoenixcontact.com>

Phoenix Contact USA  
586 Fulling Mill Road  
Middletown, PA 17057, United States  
(+717) 944-1300  
[info@phoenixcon.com](mailto:info@phoenixcon.com)