

TRIO-UPS-2G/1AC/24DC/5 - Uninterruptible power supply



2907160

<https://www.phoenixcontact.com/us/products/2907160>

Please be informed that the data shown in this PDF document is generated from our online catalog. Please find the complete data in the user documentation. Our general terms of use for downloads are valid.



TRIO DC UPS with integrated power supply, USB (Modbus/RTU), DIN rail mounting, Push-in connection, input: 1-phase, output: 24 V DC / 5 A

Product description

Supply DC loads reliably and save space with the TRIO uninterruptible power supplies. An input grid is no longer necessary for startup. Connected industrial PCs can be shut down easily via the integrated USB interface.

Your advantages

- Space saving: Combination of UPS module and power supply in the same housing
- Long buffer times, thanks to large selection of VRLA energy storage systems
- USB interface for connection to higher-level controllers such as industrial PCs
- Startup from the energy storage system possible, even without mains input
- Universal range of possible applications, thanks to a comprehensive package of approvals and an extended temperature range
- Easy installation, thanks to push-in connection technology

Commercial data

Item number	2907160
Packing unit	1 pc
Minimum order quantity	1 pc
Sales key	CM25
Product key	CMUO13
GTIN	4055626166575
Weight per piece (including packing)	944.9 g
Weight per piece (excluding packing)	944.9 g
Customs tariff number	85044095
Country of origin	CN

TRIO-UPS-2G/1AC/24DC/5 - Uninterruptible power supply



2907160

<https://www.phoenixcontact.com/us/products/2907160>

Technical data

Input data

Input voltage range	100 V AC ... 240 V AC -15 % ... +10 %
Voltage type of supply voltage	AC
Inrush current	< 16 A
Inrush current integral (I^2t)	< 0.43 A ² s
Frequency range (f_N)	50 Hz ... 60 Hz (± 10 %)
Mains buffering time	≥ 15 ms (120 V AC)
Switch-on time	typ. 60 ms
Typical current consumption	3.3 A (100 V AC)
Input fuse	6.3 A (slow-blow, internal)

Output data

Efficiency	typ. 85 % (120 V AC)
	typ. 87 % (230 V AC)
	typ. 96 % (Battery operation)
Derating	> 60 °C (2.5%/K of P_{Out} nom.)
Crest factor	2.7 (120 V AC)
	3.2 (230 V AC)
Switch-over time	< 75 ms
UPS connection in parallel	yes, with diode module uncoupled
UPS connection in series	no
Energy storage device connection in parallel	yes
Feedback voltage resistance	≤ 35 V DC
Protection against overvoltage at the output (OVP)	< 30 V DC
Residual ripple	< 20 mV
Control deviation	< 0.75 % (change in load, static 10 % ... 90 %)
	< 1.25 % (Dynamic load change 10 % ... 90 %, 10 Hz)
	< 0.1 % (change in input voltage ± 10 %)
Rise time	< 15 ms
Permissible backup fuse	B10

Mains operation

Output voltage	24 V DC
Output voltage range	24 V DC ... 28 V DC (> 24 V constant capacity)
Output current I_N	5 A
Dynamic BOOST ($I_{Dyn.Boost}$)	7.5 A
Output power P_{OUT} (U_N , $I_{OUT} = I_N$)	120 W
Maximum no-load power dissipation	< 3 W (230 V AC)
Power loss nominal load max.	< 19 W (230 V AC)

Battery operation

Output voltage	$U_{BAT} - 0.1$ V DC
----------------	----------------------

TRIO-UPS-2G/1AC/24DC/5 - Uninterruptible power supply



2907160

<https://www.phoenixcontact.com/us/products/2907160>

Output voltage range	18 V DC ... 30 V DC
Output current I_N	5 A
Dynamic BOOST ($I_{Dyn.Boost}$)	7.5 A

Energy storage

Nominal voltage U_N	24 V DC
End-of-charge voltage	max. 30 V DC
Charging current (Configurable)	0.2 A ... 1.5 A (-25 °C ... 40 °C)
Charging current (Reduced)	1.5 A ... 0 A (40 °C ... 65 °C)
Charging current (Preset)	1.2 A (-25 °C ... 40 °C)
Charging current (max.)	1.5 A
Nominal capacity range	1.2 Ah ... 12 Ah
Battery technology	VRLA-AGM
Charge characteristic curve	IU ₀ U

Connection data

Conductor connection

Connection method	Push-in connection
rigid	0.2 mm ² ... 4 mm ²
flexible	0.2 mm ² ... 2.5 mm ²
flexible with ferrule without plastic sleeve	0.25 mm ² ... 2.5 mm ²
flexible with ferrule with plastic sleeve	0.25 mm ² ... 1.5 mm ²
AWG	24 ... 12
Stripping length	10 mm

Conductor connection

Connection method	Push-in connection
rigid	0.2 mm ² ... 4 mm ²
flexible	0.2 mm ² ... 2.5 mm ²
flexible with ferrule without plastic sleeve	0.25 mm ² ... 2.5 mm ²
flexible with ferrule with plastic sleeve	0.25 mm ² ... 1.5 mm ²
AWG	24 ... 12
Stripping length	10 mm

Conductor connection

Connection method	Push-in connection
rigid	0.2 mm ² ... 1.5 mm ²
flexible	0.2 mm ² ... 1.5 mm ²
flexible with ferrule without plastic sleeve	0.2 mm ² ... 1.5 mm ²
flexible with ferrule with plastic sleeve	0.2 mm ² ... 0.75 mm ²
AWG	24 ... 16
Stripping length	8 mm

Conductor connection

Connection method	Push-in connection
-------------------	--------------------

TRIO-UPS-2G/1AC/24DC/5 - Uninterruptible power supply



2907160

<https://www.phoenixcontact.com/us/products/2907160>

rigid	0.2 mm ² ... 10 mm ²
flexible	0.2 mm ² ... 6 mm ²
flexible with ferrule without plastic sleeve	0.25 mm ² ... 6 mm ²
flexible with ferrule with plastic sleeve	0.25 mm ² ... 4 mm ²
AWG	24 ... 8
Stripping length	15 mm

Interfaces

Interface	USB (Modbus/RTU)
Number of interfaces	1
Connection method	MINI-USB Type B
Locking	Screw

Signaling

Signal input Remote

Connection labeling	3.5
Signalization designation	Remote
Low signal	Connection to SGnd with < 2.7 kΩ
High signal	Open (> 35 kΩ between Remote and SGnd)

Signal input Bat.-Start

Connection labeling	3.6
Signalization designation	Bat.-Start
Low signal	Connection to SGnd with < 2.7 kΩ
High signal	Open (> 200 kΩ between Bat.-Start and SGnd)

Signal output DC OK

Connection labeling	3.1
Signalization designation	DC OK
Type of signaling	Green LED
Switching output	Transistor output, active
Output voltage	24 V DC
Continuous load current	20 mA
LED status indicator	green

Signal output Alarm

Connection labeling	3.2
Signalization designation	Alarm
Type of signaling	LED red
Switching output	Transistor output, active
Output voltage	24 V DC
Continuous load current	20 mA
LED status indicator	red

Signal output Battery Mode

TRIO-UPS-2G/1AC/24DC/5 - Uninterruptible power supply



2907160

<https://www.phoenixcontact.com/us/products/2907160>

Connection labeling	3.3
Signalization designation	Battery mode
Type of signaling	Yellow LED
Switching output	Transistor output, active
Output voltage	24 V DC
Continuous load current	20 mA
LED status indicator	yellow

Signal output Ready

Connection labeling	3.4
Signalization designation	Ready
Switching output	Transistor output, active
Output voltage	24 V DC
Continuous load current	20 mA

Signal output 24V DC 20 mA, SGnd

Connection labeling	3.7
---------------------	-----

Electrical properties

Number of phases	1
Insulation voltage input/output	3 kV AC (type test)
	1.5 kV AC (routine test)
Insulation voltage output / PE	500 V AC (type test)
	500 V AC (routine test)
Insulation voltage input / PE	1.5 kV AC (type test)
	1.5 kV AC (routine test)

Product properties

Product type	DC UPS with integrated power supply
Product family	TRIO DC UPS with integrated power supply
MTBF (IEC 61709, SN 29500)	> 1395470 h (230 V AC, at 25 °C)
	> 825726 h (230 V AC, at 40 °C)
	> 388314 h (230 V AC, at 60 °C)

Insulation characteristics

Protection class	I
Overvoltage category (EN 61010-1)	II
Degree of pollution	2

Life expectancy (electrolytic capacitors)

Current	5 A
Temperature	40 °C
Additional text	230 V AC

Dimensions

Item dimensions

TRIO-UPS-2G/1AC/24DC/5 - Uninterruptible power supply



2907160

<https://www.phoenixcontact.com/us/products/2907160>

Width	60 mm
Height	130 mm
Depth	115 mm

Installation dimensions

Installation distance right/left	0 mm / 0 mm
Installation distance top/bottom	50 mm / 50 mm

Mounting

Mounting type	DIN rail mounting
Assembly note	alignable: horizontally 0 mm, vertically 50 mm
Mounting position	horizontal DIN rail NS 35, EN 60715

Material specifications

Flammability rating according to UL 94 (housing / terminal blocks)	V0
Housing material	Metal
Hood version	PC
Side element version	Aluminum

Environmental and real-life conditions

Ambient conditions

Degree of protection	IP20 IP20
Ambient temperature (operation)	-25 °C ... 70 °C (> 60 °C Derating: 2,5 %/K)
Ambient temperature (storage/transport)	-40 °C ... 85 °C
Ambient temperature (start-up type tested)	-40 °C
Maximum altitude	≤ 4000 m (> 2000 m, observe derating)
Climatic class	3K3 (in acc. with EN 60721)
Max. permissible relative humidity (operation)	≤ 95 % (at +25 °C, non-condensing)
Shock	30g, 18 ms in accordance with IEC 60068-2-27
Vibration (operation)	< 12 ... 13.2 Hz, amplitude ±1 mm, 13.2 ... 100 Hz, 0.7g in accordance with IEC 60068-2-6

Standards and regulations

Safety for measurement, control, and laboratory equipment

Standard designation	Safety for equipment for measurement, control, and laboratory use
Standards/specifications	IEC 61010-1

Safety extra-low voltage

Standard designation	Safety extra-low voltage
Standards/specifications	IEC 61010-1 (SELV)

Protective extra-low voltage

Standard designation	Protective extra-low voltage
----------------------	------------------------------

TRIO-UPS-2G/1AC/24DC/5 - Uninterruptible power supply



2907160

<https://www.phoenixcontact.com/us/products/2907160>

Standards/specifications	IEC 61010-2-201 (PELV)
Safe isolation	
Standard designation	Safe isolation
Standards/specifications	DIN VDE 0100-410
Low-voltage power supplies, DC output	
Standard designation	Low-voltage power supplies, DC output
Standards/specifications	EN 61204-3
Ship's bridge	
Standard designation	Ship's bridge
Standards/specifications	IEC/EN 60945

Approvals

UL	
Identification	UL Listed UL 61010
UL	
Identification	UL/C-UL Listed ANSI/ISA-12.12.01 Class I, Division 2, Groups A, B, C
Shipbuilding	
Identification	DNV
Shipbuilding	
Identification	LR

EMC data

Electromagnetic compatibility	Conformance with EMC Directive 2014/30/EU
Low Voltage Directive	Conformance with Low Voltage Directive 2014/35/EC
EMC requirements for noise emission	EN 61000-6-3
	EN 61000-6-4
EMC requirements for noise immunity	EN 61000-6-1
	EN 61000-6-2
Noise immunity	Immunity in accordance with EN 61000-6-2 (industrial)
Conducted noise emission	
Standards/regulations	EN 61000-6-3
Noise emission	
Standards/regulations	EN 61000-6-3
DNV GL conducted noise emissions	
DNV	Class B
Additional text	Area power distribution
DNV GL noise radiation	
DNV	Class B

TRIO-UPS-2G/1AC/24DC/5 - Uninterruptible power supply



2907160

<https://www.phoenixcontact.com/us/products/2907160>

Additional text	Bridge and deck area
Harmonic currents	
Standards/regulations	EN 61000-3-2
Flicker	
Standards/regulations	EN 61000-3-3
Electrostatic discharge	
Standards/regulations	EN 61000-4-2
Electrostatic discharge	
Contact discharge	6 kV (Test Level 3)
Discharge in air	8 kV (Test Level 3)
Electromagnetic HF field	
Standards/regulations	EN 61000-4-3
Electromagnetic HF field	
Frequency range	80 MHz ... 6 GHz
Test field strength	10 V/m
Frequency range	1.4 GHz ... 6 GHz
Test field strength	3 V/m
Fast transients (burst)	
Standards/regulations	EN 61000-4-4
Fast transients (burst)	
Input	4 kV
Output	2 kV
Signal	2 kV
Surge voltage load (surge)	
Standards/regulations	EN 61000-4-5
Surge voltage load (surge)	
Input	2 kV (Test Level 4 - symmetrical)
	4 kV (Test Level 4 - asymmetrical)
Output	1 kV (Test Level 3 - symmetrical)
	2 kV (Test Level 3 - asymmetrical)
Signal	1 kV (Test Level 2 - asymmetrical)
Conducted interference	
Standards/regulations	EN 61000-4-6
Conducted interference	
Frequency range	0.15 MHz ... 80 MHz
Voltage	10 V

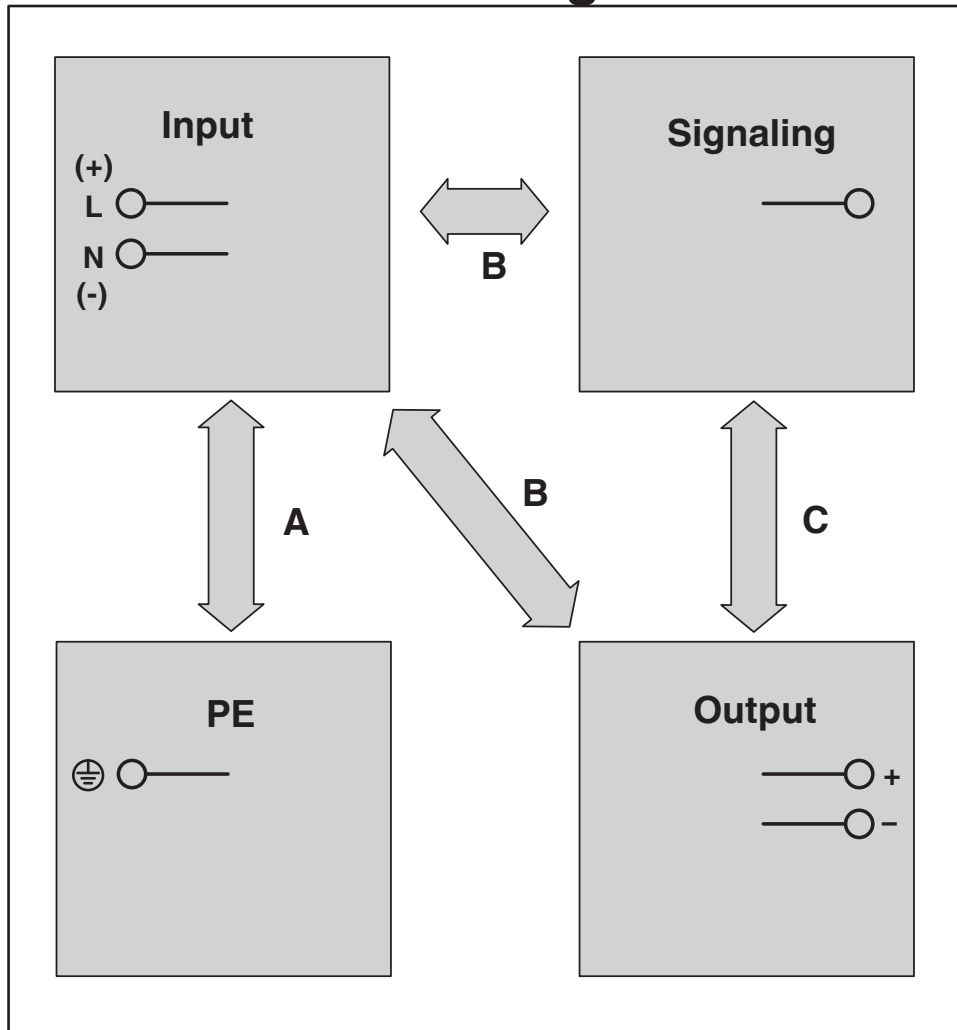
2907160

<https://www.phoenixcontact.com/us/products/2907160>

Drawings

Schematic diagram

Housing



Insulation electric strength

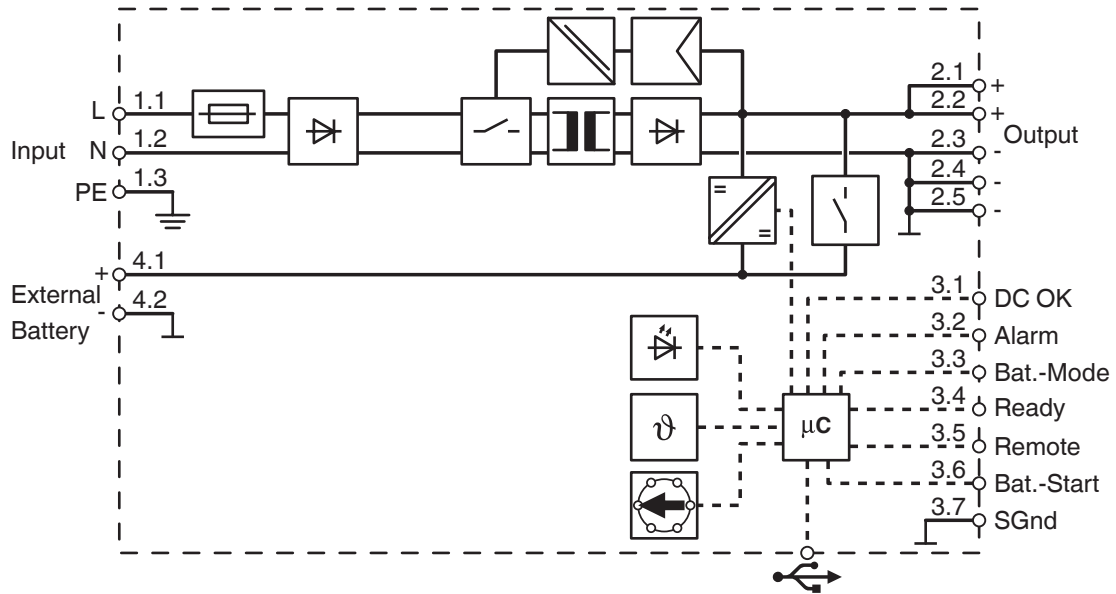
TRIO-UPS-2G/1AC/24DC/5 - Uninterruptible power supply



2907160

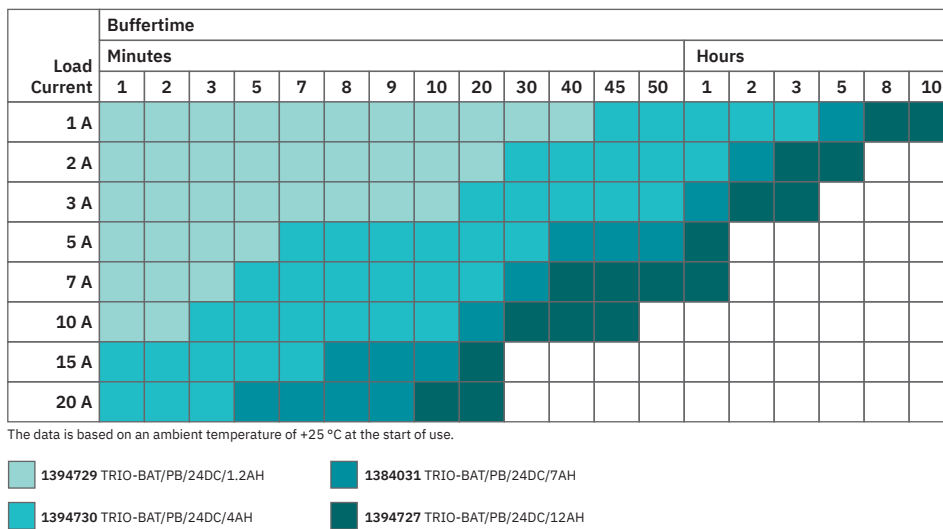
<https://www.phoenixcontact.com/us/products/2907160>

Block diagram



Block diagram

Graphic



TRIO-UPS-2G buffer times for TRIO battery modules

TRIO-UPS-2G/1AC/24DC/5 - Uninterruptible power supply



2907160

<https://www.phoenixcontact.com/us/products/2907160>

Graphic

Load Current	Buffertime																				
	Minutes						Hours														
	30	35	40	45	50	55	1	2	3	4	5	6	7	8	9	10	12	14	16	18	20
1 A	■	■	■	■	■	■	■	■	■	■	■	■	■	■	■	■	■	■	■	■	■
2 A	■	■	■	■	■	■	■	■	■	■	■	■	■	■	■	■	■	■	■	■	■
3 A	■	■	■	■	■	■	■	■	■	■	■	■	■	■	■	■	■	■	■	■	■
5 A	■	■	■	■	■	■	■	■	■	■	■	■	■	■	■	■	■	■	■	■	■
7 A	■	■	■	■	■	■	■	■	■	■	■	■	■	■	■	■	■	■	■	■	■
10 A	■	■	■	■	■	■	■	■	■	■	■	■	■	■	■	■	■	■	■	■	■
15 A	■	■	■	■	■	■	■	■	■	■	■	■	■	■	■	■	■	■	■	■	■
20 A	■	■	■	■	■	■	■	■	■	■	■	■	■	■	■	■	■	■	■	■	■

The data is based on an ambient temperature of +25 °C at the start of use.

■ 1348516 UPS-BAT/PB/24DC/20AH ■ 1354641 UPS-BAT/PB/24DC/40AH

TRIO-UPS-2G buffer times for lead battery modules

Graphic

Load Current	Buffertime																									
	Minutes										Hours															
	10	12	15	20	25	30	35	40	45	50	55	1	2	3	4	5	6	7	8	9	10	12	14	16	18	20
1 A	■	■	■	■	■	■	■	■	■	■	■	■	■	■	■	■	■	■	■	■	■	■	■	■	■	■
2 A	■	■	■	■	■	■	■	■	■	■	■	■	■	■	■	■	■	■	■	■	■	■	■	■	■	■
3 A	■	■	■	■	■	■	■	■	■	■	■	■	■	■	■	■	■	■	■	■	■	■	■	■	■	■
5 A	■	■	■	■	■	■	■	■	■	■	■	■	■	■	■	■	■	■	■	■	■	■	■	■	■	■
7 A	■	■	■	■	■	■	■	■	■	■	■	■	■	■	■	■	■	■	■	■	■	■	■	■	■	■
10 A	■	■	■	■	■	■	■	■	■	■	■	■	■	■	■	■	■	■	■	■	■	■	■	■	■	■
15 A	■	■	■	■	■	■	■	■	■	■	■	■	■	■	■	■	■	■	■	■	■	■	■	■	■	■
20 A	■	■	■	■	■	■	■	■	■	■	■	■	■	■	■	■	■	■	■	■	■	■	■	■	■	■

The data is based on an ambient temperature of +25 °C at the start of use.

■ 2320416 UPS-BAT/VRLA-WTR/24DC/13AH ■ 2320429 UPS-BAT/VRLA-WTR/24DC/26AH

TRIO-UPS-2G buffer times for VRLA-WTR battery modules

TRIO-UPS-2G/1AC/24DC/5 - Uninterruptible power supply



2907160

<https://www.phoenixcontact.com/us/products/2907160>

Approvals

To download certificates, visit the product detail page: <https://www.phoenixcontact.com/us/products/2907160>

DNV

Approval ID: TAA00000BM



IECEE CB Scheme

Approval ID: DK-63811-UL



EAC

Approval ID: RU S-DE.BL08.W.00764



LR

Approval ID: LR21417906TA-01



EAC

Approval ID: RU S-DE.BL08.W.00764



UL Listed

Approval ID: E123528



cUL Listed

Approval ID: E123528

BSH

Approval ID: 1025a



KC

Approval ID: R-R-PCK-2907160



IECEE CB Scheme

Approval ID: DK-63811-UL



cUL Listed

Approval ID: E123528

TRIO-UPS-2G/1AC/24DC/5 - Uninterruptible power supply



2907160

<https://www.phoenixcontact.com/us/products/2907160>



UL Listed

Approval ID: E123528

BSH

Approval ID: 1025a



LR

Approval ID: LR21417906TA-01



EAC

Approval ID: RU-DE.B.00184/20



EAC

Approval ID: RU-DE.B.00184/20



KC

Approval ID: R-R-PCK-2907160

DNV

Approval ID: TAA00000BM



cUL Listed

Approval ID: E199827



UL Listed

Approval ID: E199827



UL Listed

Approval ID: E199827



cUL Listed

Approval ID: E199827

TRIO-UPS-2G/1AC/24DC/5 - Uninterruptible power supply



2907160

<https://www.phoenixcontact.com/us/products/2907160>

Classifications

ECLASS

ECLASS-13.0	27040705
ECLASS-15.0	27040705

ETIM

ETIM 10.0	EC000382
-----------	----------

UNSPSC

UNSPSC 21.0	39121000
-------------	----------

TRIO-UPS-2G/1AC/24DC/5 - Uninterruptible power supply



2907160

<https://www.phoenixcontact.com/us/products/2907160>

Environmental product compliance

EU RoHS

Fulfills EU RoHS substance requirements	Yes
Exemption	7(a), 7(c)-I

China RoHS

Environment friendly use period (EFUP)	EFUP-25
	An article-related China RoHS declaration table can be found in the download area for the respective article under "Manufacturer declaration". For all articles with EFUP-E, no China RoHS declaration table issued and required.

EU REACH SVHC

REACH candidate substance (CAS No.)	Lead(CAS: 7439-92-1)
	Lead(CAS: 7439-92-1)
SCIP	e77ad9e2-2404-4b0a-ba31-f740fa6d007a

EF3.1 Climate Change

CO2e kg	26.804 kg CO2e
---------	----------------

Phoenix Contact 2026 © - all rights reserved
<https://www.phoenixcontact.com>

Phoenix Contact USA
586 Fulling Mill Road
Middletown, PA 17057, United States
(+717) 944-1300
info@phoenixcon.com