

RIF-BR-12-230 AC - Plug-in module



2907060

<https://www.phoenixcontact.com/us/products/2907060>

Please be informed that the data shown in this PDF document is generated from our online catalog. Please find the complete data in the user documentation. Our general terms of use for downloads are valid.



Plug-in module, for mounting on RIF-1, RIF-2, RIF-3, and RIF-4, with bridge rectifier, input voltage: 12 V AC ... 230 V AC

Commercial data

Item number	2907060
Packing unit	10 pc
Minimum order quantity	10 pc
Sales key	C465
Product key	DK6545
GTIN	4055626181189
Weight per piece (including packing)	3.2 g
Weight per piece (excluding packing)	3 g
Customs tariff number	85363010
Country of origin	CN

RIF-BR-12-230 AC - Plug-in module



2907060

<https://www.phoenixcontact.com/us/products/2907060>

Technical data

Product properties

Product type	Plug-in module
Product family	RIFLINE complete

Input data

Input voltage range	12 V AC ... 230 V AC
---------------------	----------------------

Approvals

Corrosive gas test

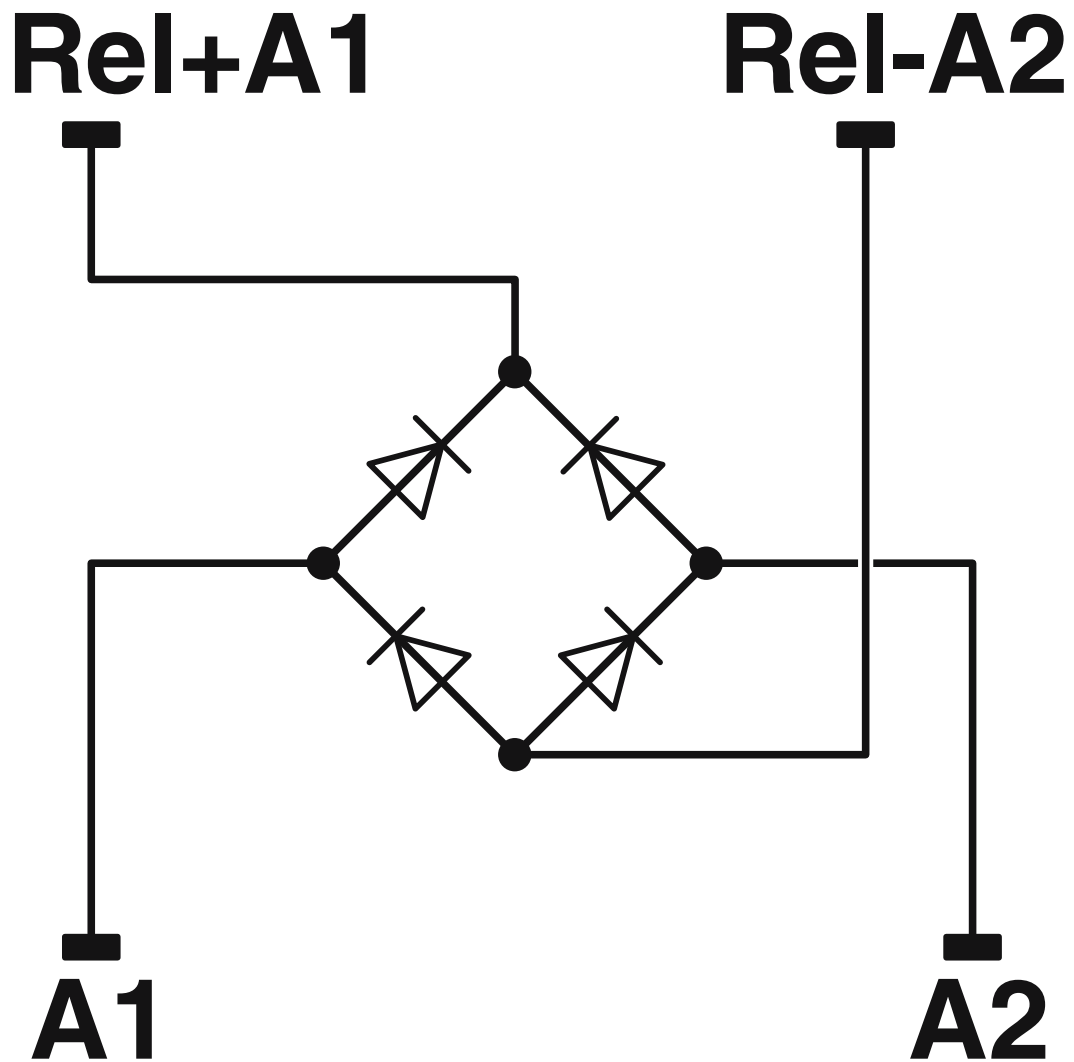
Identification	ISA-S71.04. G3 Harsh Group
	EN 60068-2-60

Mounting

Mounting type	Plug-in mounting
Assembly note	Can be inserted into relay base
Mounting position	any

Drawings

Circuit diagram



RIF-BR-12-230 AC - Plug-in module



2907060

<https://www.phoenixcontact.com/us/products/2907060>

Approvals

To download certificates, visit the product detail page: <https://www.phoenixcontact.com/us/products/2907060>



CSA

Approval ID: 76787



UL Recognized

Approval ID: FILE E 113228

DNV

Approval ID: TAA000018V

RIF-BR-12-230 AC - Plug-in module



2907060

<https://www.phoenixcontact.com/us/products/2907060>

Classifications

ECLASS

ECLASS-13.0	27371692
ECLASS-15.0	27371692

ETIM

ETIM 10.0	EC002586
-----------	----------

UNSPSC

UNSPSC 21.0	39122300
-------------	----------

RIF-BR-12-230 AC - Plug-in module



2907060

<https://www.phoenixcontact.com/us/products/2907060>

Environmental product compliance

EU RoHS

Fulfills EU RoHS substance requirements	Yes
Exemption	7(a), 7(c)-I

China RoHS

Environment friendly use period (EFUP)	EFUP-50
	An article-related China RoHS declaration table can be found in the download area for the respective article under "Manufacturer declaration". For all articles with EFUP-E, no China RoHS declaration table issued and required.

EU REACH SVHC

REACH candidate substance (CAS No.)	Lead(CAS: 7439-92-1)
SCIP	aad1f847-d3cf-4a1a-bdc9-3abd74691b44

Phoenix Contact 2026 © - all rights reserved

<https://www.phoenixcontact.com>

Phoenix Contact USA
586 Fulling Mill Road
Middletown, PA 17057, United States
(+717) 944-1300
info@phoenixcon.com