

# UEGM-MSTB BK - Electronics housing

2907059

<https://www.phoenixcontact.com/us/products/2907059>

Please be informed that the data shown in this PDF document is generated from our online catalog. Please find the complete data in the user documentation. Our general terms of use for downloads are valid.

Electronic housing, for PCB insertion, with 12-pos. Combicon pin strip



The figure shows a green version

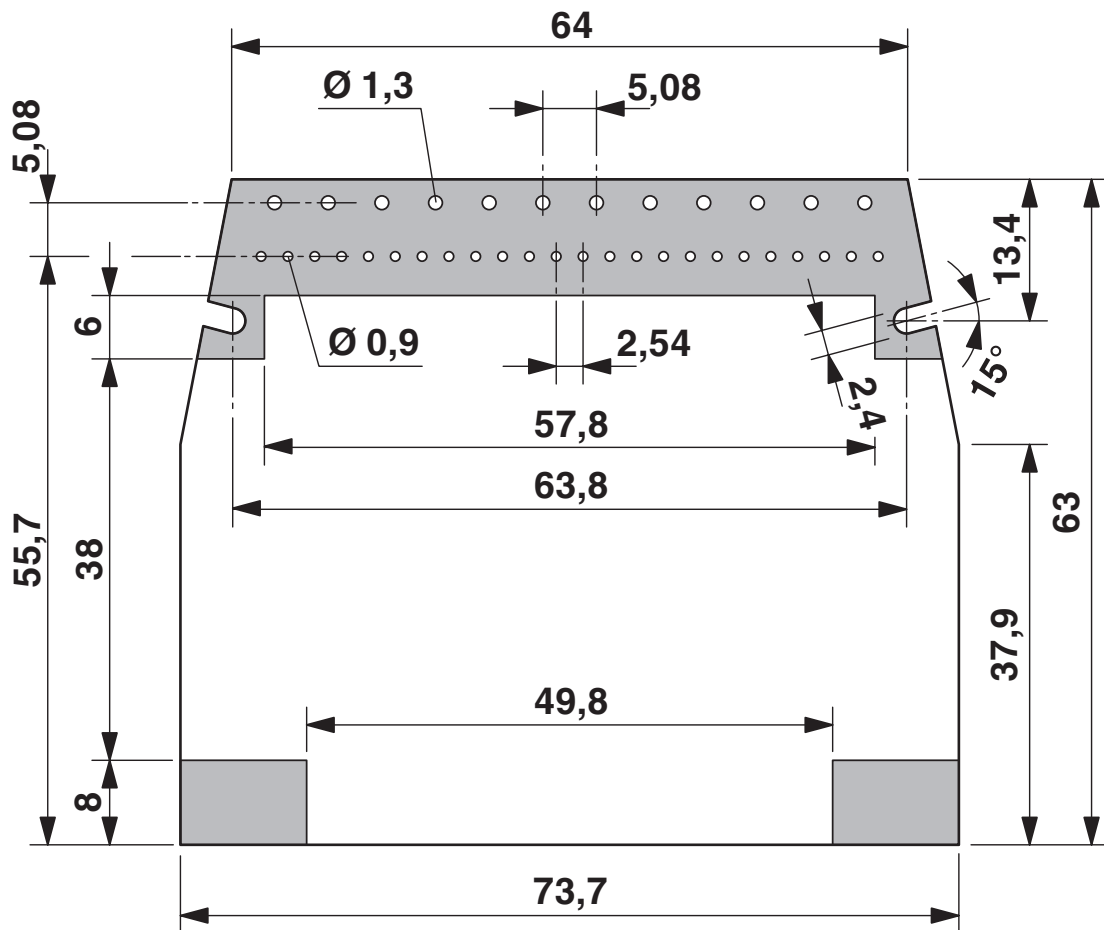
## Commercial data

Item number	2907059
Packing unit	1 pc
Note	Made to order (non-returnable)
Sales key	AC11
Product key	ACHCCC
GTIN	4017918126575
Weight per piece (including packing)	50.38 g
Weight per piece (excluding packing)	43.918 g
Customs tariff number	85369010
Country of origin	DE



Drawings

Dimensional drawing



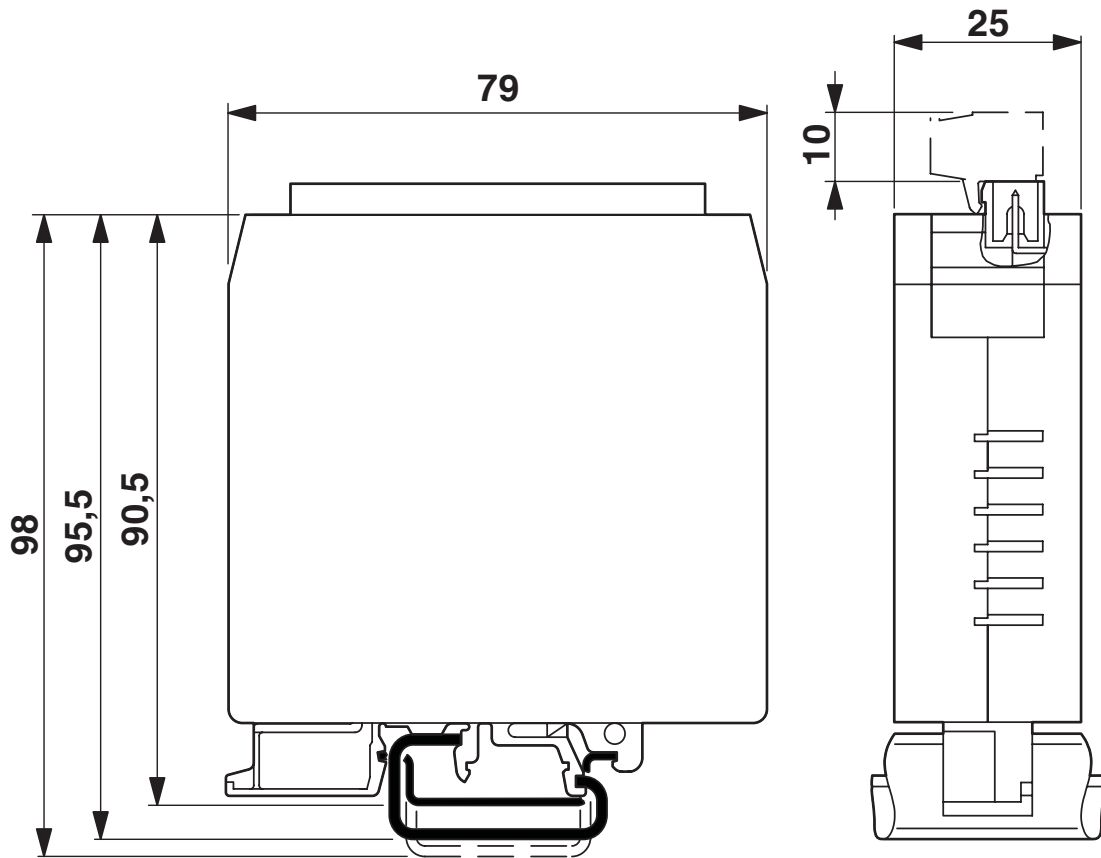
# UEGM-MSTB BK - Electronics housing

2907059

<https://www.phoenixcontact.com/us/products/2907059>



Dimensional drawing



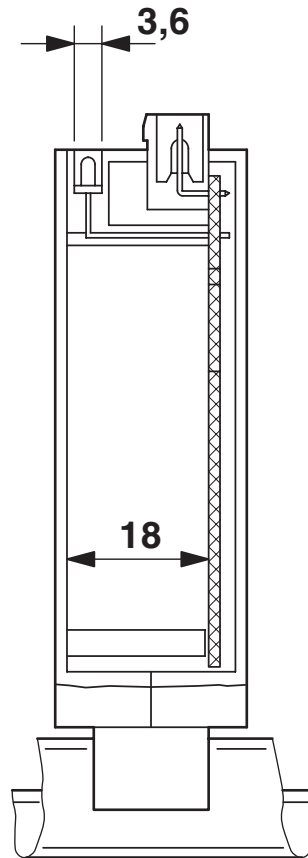
# UEGM-MSTB BK - Electronics housing

2907059

<https://www.phoenixcontact.com/us/products/2907059>

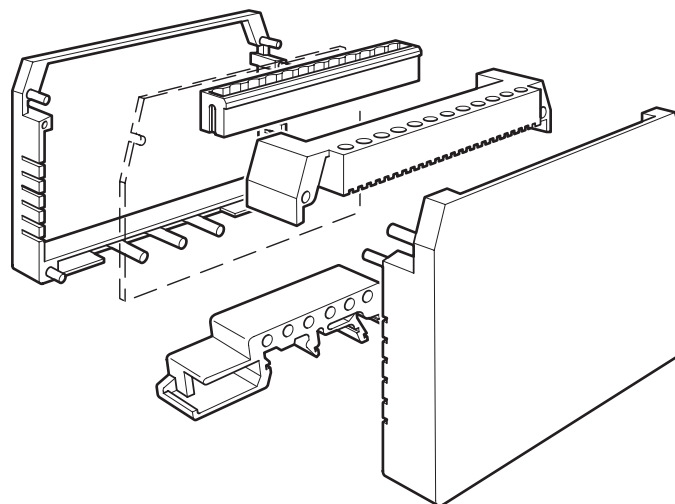


Dimensional drawing



Maximum height of the components on the PCB

Exploded view



# UEGM-MSTB BK - Electronics housing



2907059

<https://www.phoenixcontact.com/us/products/2907059>

## Environmental product compliance

### China RoHS

Environment friendly use period (EFUP)	EFUP-E
	No hazardous substances above the limits

### EU REACH SVHC

REACH candidate substance (CAS No.)	No substance above 0.1 wt%
-------------------------------------	----------------------------

Phoenix Contact 2026 © - all rights reserved  
<https://www.phoenixcontact.com>

Phoenix Contact USA  
586 Fulling Mill Road  
Middletown, PA 17057, United States  
(+717) 944-1300  
[info@phoenixcon.com](mailto:info@phoenixcon.com)