

REL-OR2/LDP-220DC/2X21 - Single relay



2907026

<https://www.phoenixcontact.com/us/products/2907026>

Please be informed that the data shown in this PDF document is generated from our online catalog. Please find the complete data in the user documentation. Our general terms of use for downloads are valid.



Plug-in octal relay with power contacts, 2 change-over contacts, test key, mechanical switch position display, coil voltage: 220 V DC, response voltage at 23 °C without pre-excitation $\geq 60\%$.. 80 % of the rated voltage (≥ 132 V DC ... ≤ 176 V DC)

Commercial data

Item number	2907026
Packing unit	1 pc
Note	Made to order (non-returnable)
Sales key	C460
Product key	DK6193
GTIN	4055626159942
Weight per piece (including packing)	91.53 g
Weight per piece (excluding packing)	91.53 g
Customs tariff number	85364900
Country of origin	PL

Technical data

Product properties

Product type	Single relay
Operating mode	100% operating factor
Mechanical service life	1x 10 ⁷ cycles, approximately

Insulation characteristics

Insulation	Basic insulation
Overvoltage category	III
Pollution degree	3

Data management status

Date of last data management	05.09.2025
------------------------------	------------

Electrical properties

Maximum power dissipation for nominal condition	1.76 W
Test voltage (Winding/contact)	2.5 kV _{rms} (50 Hz, 1 min., winding/contact)
Test voltage (Changeover contact/changeover contact)	2 kV _{rms} (50 Hz, 1 min., changeover contact/changeover contact)
Rated insulation voltage	250 V AC
Rated surge voltage	4 kV

Input data

Coil side

Nominal input voltage U _N	220 V DC
Input voltage range	187 V DC ... 242 V DC
Input voltage range in reference to U _N	see diagram
Drive and function	monostable
Typical input current at U _N	8 mA
Typical response time	18 ms
Typical release time	7 ms
Protective circuit	Freewheeling diode
Status display	LED (yellow)

Output data

Switching

Contact switching type	2 changeover contacts
Type of switch contact	Single contact
Contact material	AgNi
Maximum switching voltage	250 V AC/DC
Minimum switching voltage	10 V (At 24 mA)
Limiting continuous current	10 A
Maximum inrush current	30 A (20 ms, N/O contacts)

REL-OR2/LDP-220DC/2X21 - Single relay



2907026

<https://www.phoenixcontact.com/us/products/2907026>

Min. switching current	10 mA (at 24 V)
Interrupting rating (ohmic load) max.	240 W (at 24 V DC)
	124 W (at 48 V DC)
	108 W (at 60 V DC)
	52 W (at 110 V DC)
	48 W (at 220 V DC)
	2500 VA (for 250 V AC)
Switching power min.	0.24 W
Switching capacity	2 A (at 24 V, DC13)
	1.5 A (at 230 V, AC15)

Connection data

Connection method	Plug-in connection
-------------------	--------------------

Dimensions

Width	35 mm
Height	35 mm
Depth	54.4 mm

Environmental and real-life conditions

Ambient conditions

Degree of protection	RT I
Ambient temperature (operation)	-40 °C ... 70 °C
Ambient temperature (storage/transport)	-40 °C ... 85 °C

Approvals

Corrosive gas test

Identification	ISA-S71.04. G3 Harsh Group
	EN 60068-2-60

Standards and regulations

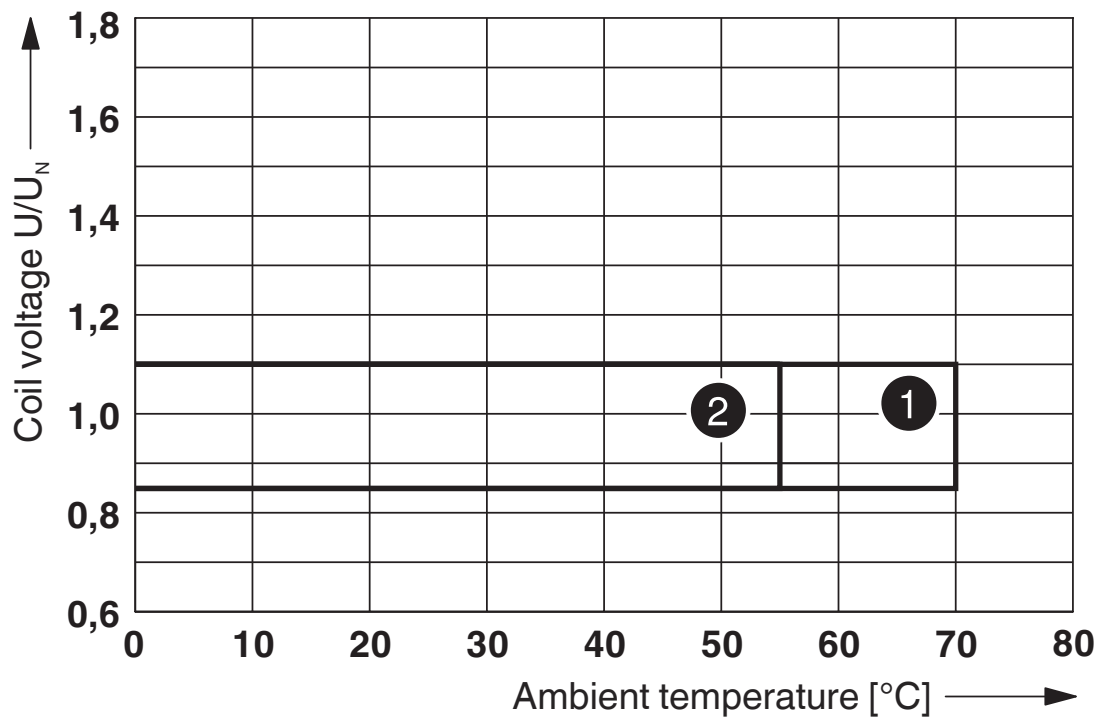
Standards/regulations	IEC 60664
	IEC 61810

Mounting

Mounting position	any
-------------------	-----

Drawings

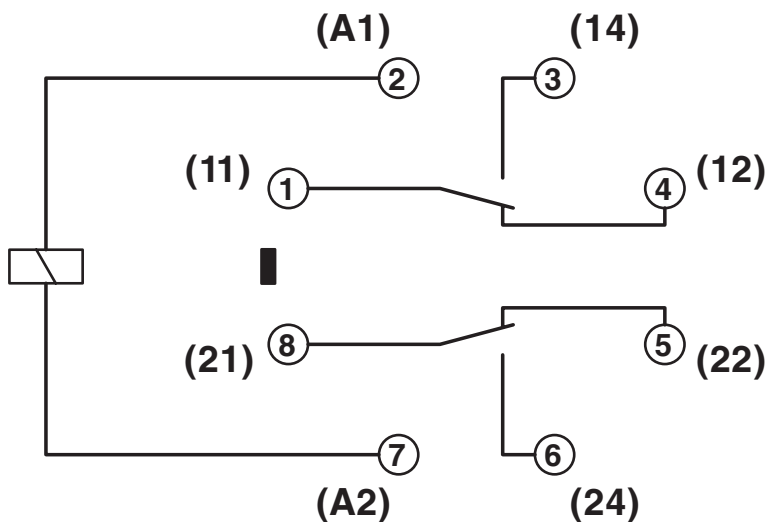
Diagram



- ① DC coils
- ② AC coils

Operating voltage range

Circuit diagram



REL-OR2/LDP-220DC/2X21 - Single relay



2907026

<https://www.phoenixcontact.com/us/products/2907026>

Classifications

UNSPSC

UNSPSC 21.0	39122300
-------------	----------

REL-OR2/LDP-220DC/2X21 - Single relay



2907026

<https://www.phoenixcontact.com/us/products/2907026>

Environmental product compliance

EU RoHS

Fulfills EU RoHS substance requirements	Yes, No exemptions
---	--------------------

China RoHS

Environment friendly use period (EFUP)	EFUP-E
	No hazardous substances above the limits

EU REACH SVHC

REACH candidate substance (CAS No.)	No substance above 0.1 wt%
-------------------------------------	----------------------------

Phoenix Contact 2026 © - all rights reserved
<https://www.phoenixcontact.com>

Phoenix Contact USA
586 Fulling Mill Road
Middletown, PA 17057, United States
(+717) 944-1300
info@phoenixcon.com