

# QUINT4-UPS/24DC/24DC/5/USB - Uninterruptible power supply



2906991

<https://www.phoenixcontact.com/us/products/2906991>

Please be informed that the data shown in this PDF document is generated from our online catalog. Please find the complete data in the user documentation. Our general terms of use for downloads are valid.



QUINT DC UPS, IQ Technology, USB, DIN rail mounting, Screw connection, input: 24 V DC, output: 24 V DC / 5 A, charging current: 1.5 A

## Product description

The intelligent QUINT UPS for integration into established industrial networks: your systems continue to be supplied with uninterrupted power, even in the event of a mains failure. The battery management system with IQ Technology and a powerful battery charger ensures superior system availability.

## Your advantages

- Easy integration into networks using PROFINET, EtherNet/IP, EtherCAT® and USB interfaces
- Evaluation of state of health (SOH) and state of charge (SOC), thanks to the intelligent battery management system (BMS)
- Automatic recognition of the battery capacities and technologies (VRLA-WTR, LI-ION)
- Monitoring of output current and voltage, as well as manual connection and disconnection of the system
- SFB Technology selectively trips standard miniature circuit breakers. Loads connected in parallel continue working.

## Commercial data

Item number	2906991
Packing unit	1 pc
Minimum order quantity	1 pc
Sales key	CM21
Product key	CMUI43
GTIN	4055626171234
Weight per piece (including packing)	525.2 g
Weight per piece (excluding packing)	454 g
Customs tariff number	85371091
Country of origin	CN

# QUINT4-UPS/24DC/24DC/5/USB - Uninterruptible power supply



2906991

<https://www.phoenixcontact.com/us/products/2906991>

## Technical data

### Input data

Input voltage	24 V DC
Input voltage range	18 V DC ... 30 V DC
	18 V DC ... 32 V DC
Electric strength, max.	35 V DC (Protected against polarity reversal)
Internal input fuse	no
Voltage type of supply voltage	DC
Inrush current	≤ 7 A (≤ 4 ms)
Reverse polarity protection	yes
Fixed backup threshold	22 V DC
Dynamic activation threshold	> 1 V / 100 ms
Switch-on time	max. 3 s
Switch-on time during battery operation (Bat.-Start)	8 s
Voltage drop, input/output	0.3 V DC
Current consumption $I_N$ ( $U_N, I_{OUT} = I_N, I_{charge} = 0$ )	5.1 A
Current consumption $I_{max}$ ( $U_N, I_{OUT} = I_{Stat.Boost}, I_{charge} = max$ )	8.3 A
Current consumption $I_{No-Load}$ ( $U_N, I_{OUT} = 0, I_{charge} = 0$ )	45 mA
Current consumption $I_{charge}$ ( $U_N, I_{OUT} = 0, I_{charge} = max$ )	1.8 A
Power consumption $P_N$ ( $U_N, I_{OUT} = I_N, I_{charge} = 0$ )	121 W
Power consumption $P_{max}$ ( $U_N, I_{OUT} = I_{Stat.Boost}, I_{charge} = max$ )	211 W
Power consumption $P_{No-Load}$ ( $U_N, I_{OUT} = 0, I_{charge} = 0$ )	1.1 W
Power consumption $P_{charge}$ ( $U_N, I_{OUT} = 0, I_{charge} = max$ )	43 W

### Output data

Efficiency	typ. 98 %
Number of outputs	1
Short-circuit-proof	yes
No-load proof	yes
Switch-over time	0 ms
UPS connection in parallel	yes, with decoupling modules (to increase the buffer time and for redundancy)
UPS connection in series	no
Energy storage device connection in parallel	Yes, 5 (observe line protection)
Energy storage device connection in series	no

### Mains operation

Output voltage	24 V DC ( $U_{OUT} = U_{IN} - 0.3$ V DC)
Output voltage range	18 V DC ... 30 V DC ( $U_{Out} = U_{In} - 0.3$ V DC)
	18 V DC ... 32 V DC
Output current $I_N$	5 A

# QUINT4-UPS/24DC/24DC/5/USB - Uninterruptible power supply



2906991

<https://www.phoenixcontact.com/us/products/2906991>

Static Boost ( $I_{\text{Stat.Boost}}$ )	6.25 A
Dynamic Boost ( $I_{\text{Dyn.Boost}}$ )	10 A (5 s)
Selective Fuse Breaking ( $I_{\text{SFB}}$ )	30 A (15 ms)
Output power $P_{\text{OUT}}$ ( $U_{\text{N}}$ , $I_{\text{OUT}} = I_{\text{N}}$ )	120 W
Output power $P_{\text{OUT}}$ ( $U_{\text{N}}$ , $I_{\text{OUT}} = I_{\text{stat.Boost}}$ )	155 W
Output power $P_{\text{OUT}}$ ( $U_{\text{N}}$ , $I_{\text{OUT}} = I_{\text{dyn.Boost}}$ )	240 W (5 s)
Power dissipation No load ( $U_{\text{N}}$ , $I_{\text{Out}} = 0$ , $I_{\text{Charge}} = 0$ )	1 W
Power dissipation Nominal load ( $U_{\text{N}}$ , $I_{\text{Out}} = I_{\text{N}}$ , $I_{\text{Charge}} = 0$ )	3 W

## Battery operation

Output voltage	24 V DC ( $U_{\text{OUT}} = U_{\text{BAT}} - 0.3 \text{ V DC}$ )
Output voltage range	19 V DC ... 32 V DC ( $U_{\text{OUT}} = U_{\text{BAT}} - 0.3 \text{ V DC}$ )
Output current $I_{\text{N}}$	5 A
Static Boost ( $I_{\text{Stat.Boost}}$ )	6.25 A
Selective Fuse Breaking ( $I_{\text{SFB}}$ )	30 A (15 ms)
Output power $P_{\text{OUT}}$ ( $U_{\text{N}}$ , $I_{\text{OUT}} = I_{\text{N}}$ )	120 W
Output power $P_{\text{OUT}}$ ( $U_{\text{N}}$ , $I_{\text{OUT}} = I_{\text{stat.Boost}}$ )	150 W
Output power $P_{\text{OUT}}$ ( $U_{\text{N}}$ , $I_{\text{OUT}} = I_{\text{dyn.Boost}}$ )	240 W (5 s)
Power dissipation No load ( $U_{\text{N}}$ , $I_{\text{Out}} = 0$ , $I_{\text{Charge}} = 0$ )	2 W
Power dissipation Nominal load ( $U_{\text{N}}$ , $I_{\text{Out}} = I_{\text{N}}$ , $I_{\text{Charge}} = 0$ )	3 W

## Energy storage

End-of-charge voltage	32 V DC
End-of-charge voltage (temperature-compensated)	25 V DC ... 32 V DC
Charging current (configurable)	max. 1.5 A
Nominal capacity (without additional charger)	0.8 Ah ... 30 Ah
Max. capacity	40 Ah
Charging time	2.5 h (3.4 Ah)
Buffer time	25 min (3.4 Ah)
Deep discharge protection (configurable)	19.2 V DC
Battery technology	VRLA, VRLA-WTR, LI-ION
Charge characteristic curve	IU <sub>0</sub> U
IQ-Technology	yes
Temperature sensor	yes
Temperature compensation (configurable)	42 mV/K

## Connection data

### Input

Position	1.x
----------	-----

### Conductor connection

Connection method	Screw connection
rigid	0.2 mm <sup>2</sup> ... 2.5 mm <sup>2</sup>

# QUINT4-UPS/24DC/24DC/5/USB - Uninterruptible power supply



2906991

<https://www.phoenixcontact.com/us/products/2906991>

flexible	0.2 mm <sup>2</sup> ... 2 mm <sup>2</sup>
flexible with ferrule without plastic sleeve	0.2 mm <sup>2</sup> ... 2.5 mm <sup>2</sup>
flexible with ferrule with plastic sleeve	0.2 mm <sup>2</sup> ... 2.5 mm <sup>2</sup>
rigid (AWG)	30 ... 12 (Cu)
Stripping length	6.5 mm (rigid/flexible)
Tightening torque	0.5 Nm ... 0.6 Nm
Drive form screw head	Slotted L

## Output

Position	2.x
----------	-----

## Conductor connection

Connection method	Screw connection
rigid	0.2 mm <sup>2</sup> ... 2.5 mm <sup>2</sup>
flexible	0.2 mm <sup>2</sup> ... 2.5 mm <sup>2</sup>
flexible with ferrule without plastic sleeve	0.2 mm <sup>2</sup> ... 2.5 mm <sup>2</sup>
flexible with ferrule with plastic sleeve	0.2 mm <sup>2</sup> ... 2.5 mm <sup>2</sup>
rigid (AWG)	30 ... 12 (Cu)
Stripping length	6.5 mm (rigid/flexible)
Tightening torque	0.5 Nm ... 0.6 Nm
Drive form screw head	Slotted L

## Signal

Position	3.x
----------	-----

## Conductor connection

Connection method	Push-in connection
rigid	0.2 mm <sup>2</sup> ... 1 mm <sup>2</sup>
flexible	0.2 mm <sup>2</sup> ... 1 mm <sup>2</sup>
flexible with ferrule without plastic sleeve	0.2 mm <sup>2</sup> ... 0.75 mm <sup>2</sup> (Cu) 0.5 mm <sup>2</sup> (recommended)
flexible with ferrule with plastic sleeve	0.2 mm <sup>2</sup> ... 0.75 mm <sup>2</sup>
rigid (AWG)	24 ... 16 (Cu)
Stripping length	8 mm (rigid/flexible)

## Battery

Position	4.x
----------	-----

## Connection technology

Position marking	4.1 (+), 4.2 (-), 4.3 (⏏  )
------------------	--

## Conductor connection

Connection method	Screw connection
rigid	0.2 mm <sup>2</sup> ... 2.5 mm <sup>2</sup>
flexible	0.2 mm <sup>2</sup> ... 2.5 mm <sup>2</sup>
flexible with ferrule without plastic sleeve	0.2 mm <sup>2</sup> ... 2.5 mm <sup>2</sup>

# QUINT4-UPS/24DC/24DC/5/USB - Uninterruptible power supply



2906991

<https://www.phoenixcontact.com/us/products/2906991>

flexible with ferrule with plastic sleeve	0.2 mm <sup>2</sup> ... 2.5 mm <sup>2</sup>
rigid (AWG)	30 ... 12 (Cu)
Stripping length	6.5 mm (rigid/flexible)
Tightening torque	0.5 Nm ... 0.6 Nm
Drive form screw head	Slotted L

## Interfaces

### Communication

Slave address	192
Start bit	1
Data bits	8
Parity	even
Stop bit	1
Interface	USB
Number of interfaces	1
Connection method	MINI-USB Type B
Supported protocols	Modbus/RTU
Connection marking	X1
Locking	Screw
Transmission physics	USB 2.0
Topology	Point-to-point
Transmission speed	9600 baud ... 115200 baud (Default: 115200 baud)
Transmission length	max. 5 m
Access time	≤ 2 s
Chipset	Silicon Labs CP210x
Electrical isolation	Yes, UL approved

## Signaling

### LED signaling

Types of signaling	DC OK (green)
	Alarm (red)
	Bat.-Mode (yellow)
	SOC (red, green)
	Data (red, green)

## Product properties

Product type	DC UPS
Product family	QUINT DC UPS
MTBF (IEC 61709, SN 29500)	> 1430000 h (25 °C)
	> 916900 h (40 °C)
	> 480100 h (60 °C)
	RoHS Directive 2011/65/EU

# QUINT4-UPS/24DC/24DC/5/USB - Uninterruptible power supply



2906991

<https://www.phoenixcontact.com/us/products/2906991>

Environmental protection directive	WEEE
	Reach

## Insulation characteristics

Protection class	III (without PE)
Overvoltage category (EN 61010-1)	II ( $\leq 4000$ m)
Overvoltage category (IEC 61010-2-201)	II ( $\leq 4000$ m)
Degree of pollution	2

## Life expectancy (electrolytic capacitors)

Time	224011 h
------	----------

## Dimensions

### Item dimensions

Width	35 mm
Height	130 mm
Depth	125 mm
Depth (Device depth (DIN rail mounting))	125 mm (Device depth (DIN rail mounting))

### Item dimensions with alternative mounting

Width	123 mm
Height	130 mm
Depth	37 mm

### Installation dimensions

Installation distance right/left (active)	5 mm / 5 mm ( $P_{Out} \geq 50\%$ )
Installation distance right/left (passive)	0 mm / 0 mm ( $P_{Out} \geq 50\%$ )
Installation distance right/left (active, passive)	0 mm / 0 mm ( $P_{Out} \leq 50\%$ )
Installation distance top/bottom (active)	50 mm / 50 mm ( $P_{Out} \geq 50\%$ )
Installation distance top/bottom (passive)	40 mm / 20 mm ( $P_{Out} \geq 50\%$ )
Installation distance top/bottom (active, passive)	40 mm / 20 mm ( $P_{Out} \leq 50\%$ )

## Mounting

Mounting type	DIN rail mounting
Mounting position	On horizontal DIN rail NS 35/7.5 and NS 35/15 acc. to EN 60715

## Material specifications

Flammability rating according to UL 94 (housing / terminal blocks)	V0
Housing material	Metal
Hood version	Stainless steel X6Cr17
Side element version	Aluminum AlMg3

## Environmental and real-life conditions

# QUINT4-UPS/24DC/24DC/5/USB - Uninterruptible power supply



2906991

<https://www.phoenixcontact.com/us/products/2906991>

## Ambient conditions

Degree of protection	IP20
Ambient temperature (operation)	-25 °C ... 70 °C (> 60 °C Derating: 2,5 %/K)
Ambient temperature (storage/transport)	-40 °C ... 85 °C
Ambient temperature (start-up type tested)	-40 °C
Maximum altitude	≤ 4000 m
Climatic class	3K3 (EN 60721)
Max. permissible relative humidity (operation)	≤ 95 % (at 25 °C, non-condensing)
Shock	18 ms, 30g, in each space direction (according to IEC 60068-2-27)
Vibration (operation)	2.3g

## Standards and regulations

### Protective extra-low voltage

Standard designation	Protective extra-low voltage
Standards/specifications	IEC 61010-1 (SELV)
	IEC 61010-2-201 (PELV)

## Approvals

### UL

Identification	UL/C-UL Listed UL 61010-1
----------------	---------------------------

### UL

Identification	UL/C-UL Listed UL 61010-2-201
----------------	-------------------------------

### UL

Identification	UL/C-UL Listed ANSI/ISA-12.12.01 Class I, Division 2, Groups A, B, C, D T4 (Hazardous Location)
----------------	---

### CSA

Identification	CAN/CSA-C22.2 No. 61010-1-12
----------------	------------------------------

### CSA

Identification	CAN/CSA-IEC 61010-2-201
----------------	-------------------------

### CSA

Identification	CAN/CSA-C22.2 No. 213 Class I, Division 2, Groups A, B, C, D T4 (Hazardous Location)
----------------	--

### CB scheme

Identification	IEC 61010-1
----------------	-------------

### CB scheme

Identification	IEC 61010-2-201
----------------	-----------------

### DNV

# QUINT4-UPS/24DC/24DC/5/USB - Uninterruptible power supply



2906991

<https://www.phoenixcontact.com/us/products/2906991>

Identification	Class Guideline DNVGL-CG-0339
Note	Location classes: Temperature D (see Application/Limitation), Humidity B, Vibration A/C, EMC B

## EMC data

Electromagnetic compatibility	Conformance with EMC Directive 2014/30/EU
Low Voltage Directive	Conformance with Low Voltage Directive 2014/35/EC
EMC requirements for noise emission	EN 61000-6-3
	EN 61000-6-4
EMC requirements for noise immunity	EN 61000-6-1
	EN 61000-6-2
Noise immunity	Immunity in accordance with EN 61000-6-1 (residential), EN 61000-6-2 (industrial), and EN 61000-6-5 (switching devices), IEC/EN 61850-3 (power supply)

### Noise emission

Standards/regulations	Additional basic standard EN 61000-6-5 (immunity in switching devices), IEC/EN 61850-3 (power supply)
-----------------------	---

### Electrostatic discharge

Standards/regulations	EN 61000-4-2
-----------------------	--------------

### Electrostatic discharge

Contact discharge	8 kV (Test Level 4)
Discharge in air	15 kV (Test Level 4)
Comments	Criterion B

### Electromagnetic HF field

Standards/regulations	EN 61000-4-3
-----------------------	--------------

### Electromagnetic HF field

Frequency range	1 GHz ... 6 GHz
Test field strength	10 V/m (Test Level 3)
Frequency range	1 GHz ... 6 GHz
Test field strength	10 V/m (Test Level 3)
Comments	Criterion A

### Fast transients (burst)

Standards/regulations	EN 61000-4-4
-----------------------	--------------

### Fast transients (burst)

Input	4 kV (Test Level 4 - asymmetrical)
Output	4 kV (Test Level 4 - asymmetrical)
Signal	4 kV (Test Level 4 - asymmetrical)
Comments	Criterion B

### Surge voltage load (surge)



# QUINT4-UPS/24DC/24DC/5/USB - Uninterruptible power supply



2906991

<https://www.phoenixcontact.com/us/products/2906991>

Standards/regulations	EN 61000-4-5
-----------------------	--------------

## Surge voltage load (surge)

Input	1 kV (Test Level 3 - symmetrical)
	2 kV (Test Level 3 - asymmetrical)
Output	1 kV (Test Level 3 - symmetrical)
	2 kV (Test Level 3 - asymmetrical)
Signal	1 kV (Test Level 2 - asymmetrical)
Comments	Criterion B

## Conducted interference

Standards/regulations	EN 61000-4-6
-----------------------	--------------

## Conducted interference

Input/output/signal	asymmetrical
Frequency range	0.15 MHz ... 80 MHz
Comments	Criterion A
Voltage	10 V (Test Level 3)

## Power frequency magnetic field

Standards/regulations	EN 61000-4-8
Frequency	16.67 Hz
	50 Hz
	60 Hz
Test field strength	100 A/m
Additional text	60 s
Comments	Criterion A
Frequency	50 Hz
	60 Hz
Frequency range	50 Hz ... 60 Hz
Test field strength	1 kA/m
Additional text	3 s
Frequency	0 Hz
Test field strength	300 A/m
Additional text	DC, 60 s

## Criteria

Criterion A	Normal operating behavior within the specified limits.
Criterion B	Temporary impairment to operational behavior that is corrected by the device itself.

# QUINT4-UPS/24DC/24DC/5/USB - Uninterruptible power supply

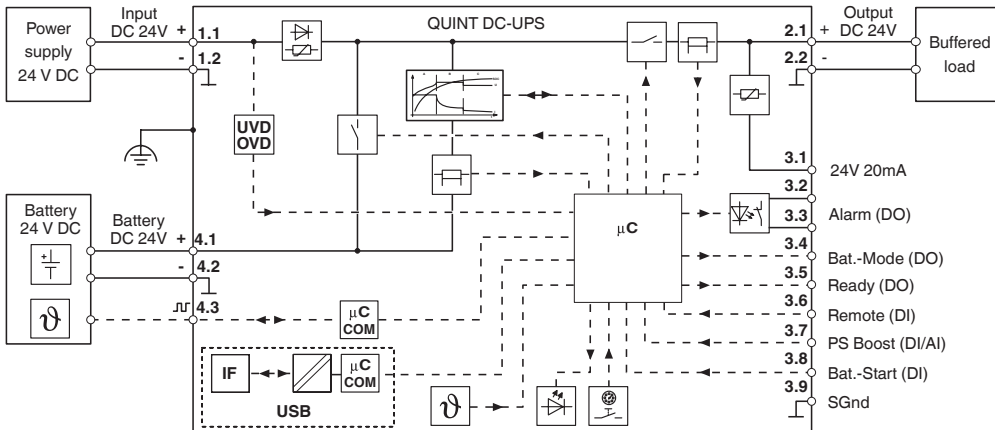


2906991

<https://www.phoenixcontact.com/us/products/2906991>

## Drawings

Block diagram



Block diagram

Graphic

Load Current	Buffertime																																							
	Minutes										Hours																													
	1	2	3	4	5	6	7	8	9	10	20	30	40	45	50	1	2	3	4	5	6	7	8	9	10	12	14	16	18	20	50	100								
1 A																																								
2 A																																								
3 A																																								
5 A																																								
7 A																																								
10 A																																								
15 A																																								
20 A																																								
25 A																																								
30 A																																								
35 A																																								
40 A																																								

2x: In this case, two battery modules of the same capacity are required. The data is based on an ambient temperature of +25 °C at the start of use.

	1274520 UPS-BAT/PB/24DC/1.2AH		1274119 UPS-BAT/PB/24DC/12AH		1474660 UPS-BAT/PB/24DC/110AH
	1274117 UPS-BAT/PB/24DC/4AH		1348516 UPS-BAT/PB/24DC/20AH		
	1274118 UPS-BAT/PB/24DC/7AH		1354641 UPS-BAT/PB/24DC/40AH		

QUINT DC UPS buffer times for PB battery module

# QUINT4-UPS/24DC/24DC/5/USB - Uninterruptible power supply



2906991

<https://www.phoenixcontact.com/us/products/2906991>

Graphic

Load Current	Buffertime																								
	Minutes										Hours														
	1	5	6	7	8	9	10	15	20	25	30	35	40	45	55	1	2	3	4	5	6	7	8	9	10
1 A																									
2 A																									
3 A																									
5 A																									
7 A																									
10 A																									
15 A																									
20 A																									
25 A																									
30 A																									
35 A																									
40 A																									

The data is based on an ambient temperature of +25 °C at the start of use.

- 1460921 UPS-BAT/LI/24DC/64WH
- 1460922 UPS-BAT/LI/24DC/189WH
- 1396415 UPS-BAT/LI/24DC/128WH
- 1460923 UPS-BAT/LI/24DC/284WH

QUINT DC UPS buffer times for LI battery module

Graphic

Load Current	Buffertime																								
	Minutes										Hours														
	10	12	15	20	25	30	35	40	45	50	55	1	2	3	4	5	6	7	8	9	10	12	14	16	18
1 A																									
2 A																									
3 A																									
5 A																									
7 A																									
10 A																									
15 A																									
20 A																									
25 A																									
30 A																									
35 A																									
40 A																									

The data is based on an ambient temperature of +25 °C at the start of use.

- 2320416 UPS-BAT/VRLA-WTR/24DC/13AH
- 2320429 UPS-BAT/VRLA-WTR/24DC/26AH

QUINT DC UPS buffer times and VRLA-WTR battery module

# QUINT4-UPS/24DC/24DC/5/USB - Uninterruptible power supply



2906991

<https://www.phoenixcontact.com/us/products/2906991>

## Approvals

To download certificates, visit the product detail page: <https://www.phoenixcontact.com/us/products/2906991>



**EAC**

Approval ID: RU S-DE.BL08.W.00764



**UL Listed**

Approval ID: E123528



**cUL Listed**

Approval ID: E123528



**EAC**

Approval ID: RU-DE.B.00184/20

**DNV**

Approval ID: TAA00001YD



**KC**

Approval ID: R-R-PCK-2906991



**LR**

Approval ID: LR21417906TA-01



**NK**

Approval ID: TA22372M



**BV**

Approval ID: 69394/A1 BV



**RINA**

Approval ID: ELE382621XG

**ABS**

Approval ID: 23-2416092-PDA

# QUINT4-UPS/24DC/24DC/5/USB - Uninterruptible power supply



2906991

<https://www.phoenixcontact.com/us/products/2906991>



## IECEE CB Scheme

Approval ID: DK-68191-M1-UL



## cUL Listed

Approval ID: E199827



## UL Listed

Approval ID: E199827

# QUINT4-UPS/24DC/24DC/5/USB - Uninterruptible power supply



2906991

<https://www.phoenixcontact.com/us/products/2906991>

## Classifications

### ECLASS

ECLASS-13.0	27040705
ECLASS-15.0	27040705

### ETIM

ETIM 10.0	EC000382
-----------	----------

### UNSPSC

UNSPSC 21.0	39121000
-------------	----------

# QUINT4-UPS/24DC/24DC/5/USB - Uninterruptible power supply



2906991

<https://www.phoenixcontact.com/us/products/2906991>

## Environmental product compliance

### EU RoHS

Fulfills EU RoHS substance requirements	Yes
Exemption	7(a), 7(c)-I

### China RoHS

Environment friendly use period (EFUP)	EFUP-25
	An article-related China RoHS declaration table can be found in the download area for the respective article under "Manufacturer declaration". For all articles with EFUP-E, no China RoHS declaration table issued and required.

### EU REACH SVHC

REACH candidate substance (CAS No.)	Diboron trioxide(CAS: 1303-86-2)
	Lead(CAS: 7439-92-1)
SCIP	bab5c7da-dd2b-421b-b2e7-d7fad6ebb1c8

### EF3.1 Climate Change

CO2e kg	18.75 kg CO2e
---------	---------------

Phoenix Contact 2026 © - all rights reserved  
<https://www.phoenixcontact.com>

Phoenix Contact USA  
586 Fulling Mill Road  
Middletown, PA 17057, United States  
(+717) 944-1300  
[info@phoenixcon.com](mailto:info@phoenixcon.com)