

PLC-ASC-UI-OUT - Analog module



2906920

<https://www.phoenixcontact.com/us/products/2906920>

Please be informed that the data shown in this PDF document is generated from our online catalog. Please find the complete data in the user documentation. Our general terms of use for downloads are valid.



Analog output module for PLC logic modules (Generation 2 only), single-channel, signal type (4 mA ... 20 mA, 0 mA ... 20 mA, 0 V ... 10 V, 2 V ... 10 V) can be configured via DIP switch, screw connection

Commercial data

Item number	2906920
Packing unit	1 pc
Minimum order quantity	1 pc
Sales key	C424
Product key	DK2622
GTIN	4055626155517
Weight per piece (including packing)	79.6 g
Weight per piece (excluding packing)	50.3 g
Customs tariff number	85389099
Country of origin	DE

PLC-ASC-UI-OUT - Analog module



2906920

<https://www.phoenixcontact.com/us/products/2906920>

Technical data

Notes

Notes on operation	For proper use, the specifications of the installation directive (see Downloads) must be observed. For applications or use with third-party products, the specifications, and the safety and warning instructions of the respective third-party manufacturer must also be met.
--------------------	--

Product properties

Product type	Extension module
Product family	PLC logic
Operating mode	100% operating factor

Insulation characteristics: Air clearances and creepage distances

Insulation	Basic insulation
Overvoltage category	III
Pollution degree	2

Electrical properties

Air clearances and creepage distances

Rated insulation voltage	50 V
Rated surge voltage	0.5 kV

Supply

Rated control circuit supply voltage U_S	24 V DC
Rated control supply voltage range with reference to U_S	0.8 ... 1.1
Rated control supply current I_S	≤ 28 mA
Protective circuit	Reverse polarity protection
	Surge protection

Input data

Digital input

Rated actuating voltage U_C	24 V DC
Rated actuating current I_C	≤ 1 mA

Output data

Analog

Output name	Analog voltage output
Number of outputs	1
Voltage output signal	0 V ... 10 V
	2 V ... 10 V
Maximum output voltage	12.3 V
Ripple	< 20 mV _{PP}

PLC-ASC-UI-OUT - Analog module



2906920

<https://www.phoenixcontact.com/us/products/2906920>

Load/output load voltage output	10 kΩ
Surge voltage protection	> 33 V
Maximum transmission error	1 %
Resolution	10 bit (scaled to 0 to 1000)
Protective circuit	Surge protection

Analog

Output name	Analog output for current
Number of outputs	1
Current output signal	0 mA ... 20 mA 4 mA ... 20 mA
Maximum output current	24.6 mA
Load/output load current output	500 Ω (20 mA)
Surge voltage protection	> 33 V
Maximum transmission error	1 %
Resolution	10 bit
Protective circuit	Surge protection

Connection data

Connection method	Screw connection
Stripping length	8 mm
Screw thread	M3
Conductor cross-section rigid	0.14 mm ² ... 2.5 mm ²
Conductor cross-section flexible	0.14 mm ² ... 2.5 mm ² 0.2 mm ² ... 2.5 mm ² (Single ferrule) 2x 0.5 mm ² ... 1.5 mm ² (TWIN ferrule)
Conductor cross-section AWG	26 ... 14
Tightening torque	0.45 Nm ... 0.55 Nm (Usually these terminal blocks must be supported during conductor connection (held by one hand, supported on the housing))

Signaling

Operating voltage display	Green LED
Error indication	Red LED

Dimensions

Width	6.2 mm
Height	80 mm
Depth	94 mm

Material specifications

Color	gray (RAL 7042)
-------	-----------------

Environmental and real-life conditions

Ambient conditions

PLC-ASC-UI-OUT - Analog module



2906920

<https://www.phoenixcontact.com/us/products/2906920>

Degree of protection	IP20
Ambient temperature (operation)	-20 °C ... 50 °C
Ambient temperature (storage/transport)	-20 °C ... 70 °C

Approvals

CE

Certificate	CE-compliant
-------------	--------------

UL, USA/Canada

Identification	UL 508 Listed
----------------	---------------

Standards and regulations

Air clearances and creepage distances

Standards/regulations	DIN EN 50178
-----------------------	--------------

Mounting

Mounting type	DIN rail mounting
Assembly note	in rows with zero spacing
Mounting position	any

PLC-ASC-UI-OUT - Analog module

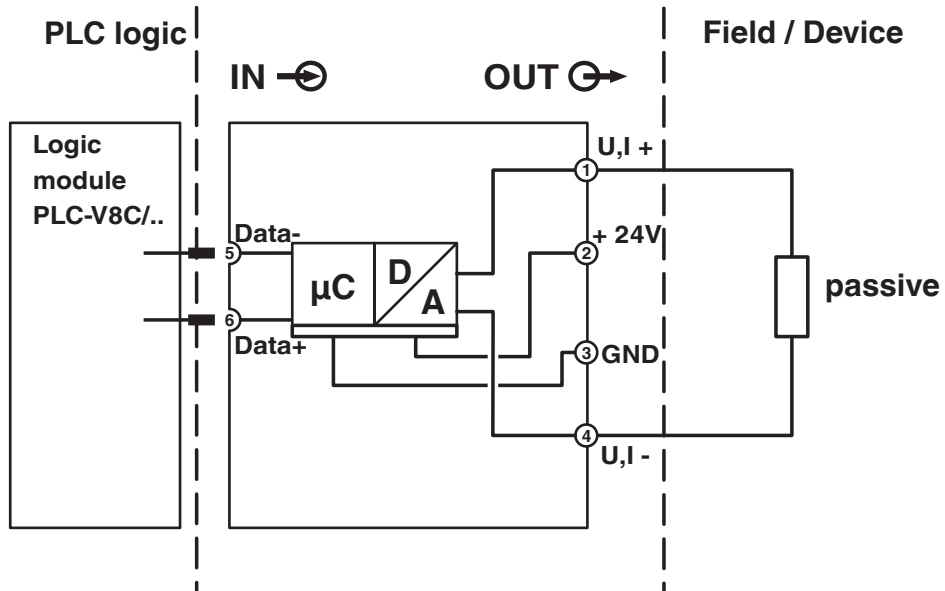
2906920

<https://www.phoenixcontact.com/us/products/2906920>



Drawings

Block diagram



PLC-ASC-UI-OUT - Analog module



2906920

<https://www.phoenixcontact.com/us/products/2906920>

Classifications

ECLASS

ECLASS-13.0

27242201

ETIM

ETIM 9.0

EC001420

UNSPSC

UNSPSC 21.0

32151600

PLC-ASC-UI-OUT - Analog module



2906920

<https://www.phoenixcontact.com/us/products/2906920>

Environmental product compliance

EU RoHS

Fulfills EU RoHS substance requirements	Yes
Exemption	7(a), 7(c)-I

China RoHS

Environment friendly use period (EFUP)	EFUP-50
	An article-related China RoHS declaration table can be found in the download area for the respective article under "Manufacturer declaration". For all articles with EFUP-E, no China RoHS declaration table issued and required.

EU REACH SVHC

REACH candidate substance (CAS No.)	Lead(CAS: 7439-92-1)
SCIP	26eabfa5-a862-4366-b120-69a476bec974

Phoenix Contact 2026 © - all rights reserved

<https://www.phoenixcontact.com>

Phoenix Contact USA
586 Fulling Mill Road
Middletown, PA 17057, United States
(+717) 944-1300
info@phoenixcon.com