

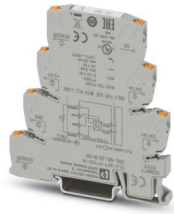
# PLC-APT-PT100-IN - Analog module



2906919

<https://www.phoenixcontact.com/us/products/2906919>

Please be informed that the data shown in this PDF document is generated from our online catalog. Please find the complete data in the user documentation. Our general terms of use for downloads are valid.



Pt 100/Pt 1000 temperature transducer for PLC logic modules (Generation 2 only), single-channel, signal type (Pt 100, Pt 1000) can be configured via DIP switch, Push-in connection

## Commercial data

Item number	2906919
Packing unit	1 pc
Minimum order quantity	1 pc
Sales key	C424
Product key	DK2622
GTIN	4055626155500
Weight per piece (including packing)	73 g
Weight per piece (excluding packing)	50.3 g
Customs tariff number	85389099
Country of origin	DE

## Technical data

### Notes

Notes on operation	For proper use, the specifications of the installation directive (see Downloads) must be observed. For applications or use with third-party products, the specifications, and the safety and warning instructions of the respective third-party manufacturer must also be met.
--------------------	--

### Product properties

Product type	Extension module
Product family	PLC logic
Operating mode	100% operating factor

#### Insulation characteristics: Air clearances and creepage distances

Insulation	Basic insulation
Overvoltage category	III
Pollution degree	2

### Electrical properties

#### Air clearances and creepage distances

Rated insulation voltage	50 V
Rated surge voltage	0.5 kV

#### Supply

Rated control circuit supply voltage $U_S$	24 V DC
Rated control supply voltage range with reference to $U_S$	0.8 ... 1.1
Rated control supply current $I_S$	14 mA
Protective circuit	Reverse polarity protection
	Surge protection

### Input data

#### Analog input resistance

Sensor types (RTD) that can be used	Pt 100 (IEC 60751, $\alpha = 0,00385$ )
Number of inputs	1
Connection technology	2-conductor
Sensor input current	900 $\mu$ A
Temperature measuring range	-50 °C ... 200 °C
Maximum temperature coefficient	0.01 %/K
Maximum transmission error	1 %
Surge voltage protection	> 33 V
Resolution	10 bit (scaled to 0 to 1000)

#### Analog input resistance

Sensor types (RTD) that can be used	Pt 1000 (IEC 60751, $\alpha = 0.00385$ )
-------------------------------------	--

# PLC-APT-PT100-IN - Analog module



2906919

<https://www.phoenixcontact.com/us/products/2906919>

Number of inputs	1
Connection technology	2-conductor
Sensor input current	900 $\mu$ A
Temperature measuring range	-50 °C ... 200 °C
Maximum temperature coefficient	0.01 %/K
Maximum transmission error	1 %
Surge voltage protection	> 33 V
Resolution	10 bit (scaled to 0 to 1000)

## Output data

### Digital

Output name	Digital output
Switching voltage range	5 V DC ... 30 V DC
Switching current	$\leq$ 3 mA

## Connection data

Connection method	Push-in connection
Stripping length	10 mm
Number of connections	4
Conductor cross-section rigid	0.14 mm <sup>2</sup> ... 2.5 mm <sup>2</sup>
Conductor cross-section flexible	0.14 mm <sup>2</sup> ... 2.5 mm <sup>2</sup>
Conductor cross-section AWG	26 ... 14

## Signaling

Operating voltage display	Green LED
Error indication	Red LED

## Dimensions

Width	6.2 mm
Height	80 mm
Depth	94 mm

## Material specifications

Color	gray (RAL 7042)
-------	-----------------

## Environmental and real-life conditions

### Ambient conditions

Degree of protection	IP20
Ambient temperature (operation)	-20 °C ... 60 °C
Ambient temperature (storage/transport)	-20 °C ... 70 °C

## Approvals

CE

# PLC-APT-PT100-IN - Analog module



2906919

<https://www.phoenixcontact.com/us/products/2906919>

Certificate	CE-compliant
UL, USA/Canada	
Identification	UL 508 Listed

## Standards and regulations

Air clearances and creepage distances

Standards/regulations	DIN EN 50178
-----------------------	--------------

## Mounting

Mounting type	DIN rail mounting
Assembly note	in rows with zero spacing
Mounting position	any

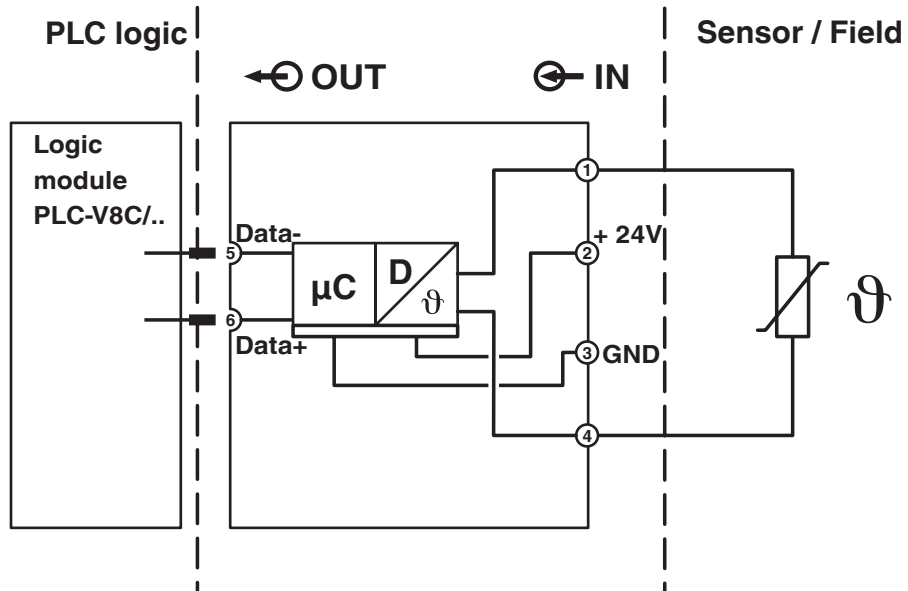
# PLC-APT-PT100-IN - Analog module

2906919

<https://www.phoenixcontact.com/us/products/2906919>

## Drawings

Block diagram



# PLC-APT-PT100-IN - Analog module



2906919

<https://www.phoenixcontact.com/us/products/2906919>

## Approvals

To download certificates, visit the product detail page: <https://www.phoenixcontact.com/us/products/2906919>



**EAC**

Approval ID: RU\*DE.\*08.B.01517/19



**UL Listed**

Approval ID: E238705



**cUL Listed**

Approval ID: E238705

# PLC-APT-PT100-IN - Analog module



2906919

<https://www.phoenixcontact.com/us/products/2906919>

## Classifications

### ECLASS

ECLASS-13.0	27242201
ECLASS-15.0	27242201

### ETIM

ETIM 10.0	EC001420
-----------	----------

### UNSPSC

UNSPSC 21.0	32151600
-------------	----------

2906919

<https://www.phoenixcontact.com/us/products/2906919>

## Environmental product compliance

### EU RoHS

Fulfills EU RoHS substance requirements	Yes
Exemption	7(a), 7(c)-I

### China RoHS

Environment friendly use period (EFUP)	EFUP-50
	An article-related China RoHS declaration table can be found in the download area for the respective article under "Manufacturer declaration". For all articles with EFUP-E, no China RoHS declaration table issued and required.

### EU REACH SVHC

REACH candidate substance (CAS No.)	Lead(CAS: 7439-92-1)
	2,2',6,6'-tetrabromo-4,4'-isopropylidenediphenol(CAS: 79-94-7)
SCIP	9b8eefa1-17ef-4128-be9a-cd6923b16263

Phoenix Contact 2026 © - all rights reserved  
<https://www.phoenixcontact.com>

Phoenix Contact USA  
586 Fulling Mill Road  
Middletown, PA 17057, United States  
(+717) 944-1300  
[info@phoenixcon.com](mailto:info@phoenixcon.com)