

UM-D37M/16R-240AC/DI/C3/L C - Active module



2906914

<https://www.phoenixcontact.com/us/products/2906914>

Please be informed that the data shown in this PDF document is generated from our online catalog. Please find the complete data in the user documentation. Our general terms of use for downloads are valid.



VARIOFACE 16-channel module enhances the capabilities of Honeywell Experion LX digital input IOTA's, enabling the use of (240 V AC) digital input signals with (24 V DC) Experion LX systems

Your advantages

- UM-PRO housing
- DIN rail mounting, includes grounding foot
- Per channel LED (coil) signal indication
- Provides isolation between 240 V field devices and 24 V controller
- Per channel pluggable N/O relay
- Designed to be mounted on the left side of the cabinet

Commercial data

Item number	2906914
Packing unit	1 pc
Minimum order quantity	1 pc
Note	Made to order (non-returnable)
Sales key	NULL
Product key	DK219H
GTIN	4055626164304
Weight per piece (including packing)	608.1 g
Weight per piece (excluding packing)	600 g
Customs tariff number	85371098
Country of origin	US

Technical data

Product properties

Product type	Interface module
No. of channels	16
Operating mode	100% operating factor
Mechanical service life	2x 10 ⁷ cycles
With components	yes

Insulation characteristics

Overvoltage category	II
Pollution degree	2

Electrical properties

Supported controller: HONEYWELL Experion LX Series 8

Suitable I/O card	TDILA1
	TDILB1

Input data

Nominal input voltage U_N	240 V AC
Input voltage range in reference to U_N	0.8 ... 1.1
Typical input current at U_N	3 mA
Typical response time	7 ms
Typical release time	15 ms
Protective circuit	Freewheeling diode; Freewheeling diode
Status display/channel	Yellow LED

Output data

Switching

Contact switching type	1 N/O contact (double contact)
Contact material	AgNi, 5 µm hard gold-plated
Maximum switching voltage	30 V AC
	36 V DC
Minimum switching voltage	100 mV
Limiting continuous current	50 mA
Min. switching current	1 mA

Connection data

Controller level

Connection method	D-SUB connector
Number of connections	1
Number of positions	37

UM-D37M/16R-240AC/DI/C3/L C - Active module



2906914

<https://www.phoenixcontact.com/us/products/2906914>

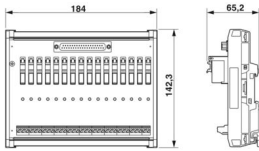
Field level

Connection method	Screw connection
Stripping length	8 mm
Screw thread	M3
Conductor cross-section rigid	0.2 mm ² ... 4 mm ²
Conductor cross-section flexible	0.2 mm ² ... 2.5 mm ²
Conductor cross-section AWG	24 ... 12

Signaling

Status display present	yes
------------------------	-----

Dimensions

Dimensional drawing	
Width	184 mm
Height	142.3 mm
Depth	65.2 mm

Material specifications

Color	black (RAL 9005)
-------	------------------

Environmental and real-life conditions

Ambient conditions

Ambient temperature (operation)	-40 °C ... 60 °C
Ambient temperature (storage/transport)	-40 °C ... 70 °C
Altitude	< 2000 m
Permissible humidity (operation)	< 90 %
Permissible humidity (storage/transport)	< 90 %

Mounting

Mounting type	DIN rail mounting
---------------	-------------------

Notes

Notes on operation	For proper use, the specifications of the installation directive (see Downloads) must be observed. For applications or use with third-party products, the specifications, and the safety and warning instructions of the respective third-party manufacturer must also be met.
--------------------	--

UM-D37M/16R-240AC/DI/C3/L C - Active module

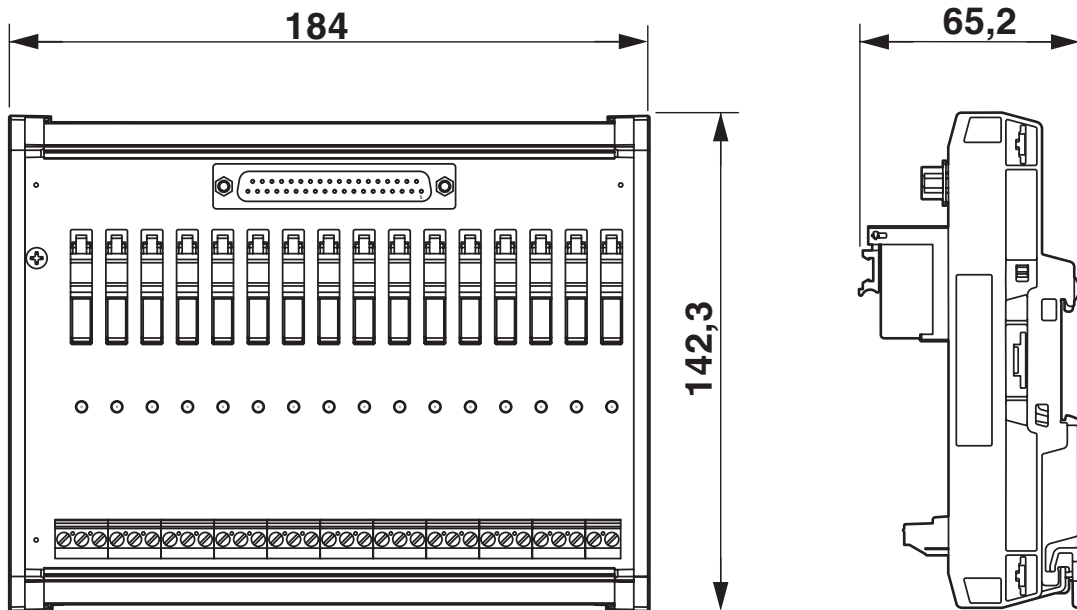


2906914

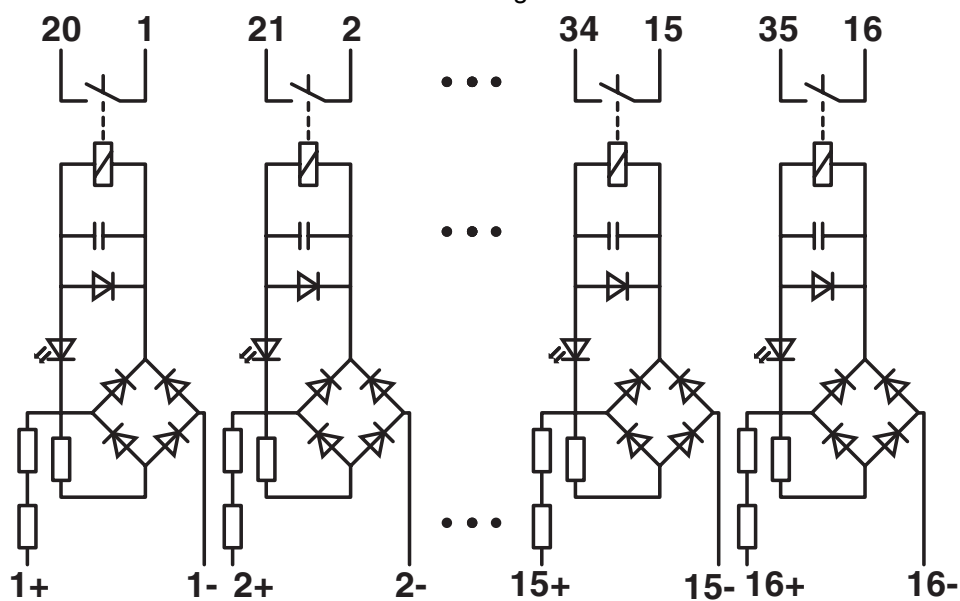
<https://www.phoenixcontact.com/us/products/2906914>

Drawings

Dimensional drawing



Circuit diagram



UM-D37M/16R-240AC/DI/C3/L C - Active module



2906914

<https://www.phoenixcontact.com/us/products/2906914>

Classifications

ECLASS

ECLASS-13.0

27141152

ETIM

ETIM 9.0

EC002780

UNSPSC

UNSPSC 21.0

39121400

2906914

<https://www.phoenixcontact.com/us/products/2906914>

Environmental product compliance

EU RoHS

Fulfills EU RoHS substance requirements	Yes
Exemption	6(c), 7(a), 7(c)-I

China RoHS

Environment friendly use period (EFUP)	EFUP-50
	An article-related China RoHS declaration table can be found in the download area for the respective article under "Manufacturer declaration". For all articles with EFUP-E, no China RoHS declaration table issued and required.

EU REACH SVHC

REACH candidate substance (CAS No.)	Lead(CAS: 7439-92-1)
SCIP	b661d4b0-0db5-434e-bc78-c294b3f744b5

Phoenix Contact 2026 © - all rights reserved

<https://www.phoenixcontact.com>

Phoenix Contact USA
586 Fulling Mill Road
Middletown, PA 17057, United States
(+717) 944-1300
info@phoenixcon.com