

CAB-MSTB32/2XMC9/22/ 0,5M/C3/S - Interface cable



2906874

<https://www.phoenixcontact.com/us/products/2906874>

Please be informed that the data shown in this PDF document is generated from our online catalog. Please find the complete data in the user documentation. Our general terms of use for downloads are valid.

VIP 16-channel cable for use with Honeywell C300 universal I/O, 22 AWG, 0.5 m long



Your advantages

- Splitter cable for connecting two 8-channel VIP base modules to a Honeywell® 16-channel IOTA board assembly
- #22 AWG halogen-free cable
- Locking flanges for securing cables to the modules and IOTA

Commercial data

| | |
|--------------------------------------|--------------------------------|
| Item number | 2906874 |
| Packing unit | 1 pc |
| Minimum order quantity | 1 pc |
| Note | Made to order (non-returnable) |
| Sales key | C480 |
| Product key | DK115B |
| GTIN | 4055626541907 |
| Weight per piece (including packing) | 261.6 g |
| Weight per piece (excluding packing) | 0.2 g |
| Customs tariff number | 85444290 |
| Country of origin | MX |

CAB-MSTB32/2XMC9/22/ 0,5M/C3/S - Interface cable



2906874

<https://www.phoenixcontact.com/us/products/2906874>

Technical data

Product properties

| | |
|----------------|---------------------|
| Product type | System cable |
| Product family | VIP I/O-Marshalling |

Environmental and real-life conditions

Ambient conditions

| | |
|---|---------------------------|
| Ambient temperature (operation) | -40 °C ... 90 °C (static) |
| Ambient temperature (storage/transport) | -40 °C ... 90 °C |

Electrical properties

| | |
|---------------------------|--------------|
| Operating voltage (AC/DC) | ≤ 30 V AC/DC |
| Current (Per path) | ≤ 2 A |

Cable/line

| | |
|---------------------------------|---------------------------------|
| Cable length | 0.5 m |
| Number of positions | 16 |
| Shielded | yes |
| Conductor type | Assembled shielded round cable |
| Conductor structure signal line | 7x |
| AWG signal line | 22 |
| Conductor cross-section | 16x 0.36 mm ² |
| External cable diameter | 8.50 mm |
| Conductor material | Tin-plated Cu litz wires |
| Halogen-free | yes |
| Flame resistance | IEC 60332-1 |
| Cable type | Splitting cable for two modules |

Connection data

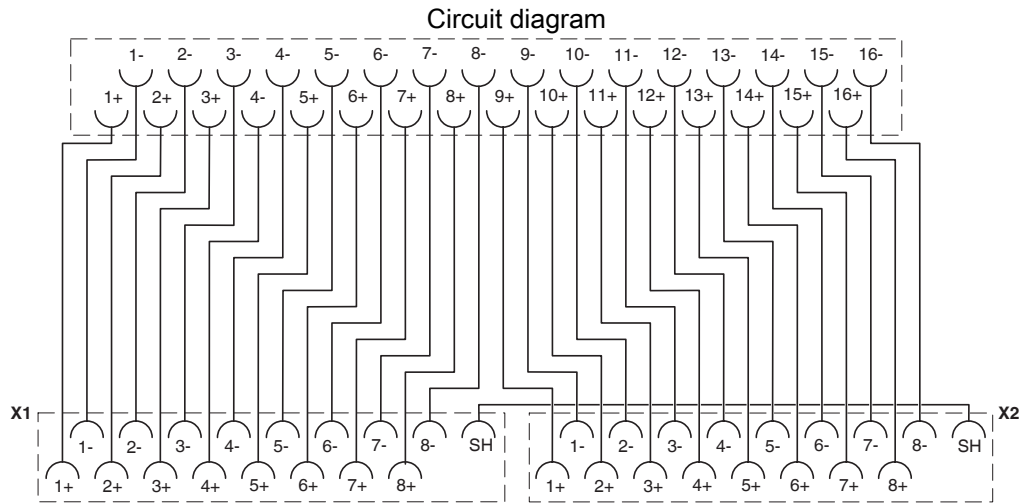
Field level

| | |
|-----------------------|-----------|
| Connection method | pluggable |
| Number of connections | 2 |
| Number of positions | 18 |
| Pitch | 3.81 mm |

Controller level

| | |
|-----------------------|-----------|
| Connection method | pluggable |
| Number of connections | 1 |
| Number of positions | 32 |
| Pitch | 5.08 mm |

Drawings



CAB-MSTB32/2XMC9/22/ 0,5M/C3/S - Interface cable



2906874

<https://www.phoenixcontact.com/us/products/2906874>

Classifications

ECLASS

ECLASS-13.0

27242220

ETIM

ETIM 9.0

EC000237

UNSPSC

UNSPSC 21.0

26121600

CAB-MSTB32/2XMC9/22/ 0,5M/C3/S - Interface cable



2906874

<https://www.phoenixcontact.com/us/products/2906874>

Environmental product compliance

EU RoHS

| | |
|---|--------------------|
| Fulfills EU RoHS substance requirements | Yes, No exemptions |
|---|--------------------|

EU REACH SVHC

| | |
|-------------------------------------|----------------------------|
| REACH candidate substance (CAS No.) | No substance above 0.1 wt% |
|-------------------------------------|----------------------------|

Phoenix Contact 2026 © - all rights reserved

<https://www.phoenixcontact.com>

Phoenix Contact USA
586 Fulling Mill Road
Middletown, PA 17057, United States
(+717) 944-1300
info@phoenixcon.com